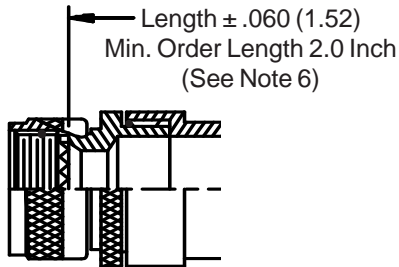
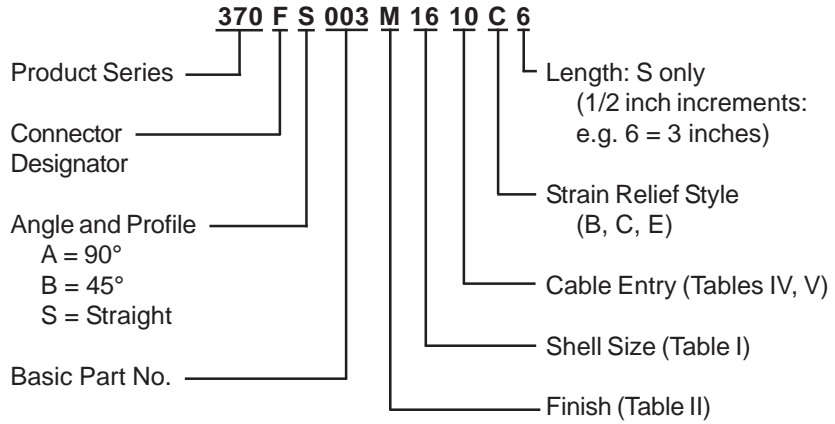
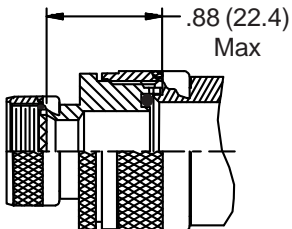
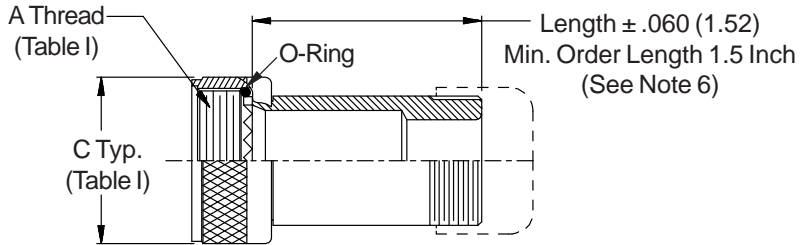


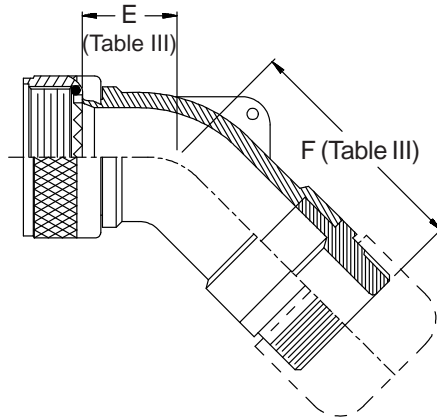
**CONNECTOR
DESIGNATORS
A-F-H-L-S
ROTATABLE
COUPLING**



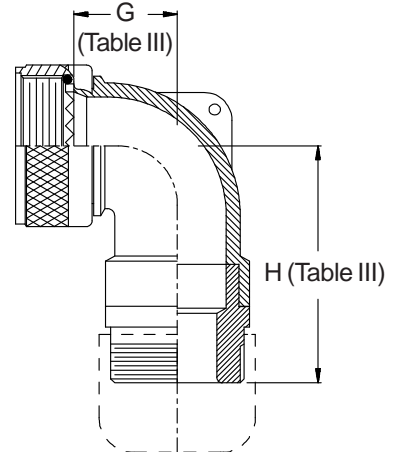
**STYLE 2
(STRAIGHT
See Note 1)**



**STYLE 2
(45° & 90°
See Note 1)**



**STYLE C
Medium Duty
(Table IV)**



**STYLE E
Medium Duty
(Table V)**

**STYLE B
(Table IV)**

