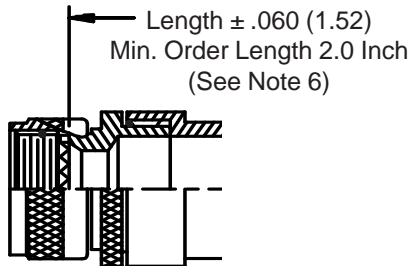
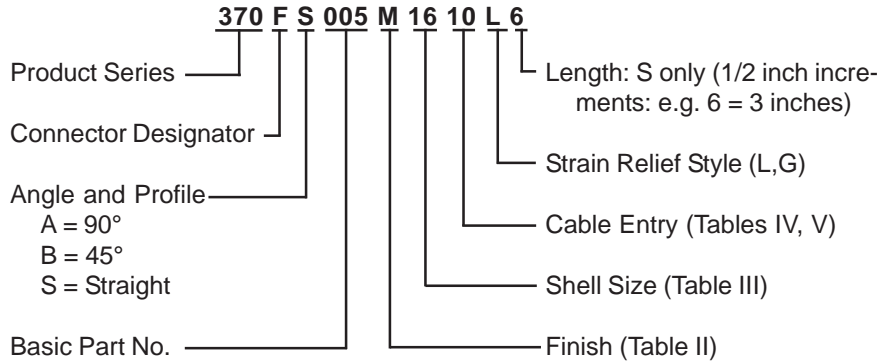
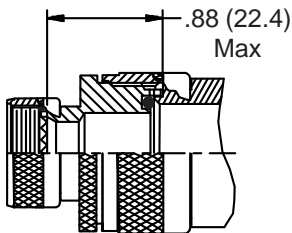
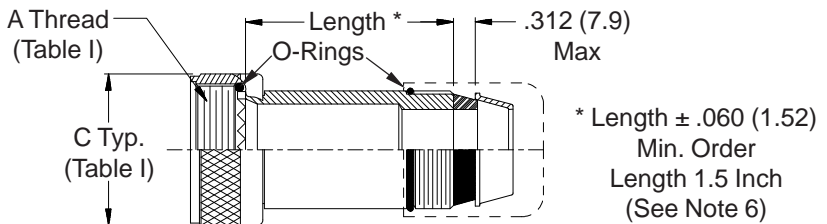


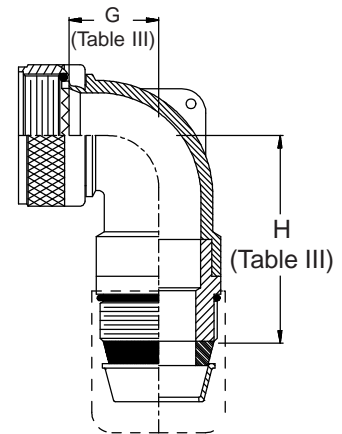
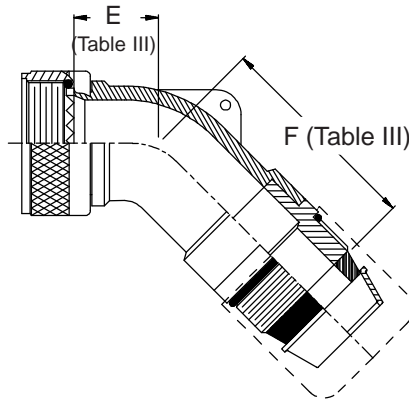
**CONNECTOR
 DESIGNATORS
 A-F-H-L-S**
**ROTATABLE
 COUPLING**



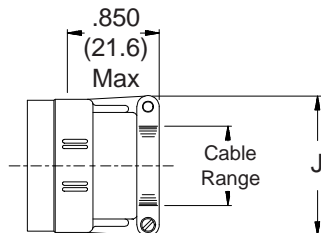
**STYLE 2
 (STRAIGHT
 See Note 1)**



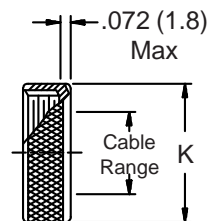
**STYLE 2
 (45° & 90°
 See Note 1)**



**STYLE L
 Light Duty (Table IV)**



**STYLE G
 Light Duty (Table V)**



370-005
Splash-Proof Cable Sealing Backshell
 with Strain Relief
 Low Profile - Rotatable Coupling



See inside back cover fold-out or pages 13 and 14 for unabridged Tables I and II.

TABLE III: ELBOW DIMENSIONS							
Shell Size		E Max	F Max	G Max	H Max	Conn. Desig.	
A-F-L-S	H						
08	09	.457 (11.6)	2.030 (51.6)	.500 (12.7)	2.040 (51.8)		
10	11	.520 (13.2)	2.030 (51.6)	.595 (15.1)	2.040 (51.8)		
12	13	.582 (14.8)	2.090 (53.1)	.610 (15.5)	2.160 (54.9)		
14	15	.645 (16.4)	2.150 (54.6)	.700 (17.8)	2.180 (55.4)		
16	17	.738 (18.7)	2.240 (56.9)	.885 (22.5)	2.250 (57.2)		
18	19	.926 (23.5)	2.340 (59.4)	.975 (24.8)	2.340 (59.4)		
20	21	.926 (23.5)	2.340 (59.4)	.975 (24.8)	2.340 (59.4)		
22	23	1.020 (25.9)	2.540 (64.5)	1.125 (28.6)	2.510 (63.8)		
24	25	1.020 (25.9)	2.540 (64.5)	1.125 (28.6)	2.510 (63.8)		
28		1.145 (29.1)	2.680 (68.1)	1.225 (31.1)	2.620 (66.5)		
32		1.207 (30.7)	2.680 (68.1)	1.575 (40.0)	2.620 (66.5)		
36		1.238 (31.4)	2.680 (68.1)	1.775 (45.1)	2.620 (66.5)		

TABLE IV: CABLE ENTRY				
Dash No.	J Max	Cable Range		
		Min	Max	
01	.781 (19.8)	.062 (1.6)	.125 (3.2)	.125 (3.2)
02	.968 (24.6)	.125 (3.2)	.250 (6.4)	.250 (6.4)
03	1.046 (26.6)	.250 (6.4)	.375 (9.5)	.375 (9.5)
04	1.156 (29.4)	.250 (6.4)	.500 (12.7)	.500 (12.7)
05	1.218 (30.9)	.375 (9.5)	.625 (15.9)	.625 (15.9)
06	1.343 (34.1)	.500 (12.7)	.750 (19.1)	.750 (19.1)
07	1.468 (37.3)	.625 (15.9)	.875 (22.2)	.875 (22.2)
08	1.593 (40.5)	.625 (15.9)	1.000 (25.4)	1.000 (25.4)
09	1.718 (43.6)	.750 (19.1)	1.125 (28.6)	1.125 (28.6)
10	1.843 (46.8)	.875 (22.2)	1.250 (31.8)	1.250 (31.8)

TABLE V: CABLE ENTRY				
Dash No.	K Max	Cable Range		
		Min	Max	
01	.593 (15.1)	.062 (1.6)	.125 (3.2)	.125 (3.2)
02	.718 (18.2)	.125 (3.2)	.250 (6.4)	.250 (6.4)
03	.873 (22.2)	.250 (6.4)	.375 (9.5)	.375 (9.5)
04	.968 (24.6)	.375 (9.5)	.500 (12.7)	.500 (12.7)
05	1.109 (28.2)	.500 (12.7)	.625 (15.9)	.625 (15.9)
06	1.218 (30.9)	.625 (15.9)	.750 (19.1)	.750 (19.1)
07	1.343 (34.1)	.750 (19.1)	.875 (22.2)	.875 (22.2)
08	1.468 (37.3)	.875 (22.2)	1.000 (25.4)	1.000 (25.4)
09	1.593 (40.5)	1.000 (25.4)	1.125 (28.6)	1.125 (28.6)
10	1.718 (43.6)	1.125 (28.6)	1.250 (31.8)	1.250 (31.8)

- When maximum cable entry (page 21) is exceeded, Style 2 will be supplied.
Dimensions E, F, G and H will not apply. Please consult factory.
- Metric dimensions (mm) are indicated in parentheses.
- Cable range is defined as the accommodations range for the wire bundle or cable.
Dimensions shown are not intended for inspection criteria.
- Interface O-Ring not supplied with connector designator A.

TABLE II: STANDARD FINISHES	
GLENAIR	
SYMBOL	FINISH
B	Cadmium Plate, Olive Drab
C	Anodize, Black
G	Hard Coat, Anodic
M	Electroless Nickel
NF	Cadmium Plate, Olive Drab Over Electroless Nickel
See Inside Back Cover for Additional Finish Options	