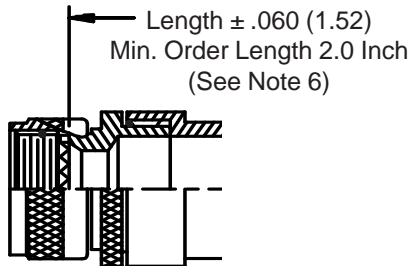
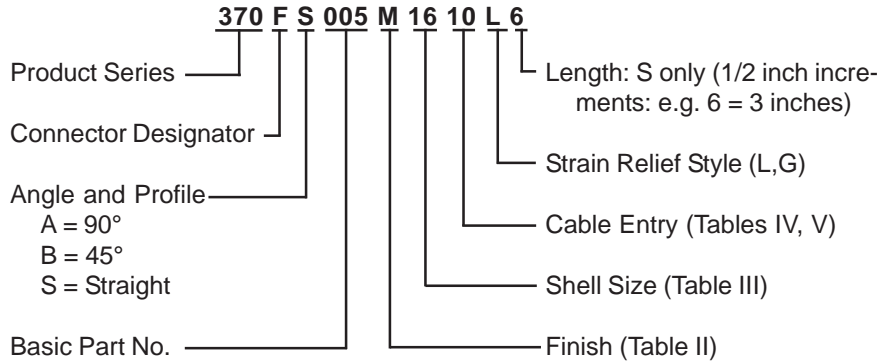
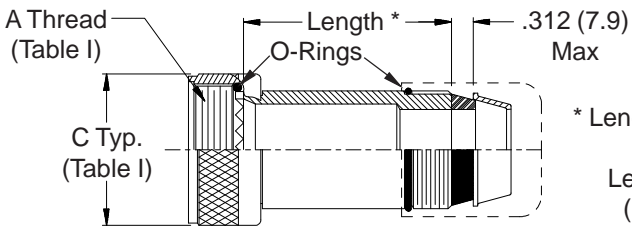


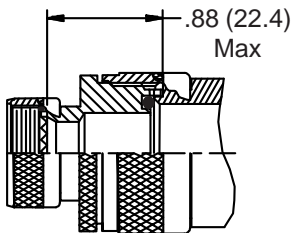
**CONNECTOR  
 DESIGNATORS  
 A-F-H-L-S**  
**ROTATABLE  
 COUPLING**



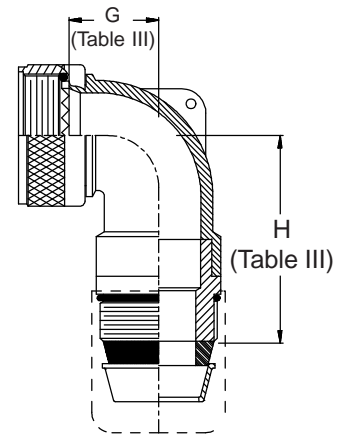
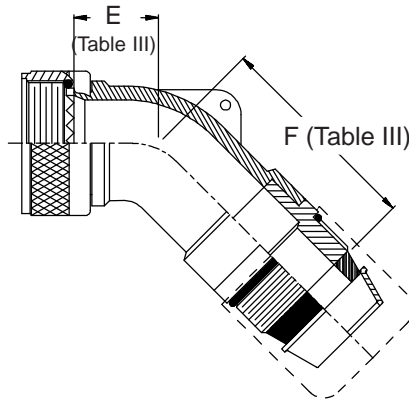
**STYLE 2  
 (STRAIGHT  
 See Note 1)**



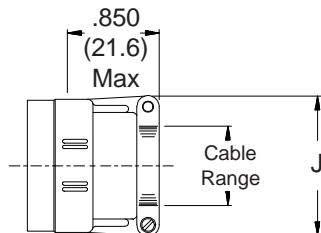
\* Length  $\pm .060$  (1.52)  
 Min. Order Length 1.5 Inch  
 (See Note 6)



**STYLE 2  
 (45° & 90°  
 See Note 1)**



**STYLE L  
 Light Duty (Table IV)**



**STYLE G  
 Light Duty (Table V)**

