

**CONNECTOR
 DESIGNATORS
 A-F-H-L-S
 ROTATABL
 COUPLING**

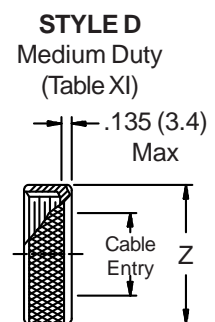
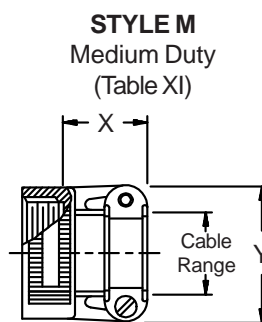
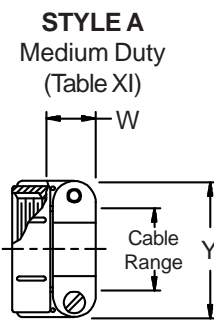
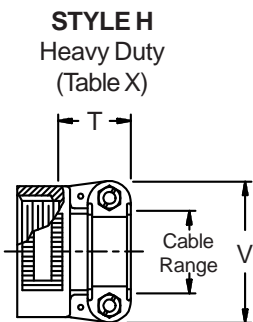
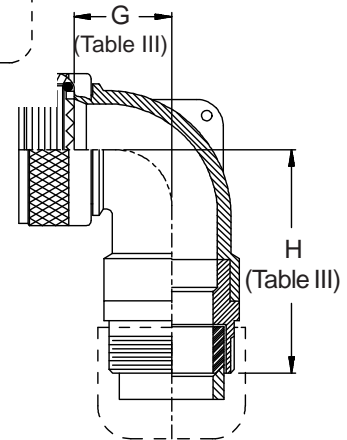


STYLE 2
 (STRAIGHT
 See Note 1)



STYLE 2
 (45° & 90°
 See Note 1)

-445 Now Available with the "NESTOR"
 Glenair's Non-Detent, Spring-Loaded, Self-Locking Coupling.
 Add "-445" to Specify This AS85049 Style "N" Coupling Interface.



370-001
Submersible Cable Sealing Backshell
with Strain Relief
Low Profile - Rotatable Coupling



TABLE III: ELBOW DIMENSIONS

| Shell Size | | E | | F | | G | | H | |
|--------------|----|-------|--------|-------|--------|-------|--------|-------|--------|
| Conn. Desig. | H | Max | | Max | | Max | | Max | |
| A-F-L-S | | | | | | | | | |
| 08 | 09 | .457 | (11.6) | 1.810 | (46.0) | .500 | (12.7) | 1.820 | (46.2) |
| 10 | 11 | .520 | (13.2) | 1.869 | (47.5) | .595 | (15.1) | 1.940 | (49.3) |
| 12 | 13 | .582 | (14.8) | 1.929 | (49.0) | .610 | (15.5) | 1.960 | (49.8) |
| 14 | 15 | .645 | (16.4) | 2.359 | (59.9) | .700 | (17.8) | 2.369 | (60.2) |
| 16 | 17 | .738 | (18.7) | 2.469 | (62.7) | .885 | (22.5) | 2.459 | (62.5) |
| 18 | 19 | .926 | (23.5) | 2.659 | (67.5) | .975 | (24.8) | 2.629 | (66.8) |
| 20 | 21 | .926 | (23.5) | 2.659 | (67.5) | .975 | (24.8) | 2.629 | (66.8) |
| 22 | 23 | 1.020 | (25.9) | 2.872 | (72.9) | 1.125 | (28.6) | 2.802 | (71.2) |
| 24 | 25 | 1.020 | (25.9) | 2.872 | (72.9) | 1.125 | (28.6) | 2.802 | (71.2) |
| 28 | | 1.145 | (29.1) | 2.905 | (73.8) | 1.225 | (31.1) | 2.955 | (75.1) |
| 32 | | 1.207 | (30.7) | 3.005 | (76.3) | 1.575 | (40.0) | 3.205 | (81.4) |
| 36 | | 1.238 | (31.4) | 3.315 | (84.2) | 1.775 | (45.1) | 3.255 | (82.7) |

1. When maximum cable entry (page 21) is exceeded, Style 2 will be supplied. Dimensions E, F, G and H will not apply. Please consult factory.
2. Metric dimensions (mm) are indicated in parentheses.
3. Cable range is defined as the accommodations range for the wire bundle or cable. Dimensions shown are not intended for inspection criteria.
4. Interface O-Ring not supplied with connector designator A.
5. Consult factory for shorter lengths on straight backshells.

TABLE X: CABLE ENTRY

| Dash No. | T Max | V Max | Cable Range | |
|----------|--------------|--------------|--------------|--------------|
| | | | Min | Max |
| 04 | .780 (19.8) | .957 (24.3) | .125 (3.2) | .312 (7.9) |
| 06 | .780 (19.8) | 1.145 (29.1) | .250 (6.4) | .437 (11.1) |
| 08 | .780 (19.8) | 1.332 (33.8) | .387 (9.8) | .562 (14.3) |
| 10 | .780 (19.8) | 1.332 (33.8) | .350 (8.9) | .625 (15.9) |
| 12 | .811 (20.6) | 1.551 (39.4) | .500 (12.7) | .750 (19.1) |
| 16 | .905 (23.0) | 1.770 (45.0) | .625 (15.9) | .937 (23.8) |
| 20 | 1.092 (27.7) | 2.113 (53.7) | .875 (22.2) | 1.250 (31.8) |
| 24 | 1.124 (28.5) | 2.363 (60.0) | 1.000 (25.4) | 1.375 (34.9) |
| 28 | 1.399 (35.5) | 2.770 (70.4) | 1.250 (31.8) | 1.625 (41.3) |
| 32 | 1.399 (35.5) | 3.020 (76.7) | 1.437 (36.5) | 1.875 (47.6) |

See inside back cover fold-out
or pages 13 and 14 for
unabridged Tables I and II.

TABLE II: STANDARD FINISHES

| GLENAIR | |
|--|--|
| SYMBOL | FINISH |
| B | Cadmium Plate, Olive Drab |
| C | Anodize, Black |
| G | Hard Coat, Anodic |
| M | Electroless Nickel |
| NF | Cadmium Plate, Olive Drab Over Electroless Nickel |
| See Inside Back Cover for Additional Finish Options | |

TABLE XI: CABLE ENTRY

| Dash No. | W Max | X Max | Y Max | Z Max | Cable Range | |
|----------|--------------|--------------|--------------|--------------|--------------|--------------|
| | | | | | Min ** | Max |
| 03* | .437 (11.1) | .760 (19.3) | .843 (21.4) | .630 (16.0) | .156 (4.0) | .250 (6.4) |
| 04* | .437 (11.1) | .760 (19.3) | .906 (23.0) | .755 (19.2) | .188 (4.8) | .312 (7.9) |
| 06* | .500 (12.7) | .760 (19.3) | 1.093 (27.8) | .942 (23.9) | .281 (7.1) | .438 (11.1) |
| 08 | .563 (14.3) | .760 (19.3) | 1.187 (30.1) | 1.067 (27.1) | .387 (9.8) | .562 (14.3) |
| 10 | .563 (14.3) | .760 (19.3) | 1.281 (32.5) | 1.192 (30.3) | .375 (9.5) | .625 (15.9) |
| 12 | .563 (14.3) | .760 (19.3) | 1.500 (38.1) | 1.380 (35.1) | .438 (11.1) | .750 (19.1) |
| 16 | .656 (16.7) | 1.073 (27.3) | 1.719 (43.7) | 1.535 (39.0) | .625 (15.9) | .938 (23.8) |
| 20 | .656 (16.7) | 1.323 (33.6) | 2.062 (52.4) | 1.848 (46.9) | .875 (22.2) | 1.250 (31.8) |
| 24 | .656 (16.7) | 1.323 (33.6) | 2.312 (58.7) | 2.255 (57.3) | 1.000 (25.4) | 1.375 (34.9) |
| 28 | 1.188 (30.2) | 1.572 (39.9) | 2.719 (69.1) | 2.505 (63.6) | 1.250 (31.8) | 1.625 (41.3) |
| 32* | 1.187 (30.1) | 1.572 (39.9) | 2.969 (75.4) | 2.755 (70.0) | 1.437 (36.5) | 1.875 (47.6) |
| 40* | 1.125 (28.6) | 1.572 (39.9) | 3.531 (89.7) | 3.255 (82.7) | 1.875 (47.6) | 2.375 (60.3) |

* Not available in Style M clamp.

** Not Applicable Style D