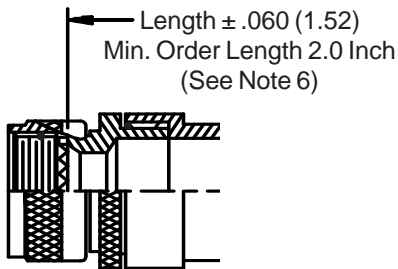
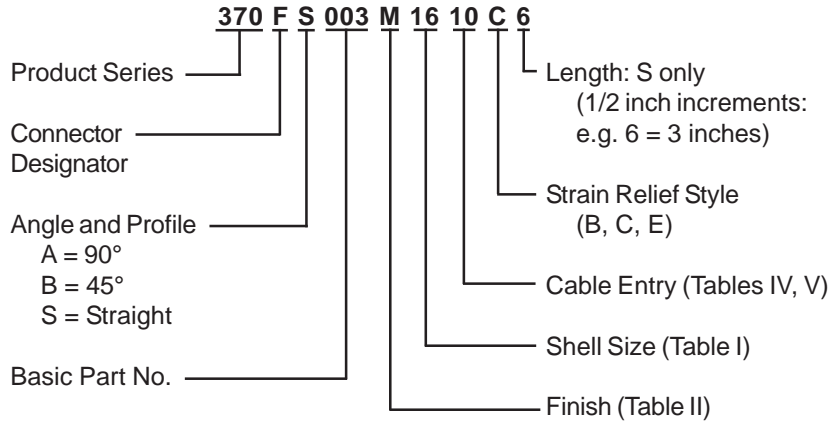
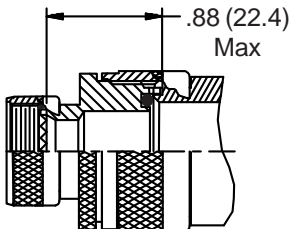


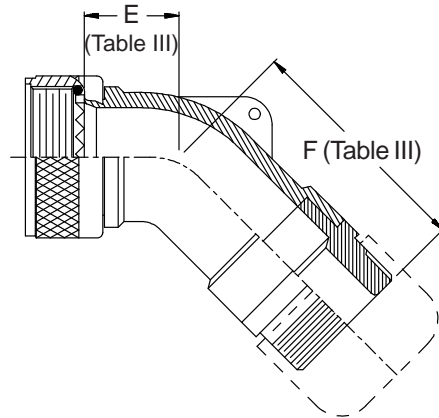
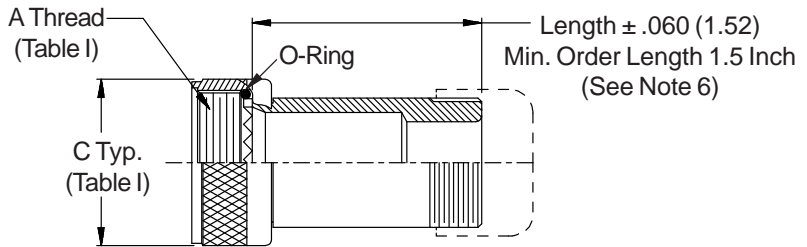
**CONNECTOR
 DESIGNATORS
 A-F-H-L-S
 ROTATABLE
 COUPLING**



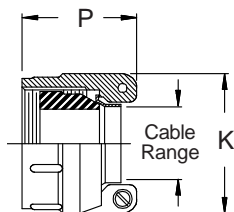
**STYLE 2
 (STRAIGHT
 See Note 1)**



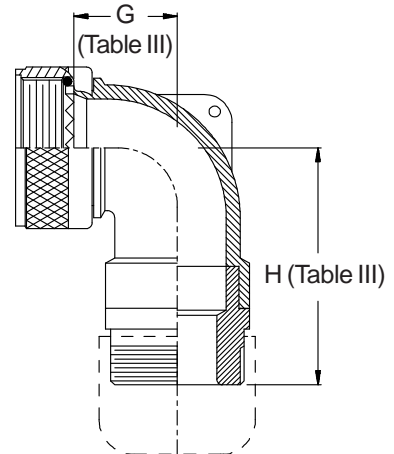
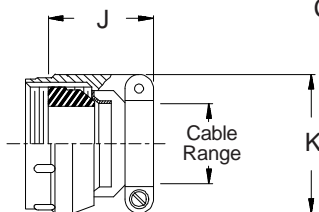
**STYLE 2
 (45° & 90°
 See Note 1)**



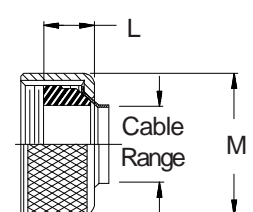
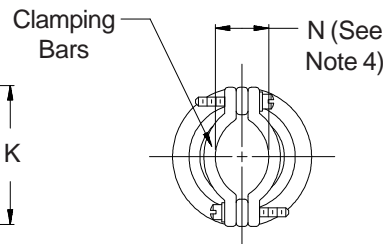
**STYLE B
 (Table IV)**



**STYLE C
 Medium Duty
 (Table IV)**



**STYLE E
 Medium Duty
 (Table V)**



370-003
Water-Tight Cable Sealing Backshell
 with Strain Relief
 Low Profile - Rotatable Coupling



See inside back cover fold-out or pages 13 and 14 for unabridged Tables I and II.

| Dash No. | J | | K | | N | | Cable Range | | P | | | |
|----------|-------|--------|-------|--------|-------|--------|-------------|--------|-------|--------|-------|--------|
| | Max | | Max | | Ref | | Min | Max | Max | | | |
| 03 | 1.219 | (31.0) | .812 | (20.6) | .135 | (3.4) | .156 | (4.0) | .219 | (5.6) | 1.031 | (26.2) |
| 04 | 1.219 | (31.0) | .937 | (23.8) | .203 | (5.2) | .188 | (4.8) | .312 | (7.9) | 1.031 | (26.2) |
| 06 | 1.219 | (31.0) | 1.062 | (27.0) | .285 | (7.2) | .281 | (7.1) | .438 | (11.1) | 1.031 | (26.2) |
| 08 | 1.219 | (31.0) | 1.188 | (30.2) | .350 | (8.9) | .312 | (7.9) | .531 | (13.5) | 1.031 | (26.2) |
| 10 | 1.281 | (32.5) | 1.312 | (33.3) | .390 | (9.9) | .375 | (9.5) | .625 | (15.9) | 1.094 | (27.8) |
| 12 | 1.281 | (32.5) | 1.562 | (39.7) | .460 | (11.7) | .500 | (12.7) | .750 | (19.1) | 1.219 | (31.0) |
| 16 | 1.406 | (35.7) | 1.750 | (44.5) | .510 | (13.0) | .625 | (15.9) | .938 | (23.8) | 1.219 | (31.0) |
| 20 | 1.656 | (42.1) | 2.250 | (57.2) | .695 | (17.7) | .938 | (23.8) | 1.250 | (31.8) | 1.344 | (34.1) |
| 24 | 1.906 | (48.4) | 2.375 | (60.3) | .715 | (18.2) | 1.000 | (25.4) | 1.375 | (34.9) | 1.547 | (39.3) |
| 28 | 1.906 | (48.4) | 2.625 | (66.7) | .915 | (23.2) | 1.250 | (31.8) | 1.625 | (41.3) | 1.547 | (39.3) |
| 32 | 2.000 | (50.8) | 2.812 | (71.4) | 1.070 | (27.2) | 1.500 | (38.1) | 1.875 | (47.6) | 1.734 | (44.0) |

| Shell Size Conn. Desig. | | E | | F | | G | | H | |
|-------------------------|----|-------|--------|-------|--------|-------|--------|-------|--------|
| A-F-L-S | H | Max | | Max | | Max | | Max | |
| 08 | 09 | .457 | (11.6) | 1.810 | (46.0) | .500 | (12.7) | 1.820 | (46.2) |
| 10 | 11 | .520 | (13.2) | 1.869 | (47.5) | .595 | (15.1) | 1.940 | (49.3) |
| 12 | 13 | .582 | (14.8) | 1.929 | (49.0) | .610 | (15.5) | 1.960 | (49.8) |
| 14 | 15 | .645 | (16.4) | 2.359 | (59.9) | .700 | (17.8) | 2.369 | (60.2) |
| 16 | 17 | .738 | (18.7) | 2.469 | (62.7) | .885 | (22.5) | 2.459 | (62.5) |
| 18 | 19 | .926 | (23.5) | 2.659 | (67.5) | .975 | (24.8) | 2.629 | (66.8) |
| 20 | 21 | .926 | (23.5) | 2.659 | (67.5) | .975 | (24.8) | 2.629 | (66.8) |
| 22 | 23 | 1.020 | (25.9) | 2.872 | (72.9) | 1.125 | (28.6) | 2.802 | (71.2) |
| 24 | 25 | 1.020 | (25.9) | 2.872 | (72.9) | 1.125 | (28.6) | 2.802 | (71.2) |
| 28 | | 1.145 | (29.1) | 2.905 | (73.8) | 1.225 | (31.1) | 2.955 | (75.1) |
| 32 | | 1.207 | (30.7) | 3.005 | (76.3) | 1.575 | (40.0) | 3.205 | (81.4) |
| 36 | | 1.238 | (31.4) | 3.315 | (84.2) | 1.775 | (45.1) | 3.255 | (82.7) |

| GLENAIR SYMBOL | FINISH |
|---|---|
| B | Cadmium Plate, Olive Drab |
| C | Anodize, Black |
| G | Hard Coat, Anodic |
| M | Electroless Nickel |
| NF | Cadmium Plate, Olive Drab Over Electroless Nickel |
| See Inside Back Cover for Additional Finish Options | |

1. When maximum cable entry (page 21) is exceeded, Style 2 will be supplied. Dimensions E, F, G and H will not apply. Please consult factory.
2. Metric dimensions (mm) are indicated in parentheses.
3. Cable range is defined as the accommodations range for the wire bundle or cable. Dimensions shown are not intended for inspection criteria.
4. Saddles are bottomed on Clamp Ears.
5. Interface O-Ring not supplied with Connector Designator A.
6. Consult factory for shorter lengths on straight backshells.

| Dash No. | L | | M | | Cable Range | | | |
|----------|-------|--------|-------|--------|-------------|--------|-------|--------|
| | Max | | Max | | Min | Max | | |
| 03 | .739 | (18.8) | .812 | (20.6) | .156 | (4.0) | .219 | (5.6) |
| 04 | .739 | (18.8) | .937 | (23.8) | .188 | (4.8) | .312 | (7.9) |
| 06 | .739 | (18.8) | 1.062 | (27.0) | .281 | (7.1) | .438 | (11.1) |
| 08 | .739 | (18.8) | 1.188 | (30.2) | .312 | (7.9) | .531 | (13.5) |
| 10 | .791 | (20.1) | 1.312 | (33.3) | .375 | (9.5) | .625 | (15.9) |
| 12 | .880 | (22.4) | 1.562 | (39.7) | .500 | (12.7) | .750 | (19.1) |
| 16 | .901 | (22.9) | 1.750 | (44.5) | .625 | (15.9) | .938 | (23.8) |
| 20 | 1.031 | (26.2) | 2.250 | (57.2) | .938 | (23.8) | 1.250 | (31.8) |
| 24 | 1.250 | (31.8) | 2.375 | (60.3) | 1.000 | (25.4) | 1.375 | (34.9) |
| 28 | 1.250 | (31.8) | 2.625 | (66.7) | 1.250 | (31.8) | 1.625 | (41.3) |
| 32 | 1.312 | (33.3) | 2.812 | (71.4) | 1.500 | (38.1) | 1.875 | (47.6) |