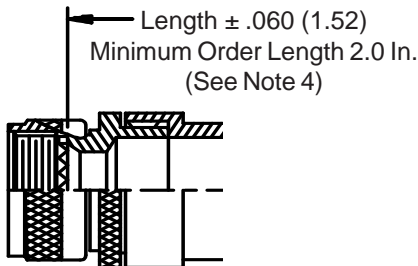
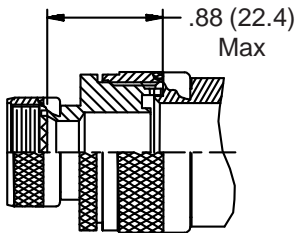


380-001
EMI/RFI Non-Environmental Backshell
with Strain Relief
Type A - Rotatable Coupling - Low Profile

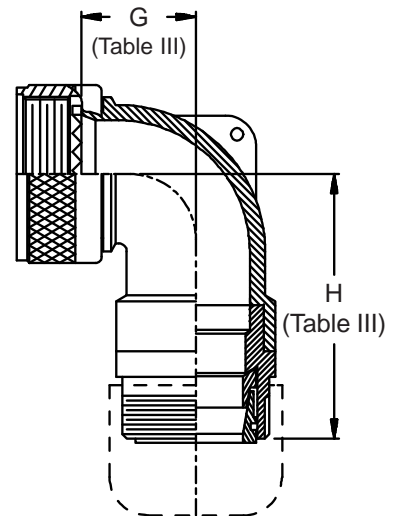
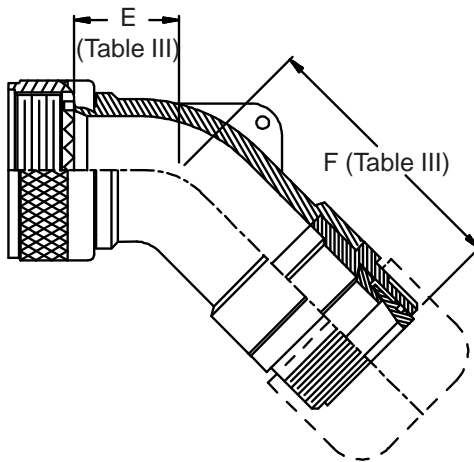
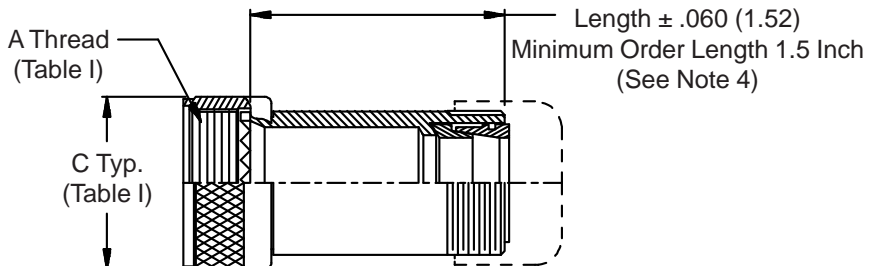
CONNECTOR DESIGNATOR
A-F-H-L-S
ROTATABLE COUPLING
TYPE A OVERALL SHIELD TERMINATION



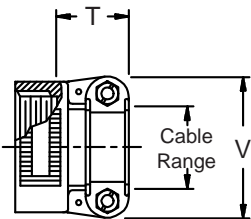
STYLE 2
(STRAIGHT
See Note 1)



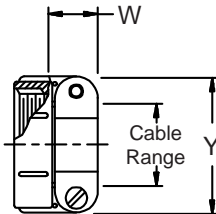
STYLE 2
(45° & 90°
See Note 1)



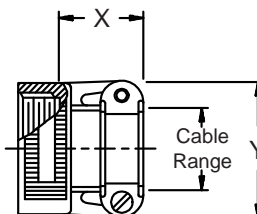
STYLE H
Heavy Duty
(Table X)



STYLE A
Medium Duty
(Table XI)



STYLE M
Medium Duty
(Table XI)



STYLE D
Medium Duty
(Table XI)

