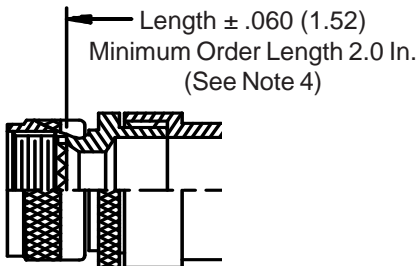
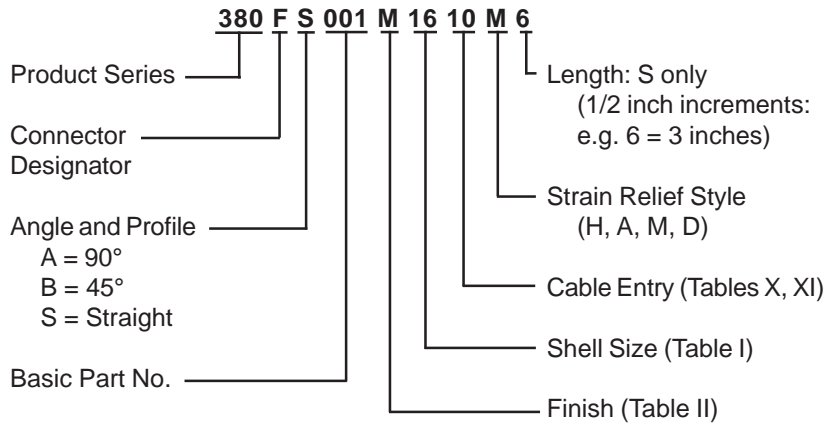


**380-001**  
**EMI/RFI Non-Environmental Backshell**  
**with Strain Relief**  
**Type A - Rotatable Coupling - Low Profile**

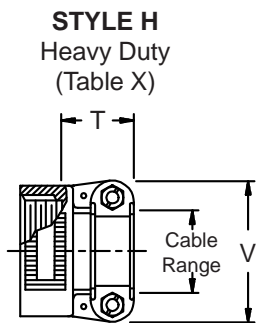
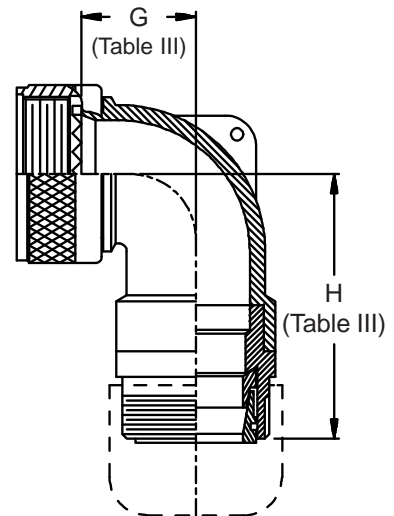
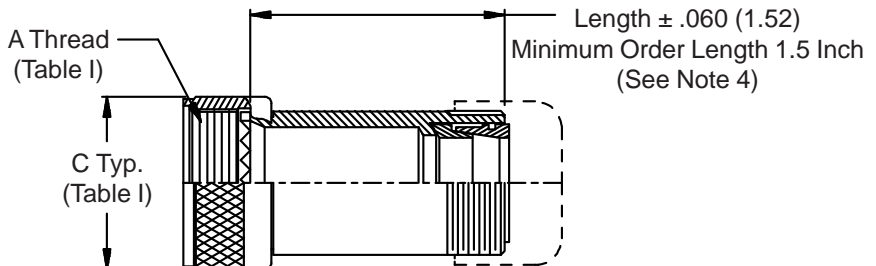
**CONNECTOR DESIGNATOR**  
**A-F-H-L-S**  
**ROTATABLE COUPLING**  
**TYPE A OVERALL SHIELD TERMINATION**



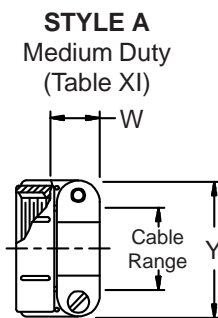
**STYLE 2 (STRAIGHT)**  
 See Note 1)



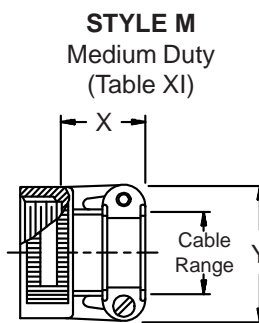
**STYLE 2 (45° & 90°)**  
 See Note 1)



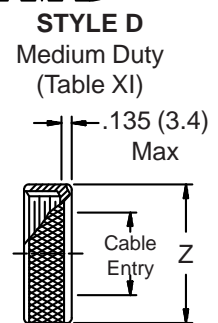
**STYLE H Heavy Duty**  
 (Table X)



**STYLE A Medium Duty**  
 (Table XI)



**STYLE M Medium Duty**  
 (Table XI)



**STYLE D Medium Duty**  
 (Table XI)

**380-001**  
**EMI/RFI Non-Environmental Backshell**  
with Strain Relief  
**Type A - Rotatable Coupling - Low Profile**



**TABLE III: ELBOW DIMENSIONS**

| Shell Size             |    | E     |        | F     |        | G     |        | H     |        |
|------------------------|----|-------|--------|-------|--------|-------|--------|-------|--------|
| Conn. Desig. A-F-L-S H |    | Max   |        | Max   |        | Max   |        | Max   |        |
| 08                     | 09 | .457  | (11.6) | 1.602 | (40.7) | .500  | (12.7) | 1.612 | (40.9) |
| 10                     | 11 | .520  | (13.2) | 1.662 | (42.2) | .595  | (15.1) | 1.732 | (44.0) |
| 12                     | 13 | .582  | (14.8) | 1.722 | (43.7) | .610  | (15.5) | 1.752 | (44.5) |
| 14                     | 15 | .645  | (16.4) | 2.062 | (52.4) | .700  | (17.8) | 2.072 | (52.6) |
| 16                     | 17 | .738  | (18.7) | 2.172 | (55.2) | .885  | (22.5) | 2.162 | (54.9) |
| 18                     | 19 | .926  | (23.5) | 2.362 | (60.0) | .975  | (24.8) | 2.332 | (59.2) |
| 20                     | 21 | .926  | (23.5) | 2.362 | (60.0) | .975  | (24.8) | 2.332 | (59.2) |
| 22                     | 23 | 1.020 | (25.9) | 2.512 | (63.8) | 1.125 | (28.6) | 2.442 | (62.0) |
| 24                     | 25 | 1.020 | (25.9) | 2.512 | (63.8) | 1.125 | (28.6) | 2.442 | (62.0) |
| 28                     |    | 1.145 | (29.1) | 2.562 | (65.1) | 1.225 | (31.1) | 2.612 | (66.3) |
| 32                     |    | 1.207 | (30.7) | 2.662 | (67.6) | 1.575 | (40.0) | 2.862 | (72.7) |
| 36                     |    | 1.238 | (31.4) | 2.752 | (69.9) | 1.775 | (45.1) | 2.862 | (72.7) |

**See inside back cover  
fold-out or pages 13 and  
14 for unabridged  
Tables I and II.**

**TABLE II: STANDARD FINISHES**

| GLENAIR   |   |
|---|---|
| SYMBOL  | FINISH  |
| B   | Cadmium Plate, Olive Drab                         |
| M   | Electroless Nickel                                |
| NF  | Cadmium Plate, Olive Drab Over Electroless Nickel |
| See Inside Back Cover for Additional Finish Options |   |

**TABLE X: CABLE ENTRY**

| Dash No. | T Max        | V Max        | Cable Range  |              |
|----------|--------------|--------------|--------------|--------------|
|          |              |              | Min          | Max          |
| 04       | .780 (19.8)  | .957 (24.3)  | .125 (3.2)   | .312 (7.9)   |
| 06       | .780 (19.8)  | 1.145 (29.1) | .250 (6.4)   | .437 (11.1)  |
| 08       | .780 (19.8)  | 1.332 (33.8) | .312 (7.9)   | .562 (14.3)  |
| 10       | .780 (19.8)  | 1.332 (33.8) | .350 (8.9)   | .625 (15.9)  |
| 12       | .811 (20.6)  | 1.551 (39.4) | .500 (12.7)  | .750 (19.1)  |
| 16       | .905 (23.0)  | 1.770 (45.0) | .625 (15.9)  | .937 (23.8)  |
| 20       | 1.092 (27.7) | 2.113 (53.7) | .875 (22.2)  | 1.250 (31.8) |
| 24       | 1.124 (28.5) | 2.363 (60.0) | 1.000 (25.4) | 1.375 (34.9) |
| 28       | 1.399 (35.5) | 2.770 (70.4) | 1.250 (31.8) | 1.625 (41.3) |
| 32       | 1.399 (35.5) | 3.020 (76.7) | 1.437 (36.5) | 1.875 (47.6) |

1. When maximum cable entry (page 21) is exceeded, Style 2 will be supplied. Dimensions E, F, G and H will not apply. Please consult factory.
2. Metric dimensions (mm) are indicated in parentheses.
3. Cable range is defined as the accommodations range for the wire bundle or cable. Dimensions shown are not intended for inspection criteria.
4. Consult factory for shorter lengths on straight backshells.

**TABLE XI: CABLE ENTRY**

| Dash No. | W Max        | X Max        | Y Max        | Z Max        | Cable Range  |              |
|----------|--------------|--------------|--------------|--------------|--------------|--------------|
|          |              |              |              |              | Min **       | Max          |
| 03*      | .437 (11.1)  | .760 (19.3)  | .843 (21.4)  | .630 (16.0)  | .156 (4.0)   | .250 (6.4)   |
| 04*      | .437 (11.1)  | .760 (19.3)  | .906 (23.0)  | .755 (19.2)  | .188 (4.8)   | .312 (7.9)   |
| 06*      | .500 (12.7)  | .760 (19.3)  | 1.093 (27.8) | .942 (23.9)  | .281 (7.1)   | .438 (11.1)  |
| 08       | .563 (14.3)  | .760 (19.3)  | 1.187 (30.1) | 1.067 (27.1) | .344 (8.7)   | .562 (14.3)  |
| 10       | .563 (14.3)  | .760 (19.3)  | 1.281 (32.5) | 1.192 (30.3) | .375 (9.5)   | .625 (15.9)  |
| 12       | .563 (14.3)  | .760 (19.3)  | 1.500 (38.1) | 1.380 (35.1) | .438 (11.1)  | .750 (19.1)  |
| 16       | .656 (16.7)  | 1.073 (27.3) | 1.719 (43.7) | 1.535 (39.0) | .562 (14.3)  | .938 (23.8)  |
| 20       | .656 (16.7)  | 1.323 (33.6) | 2.062 (52.4) | 1.848 (46.9) | .750 (19.1)  | 1.250 (31.8) |
| 24       | .656 (16.7)  | 1.323 (33.6) | 2.312 (58.7) | 2.255 (57.3) | .781 (19.8)  | 1.375 (34.9) |
| 28       | 1.188 (30.2) | 1.572 (39.9) | 2.719 (69.1) | 2.505 (63.6) | .969 (24.6)  | 1.625 (41.3) |
| 32*      | 1.187 (30.1) | 1.572 (39.9) | 2.969 (75.4) | 2.755 (70.0) | 1.125 (28.6) | 1.875 (47.6) |
| 40*      | 1.125 (28.6) | 1.572 (39.9) | 3.531 (89.7) | 3.255 (82.7) | 1.469 (37.3) | 2.375 (60.3) |

\* Not available in Style M clamp.

\*\* Not Applicable Style D