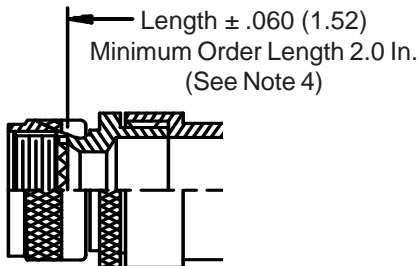
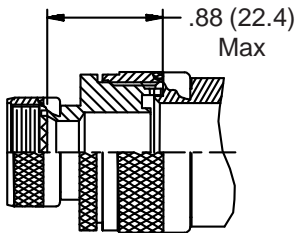


380-001
EMI/RFI Non-Environmental Backshell
with Strain Relief
Type A - Rotatable Coupling - Low Profile

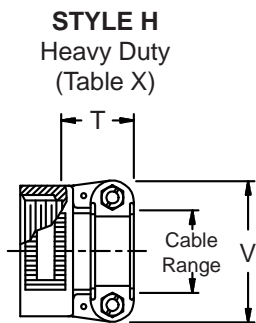
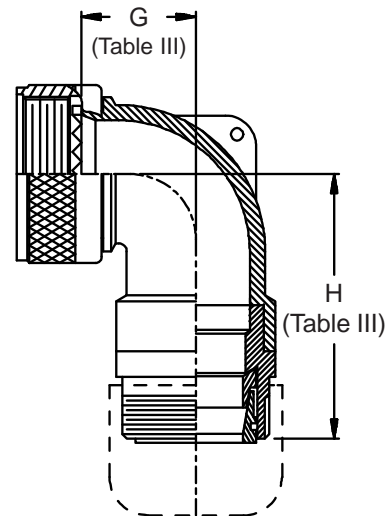
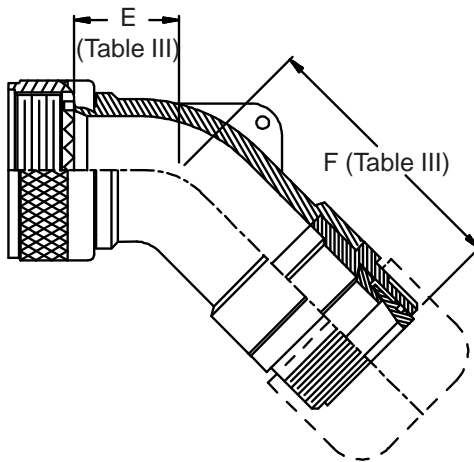
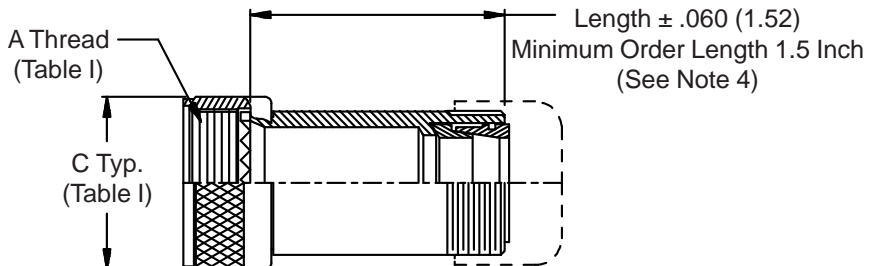
CONNECTOR DESIGNATOR
A-F-H-L-S
ROTATABLE COUPLING
TYPE A OVERALL SHIELD TERMINATION



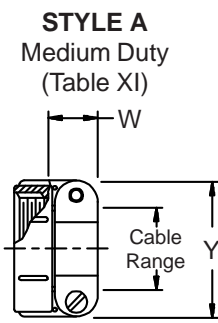
STYLE 2
(STRAIGHT)
 See Note 1)



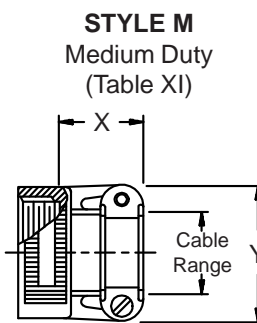
STYLE 2
(45° & 90°)
 See Note 1)



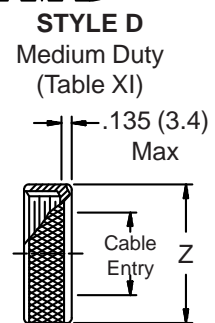
STYLE H
 Heavy Duty
 (Table X)



STYLE A
 Medium Duty
 (Table XI)



STYLE M
 Medium Duty
 (Table XI)



STYLE D
 Medium Duty
 (Table XI)

