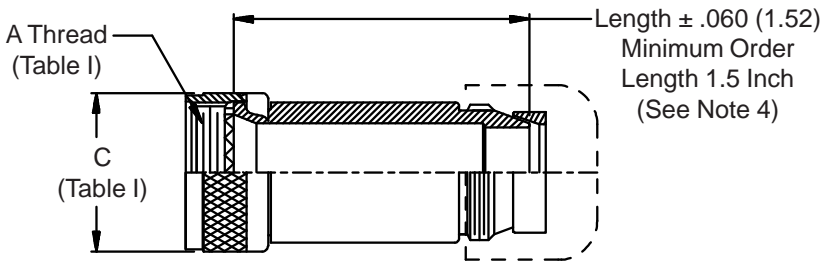
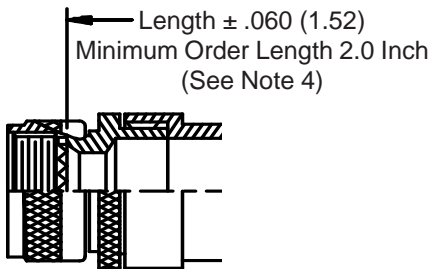
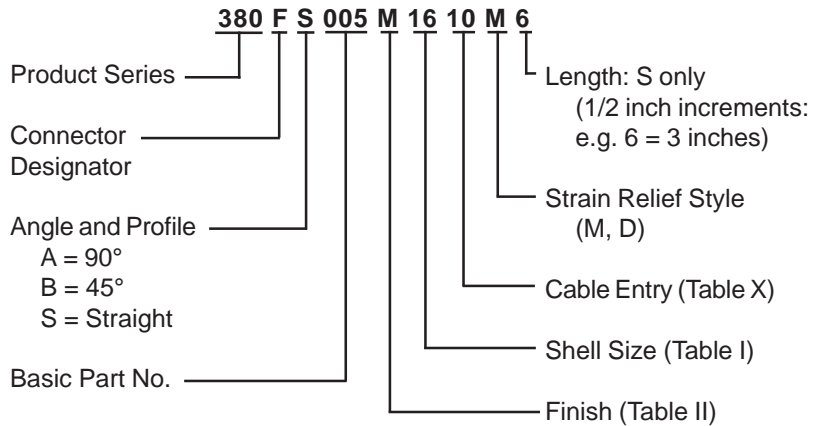
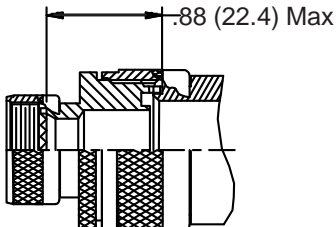


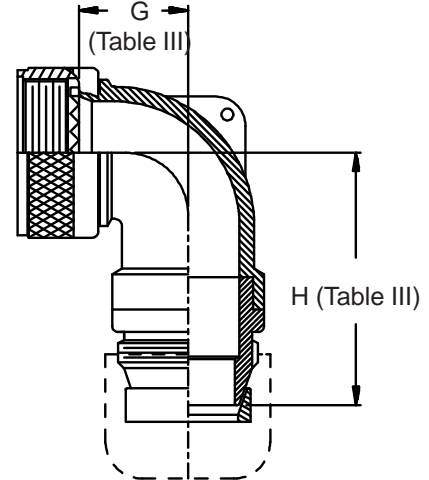
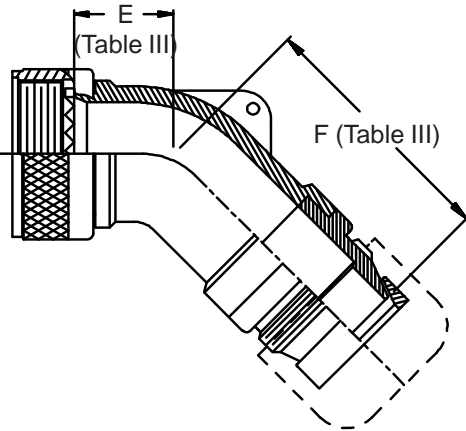
**CONNECTOR  
 DESIGNATORS**  
**A-F-H-L-S**  
**ROTATABLE  
 COUPLING**  
**TYPE C OVERALL  
 SHIELD TERMINATION**



**STYLE 2  
 (STRAIGHT  
 See Note 1)**



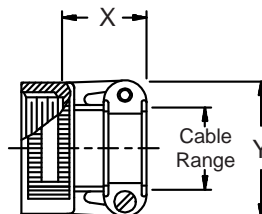
**STYLE 2  
 (45° & 90°  
 See Note 1)**



**STYLE M  
 Medium Duty - Dash No. 01-04  
 (Table X)**



**STYLE M  
 Medium Duty - Dash No. 10-28  
 (Table X)**



**STYLE D  
 Medium Duty  
 (Table X)**

