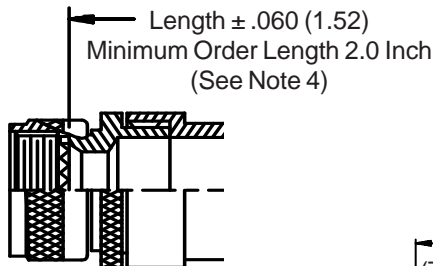
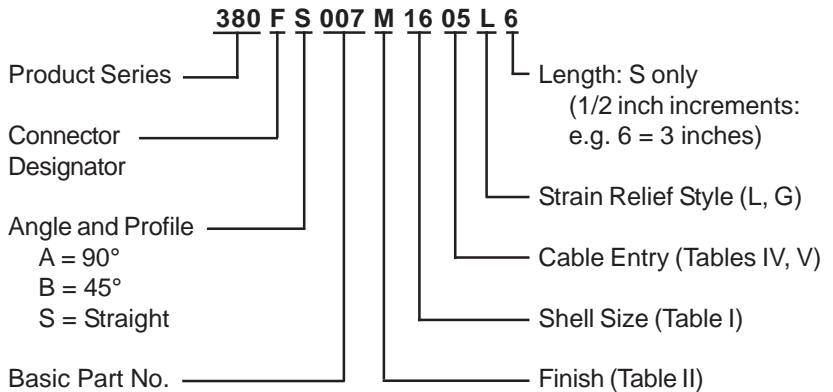


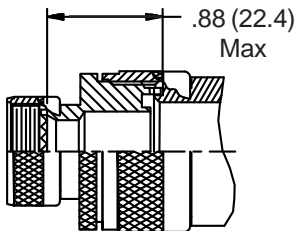
CONNECTOR DESIGNATORS
A-F-H-L-S

ROTATABLE COUPLING

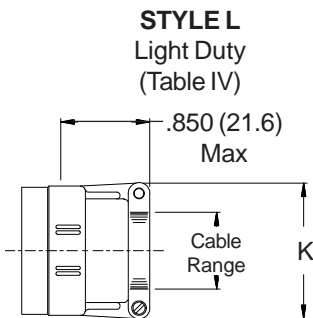
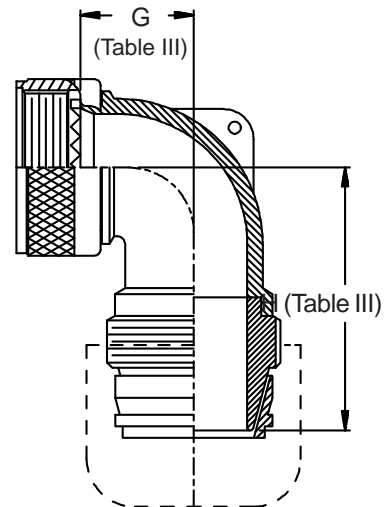
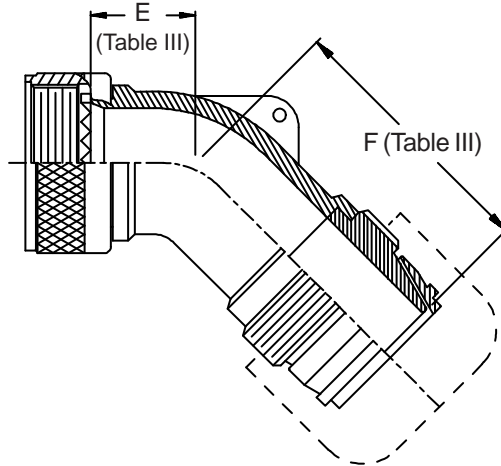
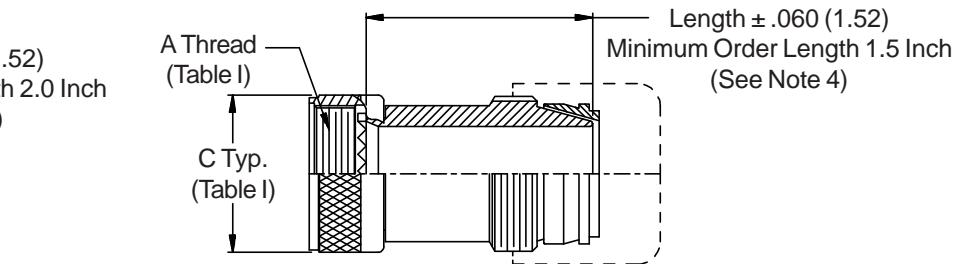
TYPE C OVERALL SHIELD TERMINATION



STYLE 2
(STRAIGHT
See Note 1)



STYLE 2
(45° & 90°
See Note 1)



-445 Now Available with the "NESTOR"

Glenair's Non-Detent, Spring-Loaded, Self-Locking Coupling.
 Add "-445" to Specify This AS85049 Style "N" Coupling Interface.

