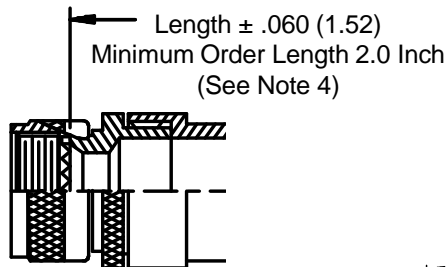
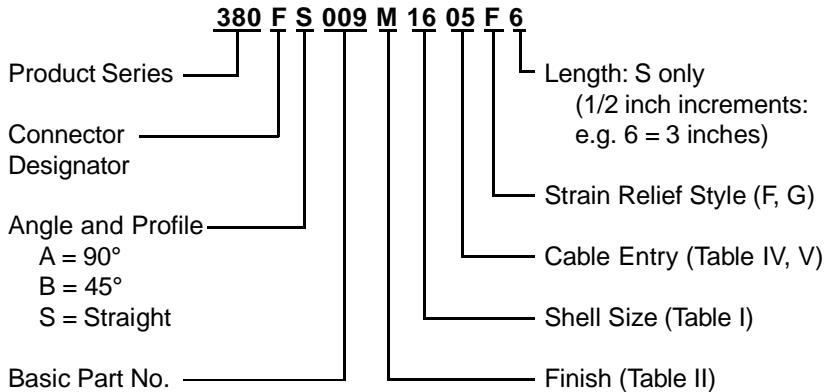
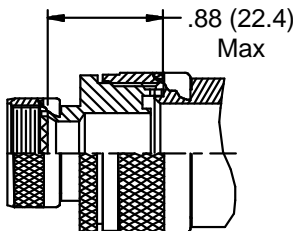


**CONNECTOR
 DESIGNATORS
 A-F-H-L-S
 ROTATABLE
 COUPLING**

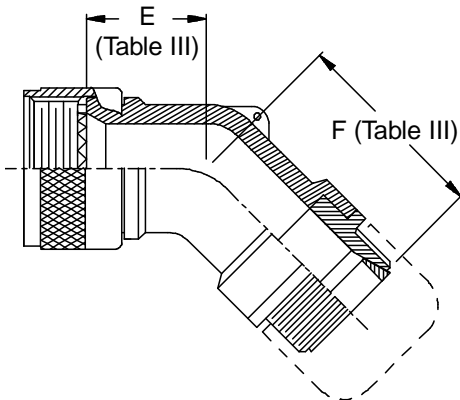
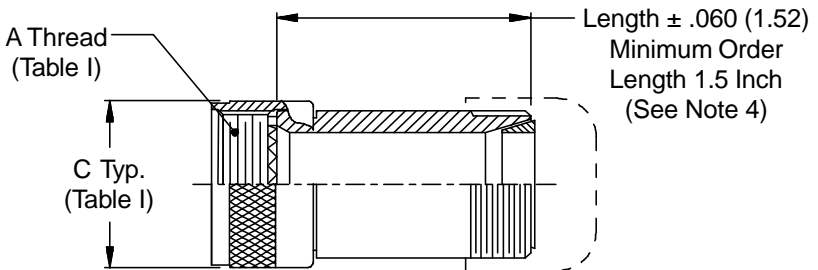
**TYPE D INDIVIDUAL
 OR OVERALL
 SHIELD TERMINATION**



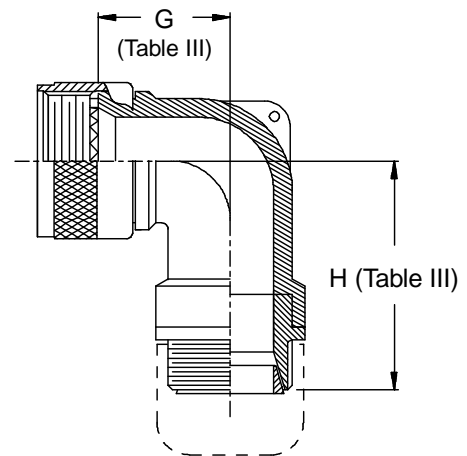
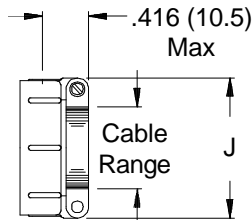
**STYLE 2
 (STRAIGHT)**
 See Note 1)



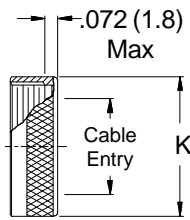
**STYLE 2
 (45° & 90°)**
 See Note 1)



STYLE F
 Light Duty
 (Table IV)



STYLE G
 Light Duty
 (Table V)



-445

Now Available with the "NESTOR"

Glenair's Non-Detent, Spring-Loaded, Self-Locking Coupling.

Add "-445" to Specify This AS85049 Style "N" Coupling Interface.

