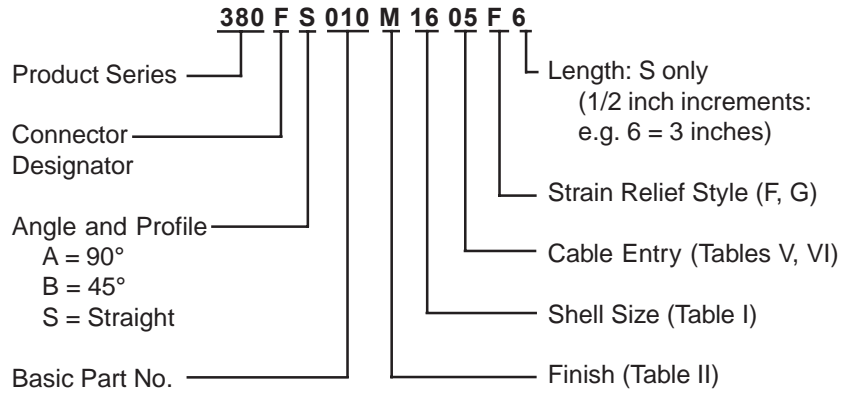


CONNECTOR  
DESIGNATORS

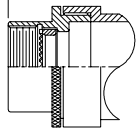
**A-B\*-C-D-E-F**  
**G-H-J-K-L-S**

\* Conn. Desig. B See Note 5  
**DIRECT COUPLING**

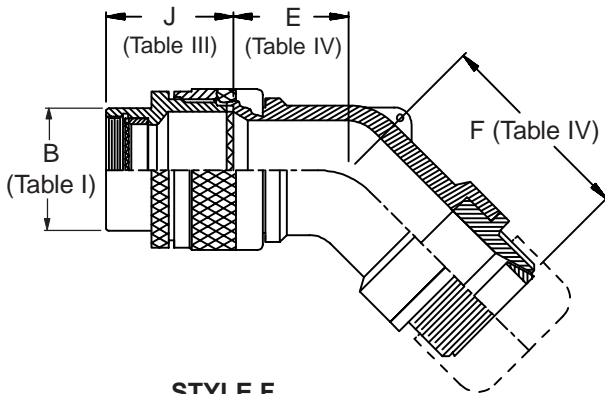
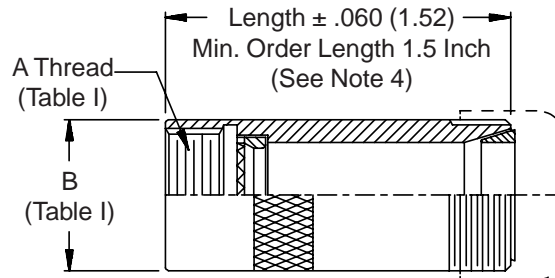
**TYPE D INDIVIDUAL  
OR OVERALL SHIELD  
TERMINATION**



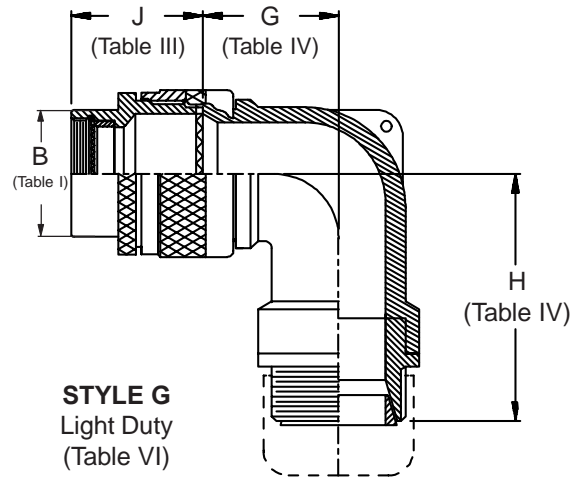
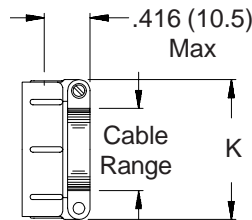
Length ± .060 (1.52)  
Min. Order Length 2.0 Inch  
(See Note 4)



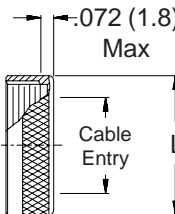
**STYLE 2**  
**(STRAIGHT)**  
See Note 1)



**STYLE F**  
Light Duty  
(Table V)



**STYLE G**  
Light Duty  
(Table VI)



**380-010**  
**EMI/RFI Non-Environmental Backshell**  
with Strain Relief  
Type D- Direct Coupling - Low Profile



**TABLE III: FRONT ADAPTER**

Shell Size	J Max - Conn. Designator		
	A-E-F		
	J-H-L-S	D-B-G-K	C
08/09	1.180 (30.0)	1.440 (36.6)	
10/11	1.180 (30.0)	1.440 (36.6)	
12/13	1.180 (30.0)	1.440 (36.6)	1.735 (44.1)
14/15	1.180 (30.0)	1.440 (36.6)	1.915 (48.6)
16/17	1.380 (35.0)	1.560 (39.6)	1.915 (48.6)
18/19	1.380 (35.0)	1.560 (39.6)	1.915 (48.6)
20/21	1.380 (35.0)	1.560 (39.6)	1.915 (48.6)
22/23	1.380 (35.0)	1.560 (39.6)	1.915 (48.6)
24/25	1.380 (35.0)	1.560 (39.6)	1.915 (48.6)
28/29	1.610 (40.9)	1.560 (39.6)	1.915 (48.6)
32/33	1.610 (40.9)	1.750 (44.5)	1.915 (48.6)
36	1.610 (40.9)	1.750 (44.5)	1.915 (48.6)
40	1.610 (40.9)	2.190 (55.6)	1.915 (48.6)

See inside back cover fold-out or pages 13 and 14 for unabridged Tables I and II.

1. When maximum cable entry (page 22) is exceeded, Style 2 will be supplied. (Function S only).
2. Metric dimensions (mm) are indicated in parentheses.
3. Cable range is defined as the accommodations range for the wire bundle or cable. Dimensions shown are not intended for inspection criteria.
4. Consult factory for shorter lengths on straight backshells.
5. When using Connector Designator B refer to pages 18 and 19 for part number development.

**TABLE IV: ELBOW DIMENSIONS**

Elbow Size	E Max	F Max	G Max	H Max
01	.457 (11.6)	1.500 (38.1)	.500 (12.7)	1.445 (36.7)
02	.457 (11.6)	1.500 (38.1)	.500 (12.7)	1.445 (36.7)
03	.520 (13.2)	1.510 (38.4)	.595 (15.1)	1.565 (39.8)
04	.582 (14.8)	1.580 (40.1)	.610 (15.5)	1.585 (40.3)
05	.738 (18.7)	1.770 (45.0)	.885 (22.5)	1.725 (43.8)
06	.926 (23.5)	1.960 (49.8)	.975 (24.8)	1.915 (48.6)
07	.926 (23.5)	1.960 (49.8)	.975 (24.8)	1.915 (48.6)
08	1.020 (25.9)	2.110 (53.6)	1.125 (28.6)	2.025 (51.4)
09	1.020 (25.9)	2.110 (53.6)	1.125 (28.6)	2.025 (51.4)
10	1.145 (29.1)	2.160 (54.9)	1.225 (31.1)	2.195 (55.8)

**TABLE II: STANDARD FINISHES**

GLENNAIR SYMBOL	FINISH
B	Cadmium Plate, Olive Drab
M	Electroless Nickel
NF	Cadmium Plate, Olive Drab Over Electroless Nickel

See Inside Back Cover for Additional Finish Options

**TABLE V: CABLE ENTRY**

Dash No.	K Max	Cable Range	
		Min	Max
02	.968 (24.6)	.125 (3.2)	.250 (6.4)
03	1.046 (26.6)	.250 (6.4)	.375 (9.5)
04	1.156 (29.4)	.312 (7.9)	.500 (12.7)
05	1.218 (30.9)	.437 (11.1)	.625 (15.9)
06	1.343 (34.1)	.562 (14.3)	.750 (19.1)
07	1.468 (37.3)	.687 (17.4)	.875 (22.2)
08	1.593 (40.5)	.812 (20.6)	1.000 (25.4)
10	1.843 (46.8)	1.062 (27.0)	1.250 (31.8)

**TABLE VI: CABLE ENTRY**

Dash No.	L Max	Cable Entry	
		Max	Max
01	.656 (16.7)	.125 (3.2)	
02	.781 (19.8)	.250 (6.4)	
03	.906 (23.0)	.375 (9.5)	
04	1.031 (26.2)	.500 (12.7)	
05	1.156 (29.4)	.625 (15.9)	
06	1.281 (32.5)	.750 (19.1)	
07	1.406 (35.7)	.875 (22.2)	
08	1.531 (38.9)	1.000 (25.4)	
09	1.656 (42.1)	1.125 (28.6)	
10	1.781 (45.2)	1.250 (31.8)	