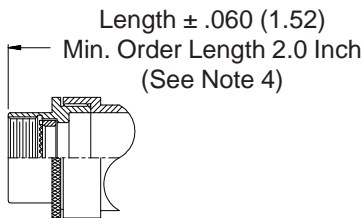
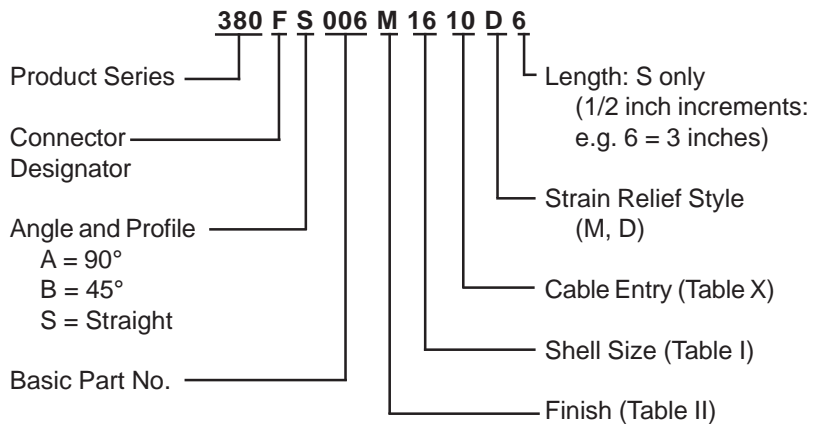


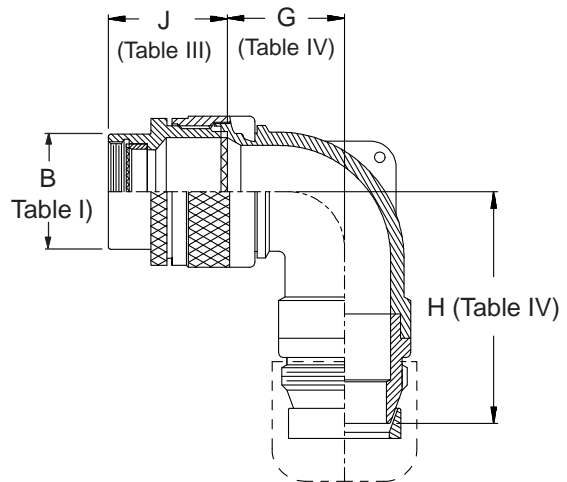
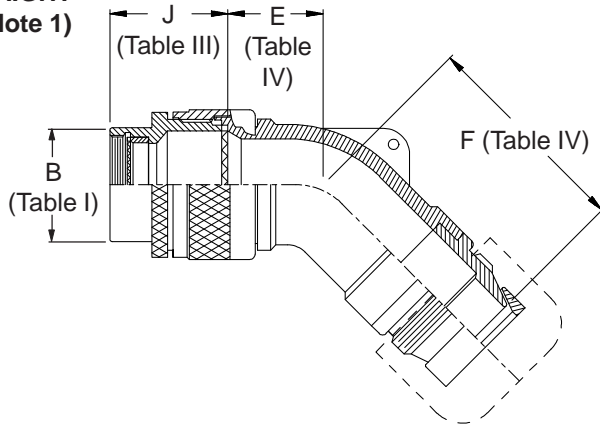
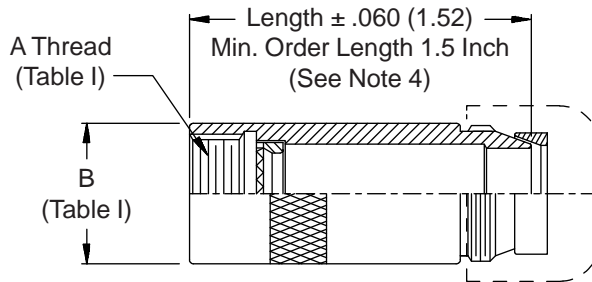
**CONNECTOR
 DESIGNATORS**
A-B*-C-D-E-F
G-H-J-K-L-S

* Conn. Desig. B See Note 5
**DIRECT
 COUPLING**

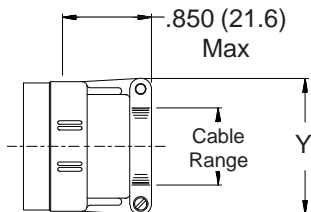
**TYPE C OVERALL
 SHIELD TERMINATION**



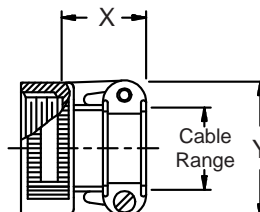
**STYLE 2
 (STRAIGHT
 See Note 1)**



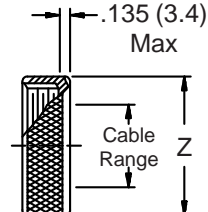
STYLE M
 Medium Duty - Dash No. 01-04
 (Table X)



STYLE M
 Medium Duty - Dash No. 10-28
 (Table X)



STYLE D
 Medium Duty
 (Table X)



380-006
EMI/RFI Non-Environmental Backshell
Heavy-Duty with Strain Relief
Type C - Direct Coupling - Low Profile



TABLE III: FRONT ADAPTER

| Shell Size | J Max - Conn. Designator | | |
|------------|--------------------------|--------------|--------------|
| | A-E-F | | |
| | J-H-L-S | D-B-G-K | C |
| 08/09 | 1.180 (30.0) | 1.440 (36.6) | |
| 10/11 | 1.180 (30.0) | 1.440 (36.6) | |
| 12/13 | 1.180 (30.0) | 1.440 (36.6) | 1.735 (44.1) |
| 14/15 | 1.180 (30.0) | 1.440 (36.6) | 1.915 (48.6) |
| 16/17 | 1.380 (35.0) | 1.560 (39.6) | 1.915 (48.6) |
| 18/19 | 1.380 (35.0) | 1.560 (39.6) | 1.915 (48.6) |
| 20/21 | 1.380 (35.0) | 1.560 (39.6) | 1.915 (48.6) |
| 22/23 | 1.380 (35.0) | 1.560 (39.6) | 1.915 (48.6) |
| 24/25 | 1.380 (35.0) | 1.560 (39.6) | 1.915 (48.6) |
| 28/29 | 1.610 (40.9) | 1.560 (39.6) | 1.915 (48.6) |
| 32/33 | 1.610 (40.9) | 1.750 (44.5) | 1.915 (48.6) |
| 36 | 1.610 (40.9) | 1.750 (44.5) | 1.915 (48.6) |
| 40 | 1.610 (40.9) | 2.190 (55.6) | 1.915 (48.6) |

See inside back cover
 fold-out or pages 13 and
 14 for unabridged
 Tables I and II.

1. When maximum cable entry (page 22) is exceeded, Style 2 will be supplied. (Function S only.)
2. Metric dimensions (mm) are indicated in parentheses.
3. Cable range is defined as the accommodations range for the wire bundle or cable. Dimensions shown are not intended for inspection criteria.
4. Consult factory for shorter lengths on straight backshells.
5. When using Connector Designator B refer to pages 18 and 19 for part number development.

TABLE IV: ELBOW DIMENSIONS

| Elbow Size | E Max | F Max | G Max | H Max |
|------------|--------------|--------------|--------------|--------------|
| 01 | .567 (14.4) | 1.848 (46.9) | .636 (16.2) | 1.858 (47.2) |
| 02 | .567 (14.4) | 1.848 (46.9) | .636 (16.2) | 1.858 (47.2) |
| 03 | .630 (16.0) | 1.908 (48.5) | .710 (18.0) | 1.978 (50.2) |
| 04 | .692 (17.6) | 1.968 (50.0) | .731 (18.6) | 1.998 (50.7) |
| 10 | .755 (19.2) | 2.347 (59.6) | .825 (21.0) | 2.357 (59.9) |
| 12 | .848 (21.5) | 2.457 (62.4) | .988 (25.1) | 2.447 (62.2) |
| 16 | 1.036 (26.3) | 2.647 (67.2) | 1.087 (27.6) | 2.617 (66.5) |
| 20 | 1.130 (28.7) | 2.922 (74.2) | 1.325 (33.7) | 2.852 (72.4) |
| 24 | 1.255 (31.9) | 2.972 (75.5) | 1.337 (34.0) | 3.022 (76.8) |
| 28 | 1.317 (33.5) | 3.072 (78.0) | 1.827 (46.4) | 3.272 (83.1) |
| 32 | 1.348 (34.2) | 3.162 (80.3) | 2.027 (51.5) | 3.272 (83.1) |

TABLE II: STANDARD FINISHES

| GLENAIR | |
|--|--|
| SYMBOL | FINISH |
| B | Cadmium Plate, Olive Drab |
| M | Electroless Nickel |
| NF | Cadmium Plate, Olive Drab Over Electroless Nickel |
| See Inside Back Cover for Additional Finish Options | |

TABLE X: CABLE ENTRY

| Dash No. | X Max | Y Max | Z Max | Cable Range | |
|----------|--------------|--------------|--------------|--------------|--------------|
| | | | | Min | Max |
| 01 | .850 (21.6) | .781 (19.8) | .593 (15.1) | .062 (1.6) | .125 (3.2) |
| 02 | .850 (21.6) | .968 (24.6) | .718 (18.2) | .125 (3.2) | .250 (6.4) |
| 03 | .850 (21.6) | 1.046 (26.6) | .843 (21.4) | .250 (6.4) | .375 (9.5) |
| 04 | .850 (21.6) | 1.156 (29.4) | .968 (24.6) | .375 (9.5) | .500 (12.7) |
| 10 | .760 (19.3) | 1.281 (32.5) | 1.192 (30.3) | .375 (9.5) | .625 (15.9) |
| 12 | .760 (19.3) | 1.500 (38.1) | 1.380 (35.1) | .438 (11.1) | .750 (19.1) |
| 16 | 1.073 (27.3) | 1.719 (43.7) | 1.535 (39.0) | .562 (14.3) | .938 (23.8) |
| 20 | 1.323 (33.6) | 2.062 (52.4) | 1.848 (46.9) | .750 (19.1) | 1.250 (31.8) |
| 24 | 1.323 (33.6) | 2.312 (58.7) | 2.255 (57.3) | .875 (22.2) | 1.375 (34.9) |
| 28 | 1.572 (39.9) | 2.719 (69.1) | 2.505 (63.6) | 1.125 (28.6) | 1.625 (41.3) |