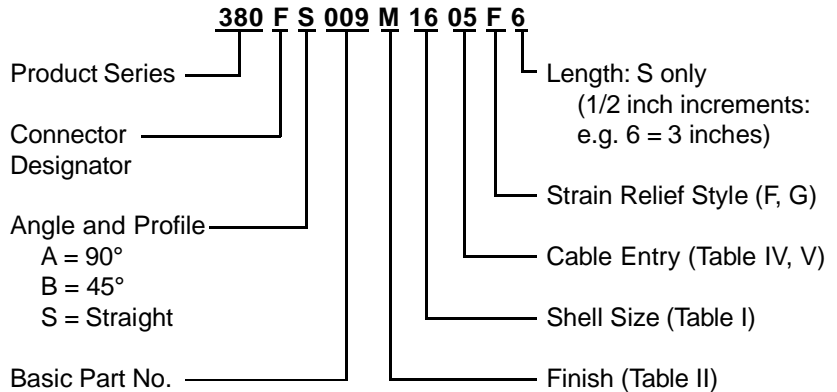
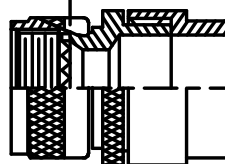


**CONNECTOR
DESIGNATORS
A-F-H-L-S
ROTATABLE
COUPLING**

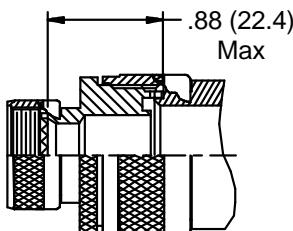
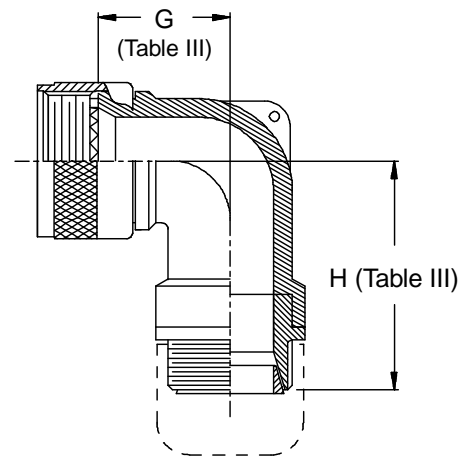
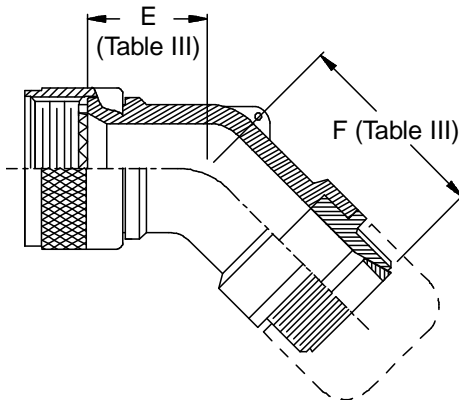
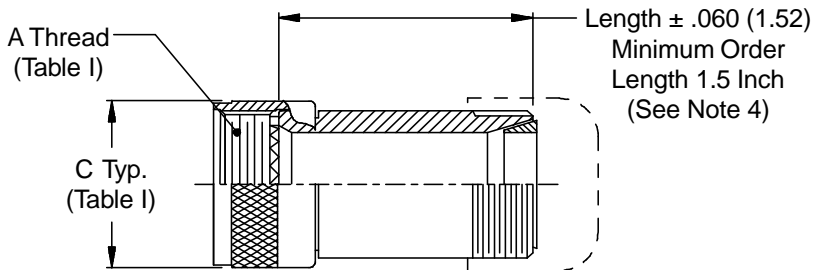
**TYPE D INDIVIDUAL
OR OVERALL
SHIELD TERMINATION**



Length ± .060 (1.52)
Minimum Order Length 2.0 Inch
(See Note 4)

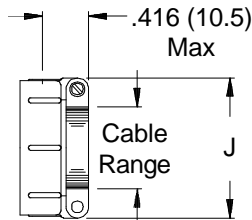


**STYLE 2
(STRAIGHT
See Note 1)**

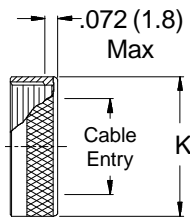


**STYLE 2
(45° & 90°
See Note 1)**

**STYLE F
Light Duty
(Table IV)**



**STYLE G
Light Duty
(Table V)**



-445 Now Available with the "NESTOR"

**Glenair's Non-Detent,
Spring-Loaded, Self-
Locking Coupling.
Add "-445" to Specify
This AS85049 Style "N"
Coupling Interface.**

