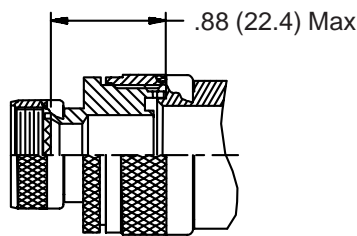
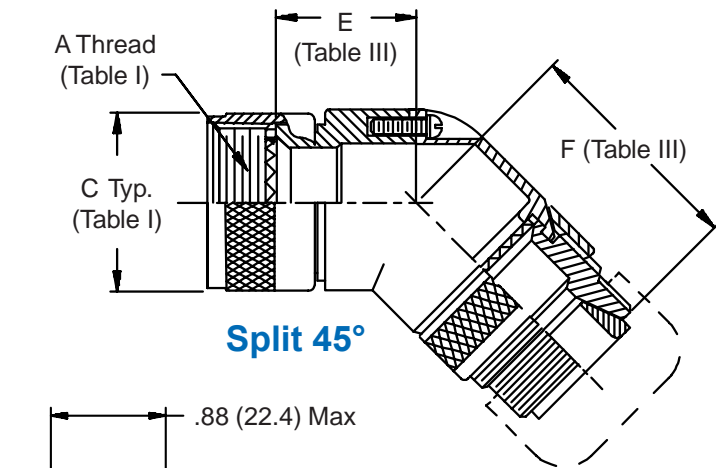
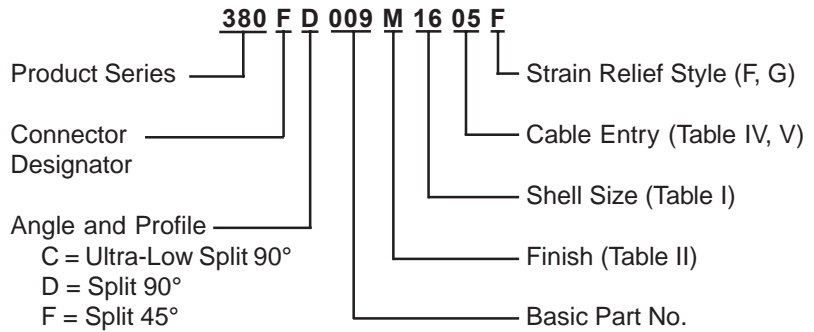


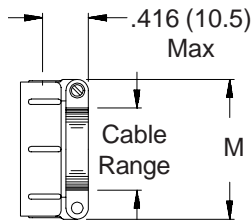
**CONNECTOR  
DESIGNATORS  
A-F-H-L-S  
ROTATABLE  
COUPLING**

**TYPE D INDIVIDUAL  
OR OVERALL  
SHIELD TERMINATION**

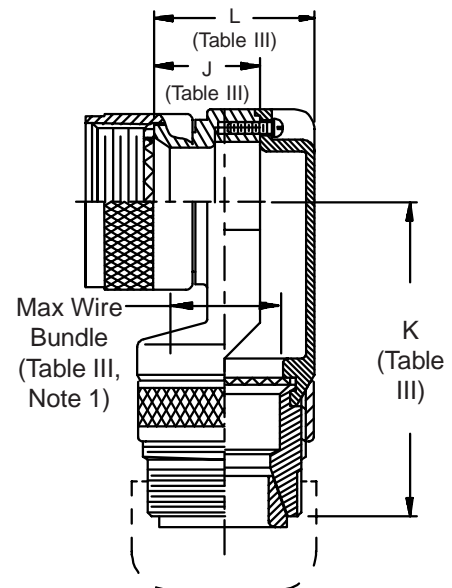
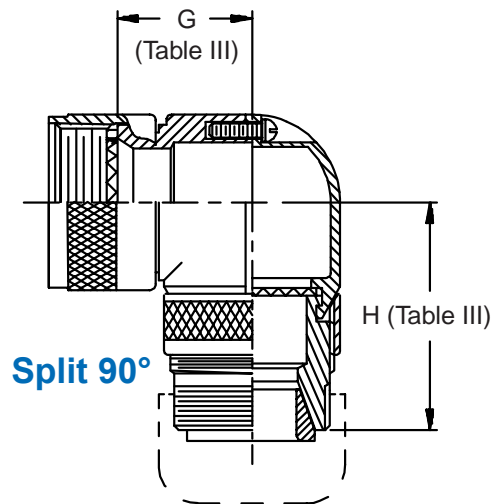
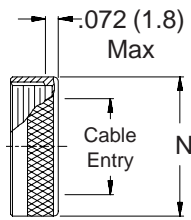


**STYLE 2**  
(See Note 1)

**STYLE F**  
Light Duty  
(Table IV)



**STYLE G**  
Light Duty  
(Table V)



**380-009**  
**EMI/RFI Non-Environmental Backshell**  
with Strain Relief  
**Type D - Rotatable Coupling - Split Shell**



See inside back cover fold-out or pages 13 and 14 for Tables I and II.

GLENAIR SYMBOL FINISH	
B	Cadmium Plate, Olive Drab
M	Electroless Nickel
NF	Cadmium Plate, Olive Drab Over Electroless Nickel
See Inside Back Cover for Additional Finish Options	

TABLE III: DIMENSIONS								
Shell Size	E Max	F Max	G Max	H Max	J Max	K Max	L Max	Function C Max Wire Bundle
08/09	.440 (11.2)	1.730 (43.9)	.680 (17.3)	1.670 (42.4)	.340 (8.6)	1.920 (48.8)	.681 (17.3)	.250 (6.4)
10/11	.500 (12.7)	1.785 (45.3)	.750 (19.1)	1.725 (43.8)	.270 (6.9)	2.080 (52.8)	.731 (18.6)	.375 (9.5)
12/13	.560 (14.2)	1.855 (47.1)	.810 (20.6)	1.795 (45.6)	.270 (6.9)	2.080 (52.8)	.731 (18.6)	.375 (9.5)
14/15	.620 (15.7)	1.887 (47.9)	.870 (22.1)	1.827 (46.4)	.280 (7.1)	2.150 (54.6)	.831 (21.1)	.500 (12.7)
16/17	.680 (17.3)	1.987 (50.5)	.930 (23.6)	1.927 (48.9)	.420 (10.7)	2.200 (55.9)	.981 (24.9)	.625 (15.9)
18/19	.750 (19.1)	2.045 (51.9)	1.000 (25.4)	1.985 (50.4)	.640 (16.3)	2.230 (56.6)	1.181 (30.0)	.625 (15.9)
20/21	.820 (20.8)	2.106 (53.5)	1.060 (26.9)	2.046 (52.0)	.640 (16.3)	2.230 (56.6)	1.181 (30.0)	.625 (15.9)
22/23	.880 (22.4)	2.167 (55.0)	1.120 (28.4)	2.107 (53.5)	.540 (13.7)	2.380 (60.5)	1.181 (30.0)	.750 (19.1)
24/25	.940 (23.9)	2.225 (56.5)	1.180 (30.0)	2.165 (55.0)	.540 (13.7)	2.380 (60.5)	1.181 (30.0)	.750 (19.1)

TABLE IV: CABLE ENTRY			
Dash No.	M Max	Cable Range	
		Min	Max
02	.968 (24.6)	.125 (3.2)	.250 (6.4)
03	1.046 (26.6)	.250 (6.4)	.375 (9.5)
04	1.156 (29.4)	.312 (7.9)	.500 (12.7)
05	1.218 (30.9)	.437 (11.1)	.625 (15.9)
06	1.343 (34.1)	.562 (14.3)	.750 (19.1)
07	1.468 (37.3)	.687 (17.4)	.875 (22.2)
08	1.593 (40.5)	.812 (20.6)	1.000 (25.4)
10	1.843 (46.8)	1.062 (27.0)	1.250 (31.8)

TABLE V: CABLE ENTRY		
Dash No.	N Max	Cable Entry
		Max
01	.656 (16.7)	.125 (3.2)
02	.781 (19.8)	.250 (6.4)
03	.906 (23.0)	.375 (9.5)
04	1.031 (26.2)	.500 (12.7)
05	1.156 (29.4)	.625 (15.9)
06	1.281 (32.5)	.750 (19.1)
07	1.406 (35.7)	.875 (22.2)
08	1.531 (38.9)	1.000 (25.4)
09	1.656 (42.1)	1.125 (28.6)
10	1.781 (45.2)	1.250 (31.8)

1. When maximum cable entry (page 21) is exceeded (not available in Symbol C), Style 2 will be supplied. Dimensions E, F, G and H will not apply. Please consult factory.
2. Metric dimensions (mm) are indicated in parentheses.
3. Cable range is defined as the accommodations range for the wire bundle or cable. Dimensions shown are not intended for inspection criteria.
4. Angular function "C", low-profile split elbow, not available with "S" connector designator.