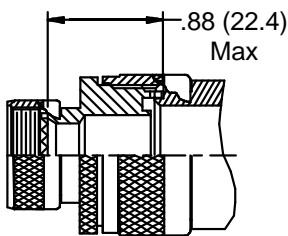
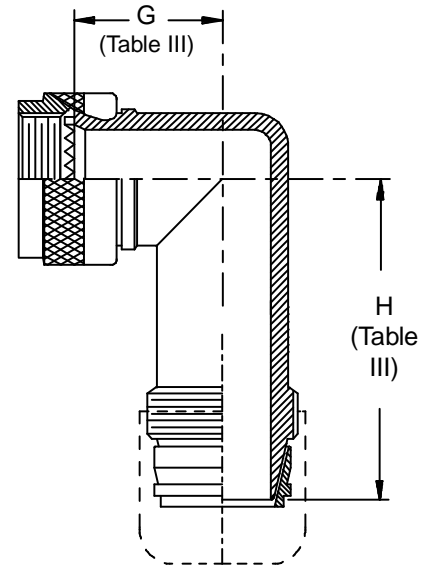
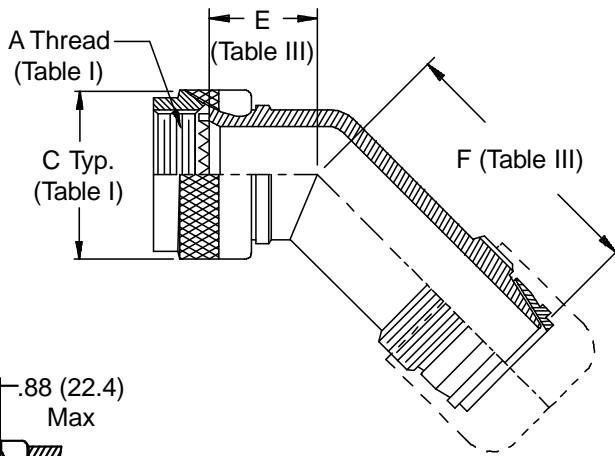
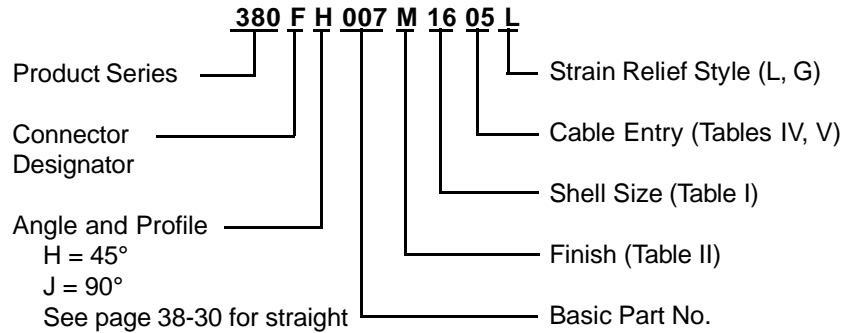


**CONNECTOR
 DESIGNATORS
 A-F-H-L-S
 ROTATABLE
 COUPLING**

**TYPE C OVERALL
 SHIELD TERMINATION**

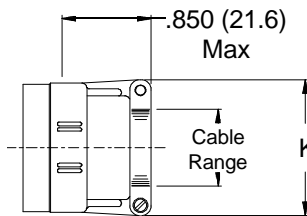


STYLE 2
 (See Note 1)

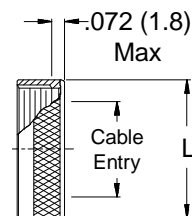
-445 Now Available with the "NESTOR"

Glenair's Non-Detent, Spring-Loaded, Self-Locking Coupling.
 Add "-445" to Specify This AS85049 Style "N" Coupling Interface.

STYLE L
 Light Duty
 (Table IV)



STYLE G
 Light Duty
 (Table V)



380-007
EMI/RFI Non-Environmental Backshell
Light-Duty with Strain Relief
Type C - Rotatable Coupling - Standard Profile



See inside back cover fold-out or
 pages 13 and 14 for unabridged
 Tables I and II.

TABLE III: ELBOW DIMENSIONS

Shell Size		E		F		G		H	
Conn. Desig.	H	Max		Max		Max		Max	
A-F-L-S									
08	09	.639	(16.2)	1.100	(27.9)	.750	(19.1)	1.210	(30.7)
10	11	.664	(16.9)	1.130	(28.7)	.810	(20.6)	1.270	(32.3)
12	13	.688	(17.5)	1.150	(29.2)	.870	(22.1)	1.330	(33.8)
14	15	.705	(17.9)	1.180	(30.0)	.920	(23.4)	1.400	(35.6)
16	17	.732	(18.6)	1.200	(30.5)	.980	(24.9)	1.460	(37.1)
18	19	.748	(19.0)	1.210	(30.7)	1.020	(25.9)	1.480	(37.6)
20	21	.773	(19.6)	1.230	(31.2)	1.080	(27.4)	1.540	(39.1)
22	23	.800	(20.3)	1.270	(32.3)	1.140	(29.0)	1.620	(41.1)
24	25	.823	(20.9)	1.300	(33.0)	1.200	(30.5)	1.690	(42.9)
28		1.041	(26.4)	1.470	(37.3)	1.480	(37.6)	1.930	(49.0)
36		1.138	(28.9)	1.560	(39.6)	1.720	(43.7)	2.130	(54.1)
40		1.184	(30.1)	1.600	(40.6)	1.830	(46.5)	2.240	(56.9)
61		.917	(23.3)	1.330	(33.8)	1.320	(33.6)	1.690	(42.9)

TABLE: STANDARD FINISHES

GLENAIR	
SYMBOL	FINISH
B	Cadmium Plate, Olive Drab
M	Electroless Nickel
NF	Cadmium Plate, Olive Drab Over Electroless Nickel
See Inside Back Cover for Additional Finish Options	

TABLE IV: CABLE ENTRY

Dash No.	K Max	Cable Range	
		Min	Max
01	.781 (19.8)	.062 (1.6)	.125 (3.2)
02	.968 (24.6)	.125 (3.2)	.250 (6.4)
03	1.046 (26.6)	.250 (6.4)	.375 (9.5)
04	1.156 (29.4)	.250 (6.4)	.500 (12.7)
05	1.218 (30.9)	.375 (9.5)	.625 (15.9)
06	1.343 (34.1)	.500 (12.7)	.750 (19.1)
07	1.468 (37.3)	.625 (15.9)	.875 (22.2)
08	1.593 (40.5)	.625 (15.9)	1.000 (25.4)
09	1.718 (43.6)	.750 (19.1)	1.125 (28.6)
10	1.843 (46.8)	.875 (22.2)	1.250 (31.8)

TABLE V: CABLE ENTRY

Dash No.	L Max	Cable Entry	
		Min	Max
01	.593 (15.1)	.125 (3.2)	(3.2)
02	.718 (18.2)	.250 (6.4)	(6.4)
03	.843 (21.4)	.375 (9.5)	(9.5)
04	.968 (24.6)	.500 (12.7)	(12.7)
05	1.109 (28.2)	.625 (15.9)	(15.9)
06	1.218 (30.9)	.750 (19.1)	(19.1)
07	1.343 (34.1)	.875 (22.2)	(22.2)
08	1.468 (37.3)	1.000 (25.4)	(25.4)
09	1.593 (40.5)	1.125 (28.6)	(28.6)
10	1.718 (43.6)	1.250 (31.8)	(31.8)

1. When maximum cable entry (page 21) is exceeded, Style 2 will be supplied. Dimensions E, F, G and H will not apply. Please consult factory.
2. Metric dimensions (mm) are indicated in parentheses.
3. Cable range is defined as the accommodations range for the wire bundle or cable. Dimensions shown are not intended for inspection criteria.
4. -445 "NESTOR" modification not available for MIL-DTL-38999 Series II.

-445 Add "-445" to Specify Glenair's Non-Detent, ("NESTOR") Spring-Loaded, Self-Locking Coupling. See Page 41 for Details.