

**380-001**  
**EMI/RFI Non-Environmental Backshell**  
**with Strain Relief**  
**Type A - Rotatable Coupling - Low Profile**

**CONNECTOR  
 DESIGNATOR  
 A-F-H-L-S  
 ROTATABLE  
 COUPLING  
 TYPE A OVERALL  
 SHIELD TERMINATION**



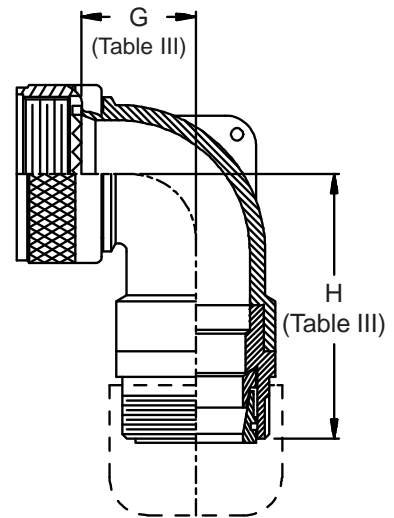
**STYLE 2  
 (STRAIGHT  
 See Note 1)**



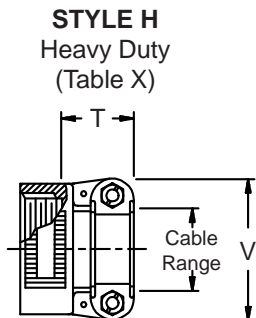
**STYLE 2  
 (45° & 90°  
 See Note 1)**



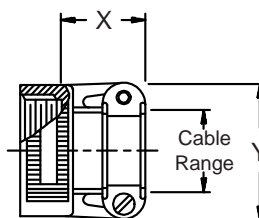
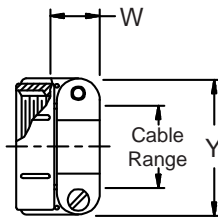
**STYLE A  
 Medium Duty  
 (Table XI)**



**STYLE D  
 Medium Duty  
 (Table XI)**



**STYLE H  
 Heavy Duty  
 (Table X)**



**STYLE M  
 Medium Duty  
 (Table XI)**

