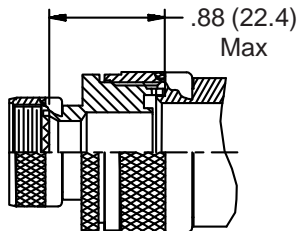


380-001
EMI/RFI Non-Environmental Backshell
with Strain Relief
Type A - Rotatable Coupling - Low Profile

CONNECTOR DESIGNATOR
A-F-H-L-S
ROTATABLE COUPLING
TYPE A OVERALL SHIELD TERMINATION



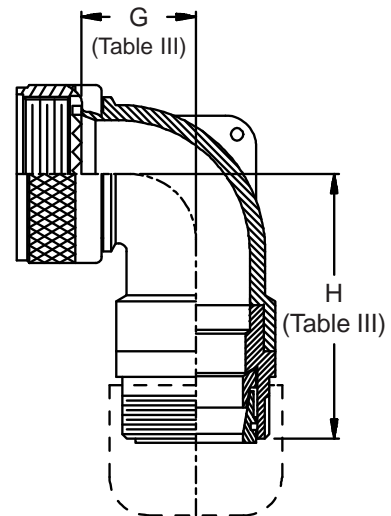
STYLE 2 (STRAIGHT)
 See Note 1)



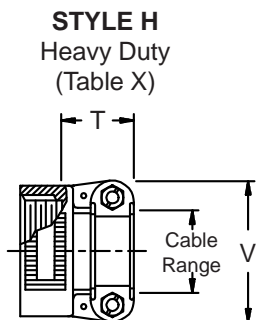
STYLE 2 (45° & 90°)
 See Note 1)



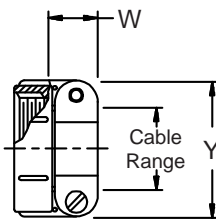
STYLE A Medium Duty
 (Table XI)



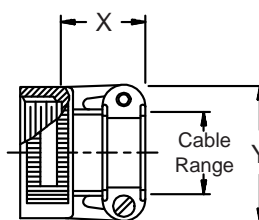
STYLE D Medium Duty
 (Table XI)



STYLE H Heavy Duty
 (Table X)



STYLE A Medium Duty
 (Table XI)



STYLE M Medium Duty
 (Table XI)

