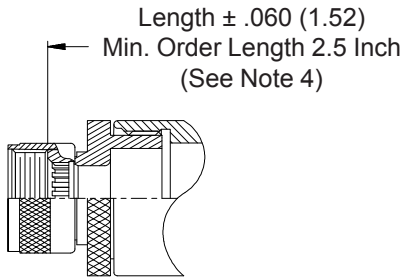
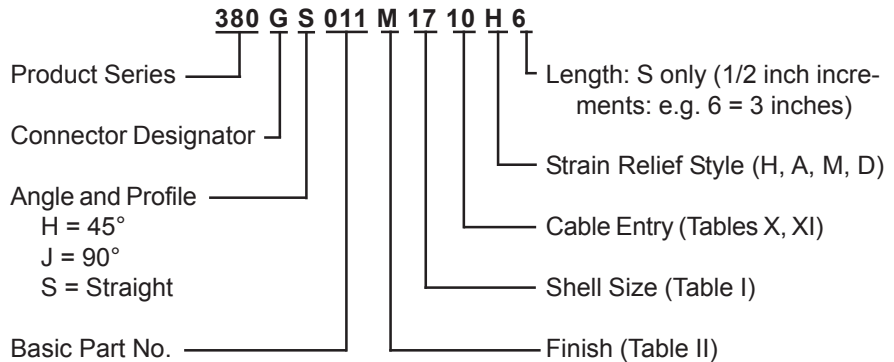


**CONNECTOR  
DESIGNATOR**

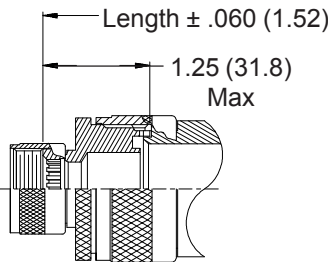
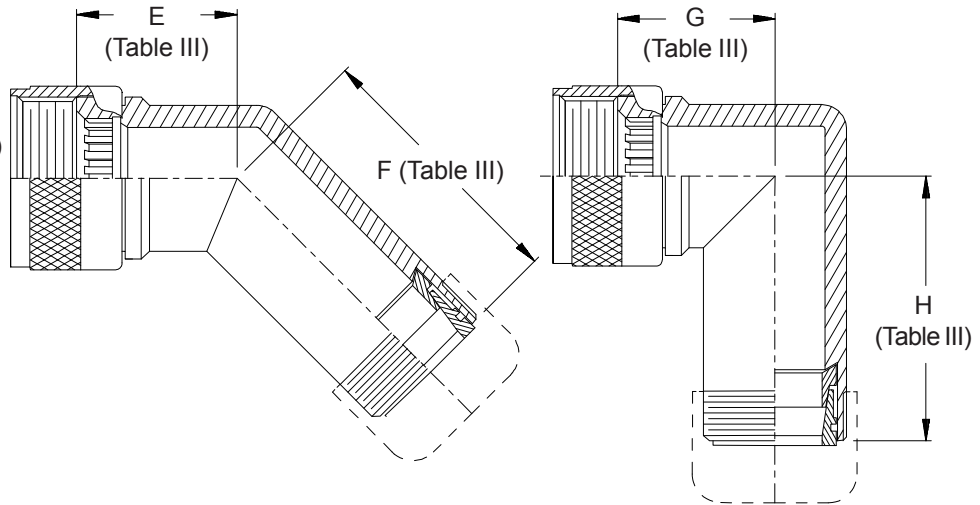
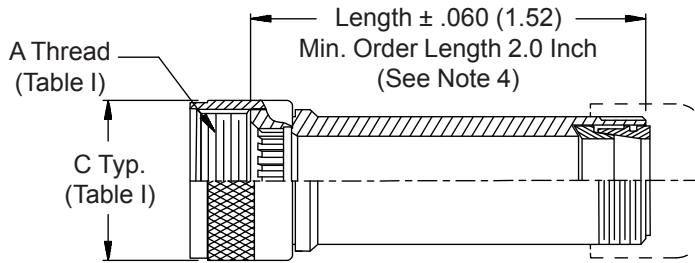
**G**

**ROTATABLE  
COUPLING**

**TYPE A OVERALL  
SHIELD TERMINATION**

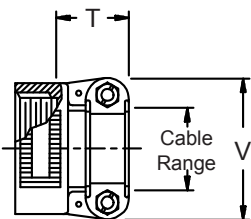


**STYLE 2  
(STRAIGHT  
See Note 1)**

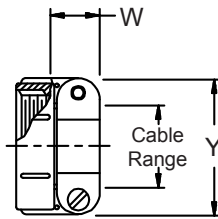


**STYLE 2  
(45° & 90°  
See Note 1)**

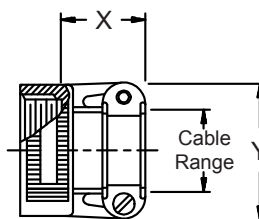
**STYLE H  
Heavy Duty  
(Table X)**



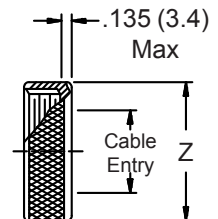
**STYLE A  
Medium Duty  
(Table XI)**



**STYLE M  
Medium Duty  
(Table XI)**



**STYLE D  
Medium Duty  
(Table XI)**



**380-011**  
**EMI/RFI Non-Environmental Backshell**  
 with Strain Relief  
 Type A - Rotatable Coupling - Standard Profile



See inside back cover fold-out or pages 13 and 14 for unabridged  
 Tables I and II.

Shell Size	E Max	F Max	G Max	H Max
11	1.240 (31.5)	1.050 (26.7)	1.380 (35.1)	1.190 (30.2)
13	1.260 (32.0)	1.070 (27.2)	1.440 (36.6)	1.250 (31.8)
15	1.290 (32.8)	1.100 (27.9)	1.500 (38.1)	1.320 (33.5)
17	1.310 (33.3)	1.120 (28.4)	1.570 (39.9)	1.380 (35.1)
19	1.340 (34.0)	1.150 (29.2)	1.630 (41.4)	1.460 (37.1)
23	1.380 (35.1)	1.190 (30.2)	1.730 (43.9)	1.540 (39.1)
25	1.410 (35.8)	1.220 (31.0)	1.800 (45.7)	1.610 (40.9)
29	1.580 (40.1)	1.390 (35.3)	2.040 (51.8)	1.850 (47.0)
33	1.620 (41.1)	1.430 (36.3)	2.130 (54.1)	1.940 (49.3)

1. When maximum cable entry (page 21) is exceeded, Style 2 will be supplied. Dimensions E, F, G & H will not apply. Please consult factory.
2. Metric dimensions (mm) are indicated in parentheses.
3. Cable range is defined as the accommodations range for the wire bundle or cable. Dimensions shown are not intended for inspection criteria.
4. Consult factory for shorter lengths on straight backshells.

Dash No.	T Max	V Max	Cable Range	
			Min	Max
04	.780 (19.8)	.957 (24.3)	.125 (3.2)	.312 (7.9)
06	.780 (19.8)	1.145 (29.1)	.250 (6.4)	.437 (11.1)
08	.780 (19.8)	1.332 (33.8)	.312 (7.9)	.562 (14.3)
10	.780 (19.8)	1.332 (33.8)	.350 (8.9)	.625 (15.9)
12	.811 (20.6)	1.551 (39.4)	.500 (12.7)	.750 (19.1)
16	.905 (23.0)	1.770 (45.0)	.625 (15.9)	.937 (23.8)
20	1.092 (27.7)	2.113 (53.7)	.875 (22.2)	1.250 (31.8)
24	1.124 (28.5)	2.363 (60.0)	1.000 (25.4)	1.375 (34.9)
28	1.399 (35.5)	2.770 (70.4)	1.250 (31.8)	1.625 (41.3)
32	1.399 (35.5)	3.020 (76.7)	1.437 (36.5)	1.875 (47.6)

GLENAIR SYMBOL	FINISH
B	Cadmium Plate, Olive Drab
M	Electroless Nickel
NF	Cadmium Plate, Olive Drab Over Electroless Nickel

See Inside Back Cover  
for Additional Finish Options

-445

Now Available with the "NESTOR"

**Add "-445" to Specify Glenair's Non-Detent, Spring-Loaded, Self-Locking Coupling. See Page 41 for Details.**

Dash No.	W Max	X Max	Y Max	Z Max	Cable Range	
					Min **	Max
03*	.437 (11.1)	.760 (19.3)	.843 (21.4)	.630 (16.0)	.156 (4.0)	.250 (6.4)
04*	.437 (11.1)	.760 (19.3)	.906 (23.0)	.755 (19.2)	.188 (4.8)	.312 (7.9)
06*	.500 (12.7)	.760 (19.3)	1.093 (27.8)	.942 (23.9)	.281 (7.1)	.438 (11.1)
08	.563 (14.3)	.760 (19.3)	1.187 (30.1)	1.067 (27.1)	.344 (8.7)	.562 (14.3)
10	.563 (14.3)	.760 (19.3)	1.281 (32.5)	1.192 (30.3)	.375 (9.5)	.625 (15.9)
12	.563 (14.3)	.760 (19.3)	1.500 (38.1)	1.380 (35.1)	.438 (11.1)	.750 (19.1)
16	.656 (16.7)	1.073 (27.3)	1.719 (43.7)	1.535 (39.0)	.562 (14.3)	.938 (23.8)
20	.656 (16.7)	1.323 (33.6)	2.062 (52.4)	1.848 (46.9)	.750 (19.1)	1.250 (31.8)
24	.656 (16.7)	1.323 (33.6)	2.312 (58.7)	2.255 (57.3)	.781 (19.8)	1.375 (34.9)
28	1.188 (30.2)	1.572 (39.9)	2.719 (69.1)	2.505 (63.6)	.969 (24.6)	1.625 (41.3)
32*	1.187 (30.1)	1.572 (39.9)	2.969 (75.4)	2.755 (70.0)	1.125 (28.6)	1.875 (47.6)
40*	1.125 (28.6)	1.572 (39.9)	3.531 (89.7)	3.255 (82.7)	1.469 (37.3)	2.375 (60.3)

\* Not available in Style M clamp.      \*\* Not Applicable Style D