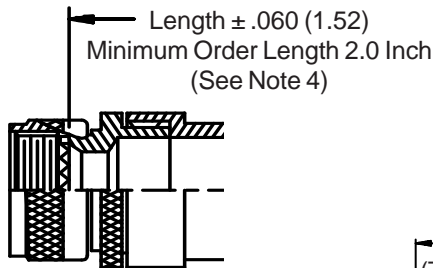
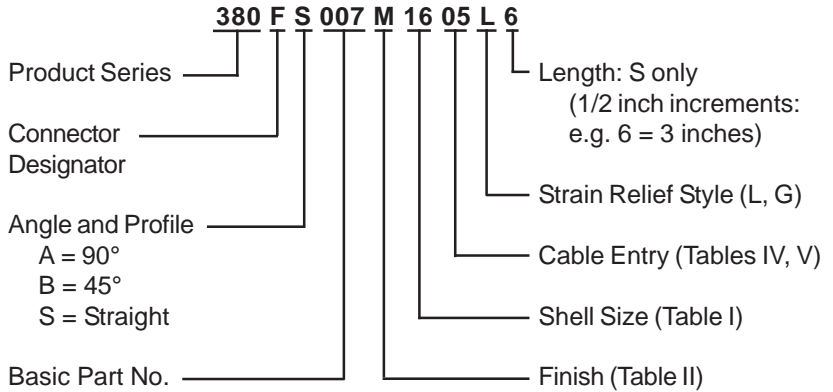


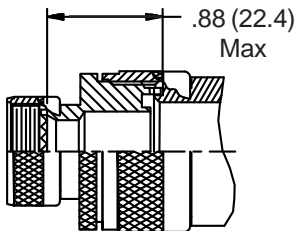
CONNECTOR DESIGNATORS
A-F-H-L-S

ROTATABLE COUPLING

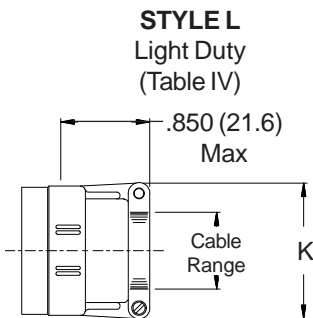
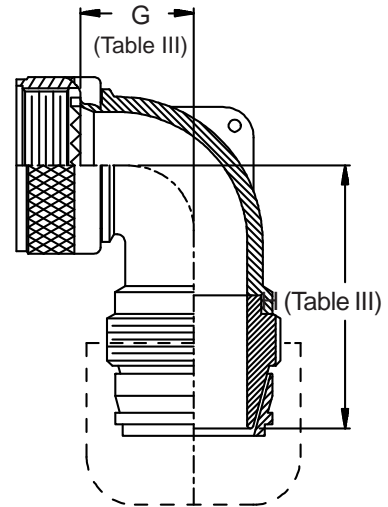
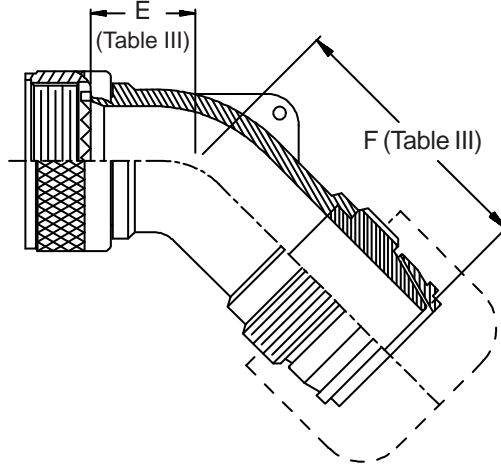
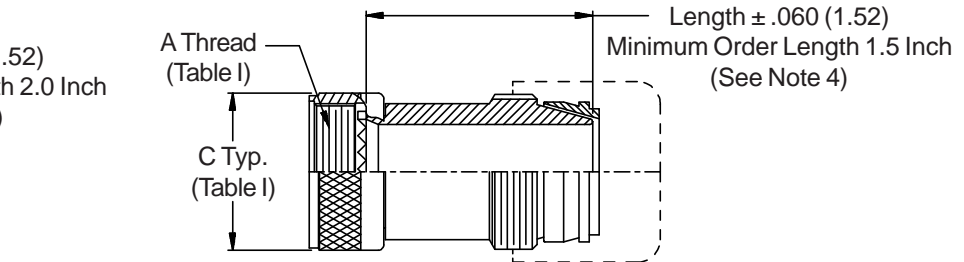
TYPE C OVERALL SHIELD TERMINATION



STYLE 2 (STRAIGHT)
 See Note 1)



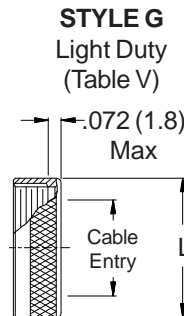
STYLE 2 (45° & 90°)
 See Note 1)



STYLE L
 Light Duty
 (Table IV)

-445 Now Available with the "NESTOR"

Glenair's Non-Detent, Spring-Loaded, Self-Locking Coupling.
 Add "-445" to Specify This AS85049 Style "N" Coupling Interface.



STYLE G
 Light Duty
 (Table V)

380-007 EMI/RFI Non-Environmental Backshell Light-Duty with Strain Relief Type C - Rotatable Coupling - Low Profile



See inside back cover fold-out or pages 13 and 14 for unabridged Tables I and II.

TABLE III: ELBOW DIMENSIONS

Shell Size	Conn. Desig.		E	F	G	H
A-F-L-S	H		Max	Max	Max	Max
08	09		.457 (11.6)	1.680 (42.7)	.500 (12.7)	1.781 (45.2)
10	11		.520 (13.2)	1.740 (44.2)	.595 (15.1)	1.901 (48.3)
12	13		.582 (14.8)	1.800 (45.7)	.610 (15.5)	1.921 (48.8)
14	15		.645 (16.4)	1.890 (48.0)	.700 (17.8)	1.991 (50.6)
16	17		.738 (18.7)	2.000 (50.8)	.885 (22.5)	2.081 (52.9)
18	19		.926 (23.5)	2.190 (55.6)	.975 (24.8)	2.251 (57.2)
20	21		.926 (23.5)	2.190 (55.6)	.975 (24.8)	2.251 (57.2)
22	23		1.020 (25.9)	2.340 (59.4)	1.125 (28.6)	2.361 (60.0)
24	25		1.020 (25.9)	2.340 (59.4)	1.125 (28.6)	2.361 (60.0)
28			1.145 (29.1)	2.390 (60.7)	1.225 (31.1)	2.531 (64.3)
36			1.207 (30.7)	2.490 (63.2)	1.575 (40.0)	2.781 (70.6)
40			1.238 (31.4)	2.580 (65.5)	1.775 (45.1)	2.781 (70.6)

TABLE II: STANDARD FINISHES

GLENAIR	
SYMBOL	FINISH
B	Cadmium Plate, Olive Drab
M	Electroless Nickel
NF	Cadmium Plate, Olive Drab Over Electroless Nickel
See Inside Back Cover for Additional Finish Options	

TABLE IV: CABLE ENTRY

Dash No.	K Max	Cable Range	
		Min	Max
01	.781 (19.8)	.062 (1.6)	.125 (3.2)
02	.968 (24.6)	.125 (3.2)	.250 (6.4)
03	1.046 (26.6)	.250 (6.4)	.375 (9.5)
04	1.156 (29.4)	.250 (6.4)	.500 (12.7)
05	1.218 (30.9)	.375 (9.5)	.625 (15.9)
06	1.343 (34.1)	.500 (12.7)	.750 (19.1)
07	1.468 (37.3)	.625 (15.9)	.875 (22.2)
08	1.593 (40.5)	.625 (15.9)	1.000 (25.4)
09	1.718 (43.6)	.750 (19.1)	1.125 (28.6)
10	1.843 (46.8)	.875 (22.2)	1.250 (31.8)

TABLE V: CABLE ENTRY

Dash No.	L Max	Cable Entry Max
02	.718 (18.2)	.250 (6.4)
03	.843 (21.4)	.375 (9.5)
04	.968 (24.6)	.500 (12.7)
05	1.109 (28.2)	.625 (15.9)
06	1.218 (30.9)	.750 (19.1)
07	1.343 (34.1)	.875 (22.2)
08	1.468 (37.3)	1.000 (25.4)
09	1.593 (40.5)	1.125 (28.6)
10	1.718 (43.6)	1.250 (31.8)

1. When maximum cable entry (page 21) is exceeded, Style 2 will be supplied. Dimensions E, F, G and H will not apply. Please consult factory.
2. Metric dimensions (mm) are indicated in parentheses.
3. Cable range is defined as the accommodations range for the wire bundle or cable. Dimensions shown are not intended for inspection criteria.
4. Consult factory for shorter lengths on straight backshells.