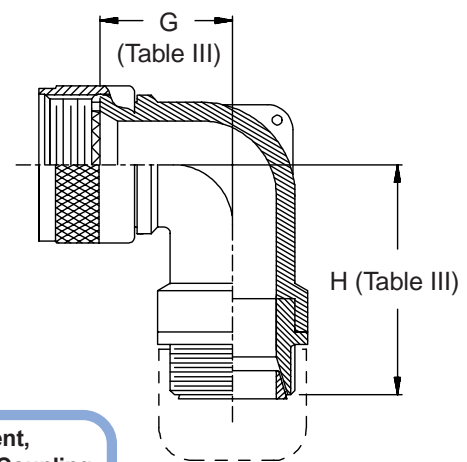
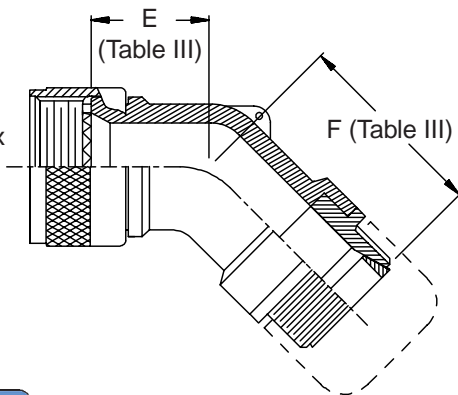
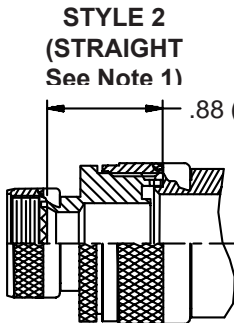
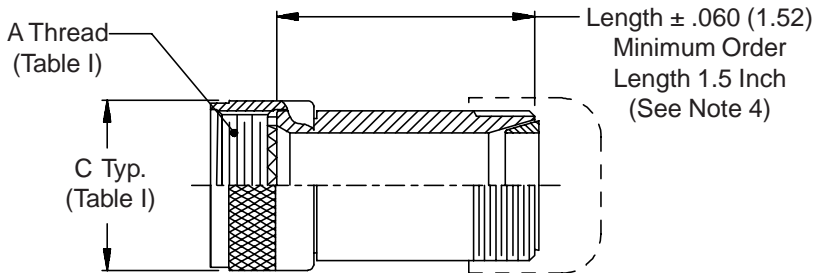
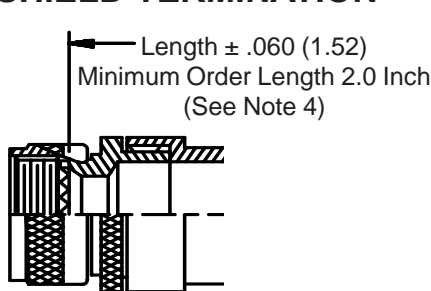
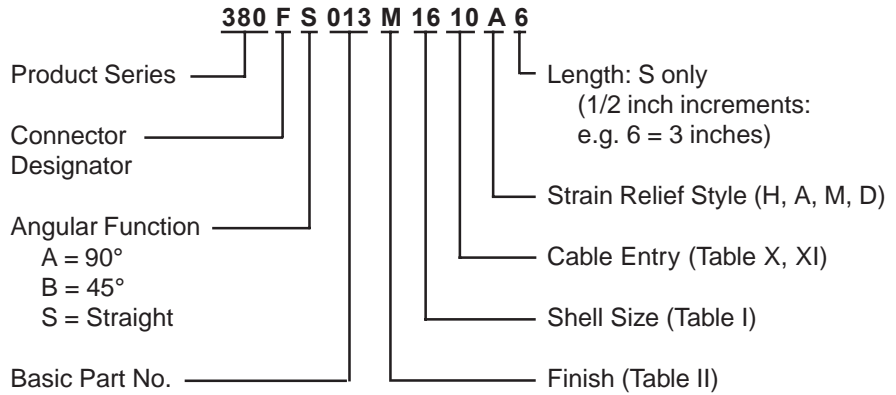


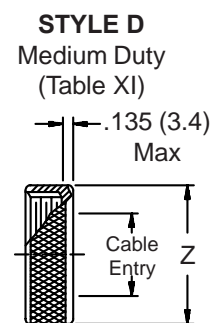
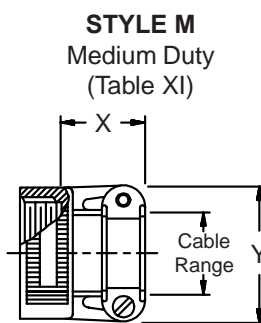
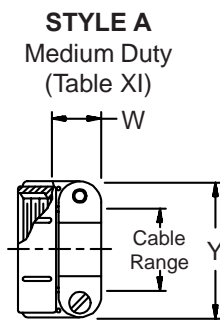
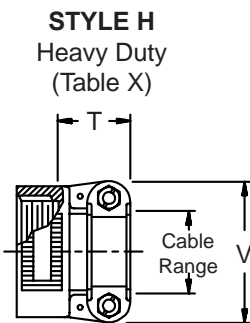
**CONNECTOR  
DESIGNATORS  
A-F-H-L-S  
ROTATABLE  
COUPLING**

**TYPE D INDIVIDUAL  
OR OVERALL  
SHIELD TERMINATION**



**STYLE 2  
(45° & 90°  
See Note 1)**

**-445** Add "-445" to Specify Glenair's Non-Detent, ("NESTOR") Spring-Loaded, Self-Locking Coupling. See Page 41 for Details.



**380-013**  
**EMI/RFI Non-Environmental Backshell**  
**with Strain Relief**  
**Type D - Rotatable Coupling - Low Profile**



**TABLE III: ELBOW DIMENSIONS**

Shell Size		E		F		G		H	
Conn. Desig.	H	Max		Max		Max		Max	
A-F-L-S									
08	09	.457	(11.6)	1.730	(43.9)	.560	(14.2)	1.680	(42.7)
10	11	.520	(13.2)	1.730	(43.9)	.660	(16.8)	1.800	(45.7)
12	13	.582	(14.8)	1.790	(45.5)	.670	(17.0)	1.820	(46.2)
14	15	.645	(16.4)	1.880	(47.8)	.760	(19.3)	1.890	(48.0)
16	17	.738	(18.7)	1.990	(50.5)	.950	(24.1)	1.980	(50.3)
18	19	.926	(23.5)	2.180	(55.4)	1.030	(26.2)	2.150	(54.6)
20	21	.926	(23.5)	2.180	(55.4)	1.030	(26.2)	2.150	(54.6)
22	23	1.020	(25.9)	2.330	(59.2)	1.180	(30.0)	2.260	(57.4)
24	25	1.020	(25.9)	2.330	(59.2)	1.180	(30.0)	2.260	(57.4)
28		1.145	(29.1)	2.380	(60.5)	1.280	(32.5)	2.430	(61.7)
32		1.207	(30.7)	2.480	(63.0)	1.630	(41.4)	2.680	(68.1)
36		1.238	(31.4)	2.570	(65.3)	1.830	(46.5)	2.680	(68.1)

See inside back cover  
fold-out or pages 13 and  
14 for unabridged  
**Tables I and II.**

**TABLE II: STANDARD FINISHES**

GLENAIR	
SYMBOL	FINISH
B	Cadmium Plate, Olive Drab
M	Electroless Nickel
NF	Cadmium Plate, Olive Drab Over Electroless Nickel
See Inside Back Cover for Additional Finish Options	

**TABLE X: CABLE ENTRY**

Dash No.	T Max	V Max	Cable Range			
			Min		Max	
04	.780 (19.8)	.957 (24.3)	.125 (3.2)	.312 (7.9)		
06	.780 (19.8)	1.145 (29.1)	.250 (6.4)	.437 (11.1)		
08	.780 (19.8)	1.332 (33.8)	.312 (7.9)	.562 (14.3)		
10	.780 (19.8)	1.332 (33.8)	.350 (8.9)	.625 (15.9)		
12	.811 (20.6)	1.551 (39.4)	.500 (12.7)	.750 (19.1)		
16	.905 (23.0)	1.770 (45.0)	.625 (15.9)	.937 (23.8)		
20	1.092 (27.7)	2.113 (53.7)	.875 (22.2)	1.250 (31.8)		
24	1.124 (28.5)	2.363 (60.0)	1.000 (25.4)	1.375 (34.9)		
28	1.399 (35.5)	2.770 (70.4)	1.250 (31.8)	1.625 (41.3)		
32	1.399 (35.5)	3.020 (76.7)	1.437 (36.5)	1.875 (47.6)		

- When maximum cable entry (page 21) is exceeded, Style 2 will be supplied. Dimensions E, F, G and H will not apply. Please consult factory.
- Metric dimensions (mm) are indicated in parentheses.
- Cable range is defined as the accommodations range for the wire bundle or cable. Dimensions shown are not intended for inspection criteria.
- Consult factory for shorter lengths on straight backshells.

**TABLE XI: CABLE ENTRY**

Dash No.	W Max	X Max	Y Max	Z Max	Cable Range		
					Min **		Max
03*	.437 (11.1)	.760 (19.3)	.843 (21.4)	.630 (16.0)	.156 (4.0)	.250 (6.4)	
04*	.437 (11.1)	.760 (19.3)	.906 (23.0)	.755 (19.2)	.188 (4.8)	.312 (7.9)	
06*	.500 (12.7)	.760 (19.3)	1.093 (27.8)	.942 (23.9)	.281 (7.1)	.438 (11.1)	
08	.563 (14.3)	.760 (19.3)	1.187 (30.1)	1.067 (27.1)	.344 (8.7)	.562 (14.3)	
10	.563 (14.3)	.760 (19.3)	1.281 (32.5)	1.192 (30.3)	.375 (9.5)	.625 (15.9)	
12	.563 (14.3)	.760 (19.3)	1.500 (38.1)	1.380 (35.1)	.438 (11.1)	.750 (19.1)	
16	.656 (16.7)	1.073 (27.3)	1.719 (43.7)	1.535 (39.0)	.562 (14.3)	.938 (23.8)	
20	.656 (16.7)	1.323 (33.6)	2.062 (52.4)	1.848 (46.9)	.750 (19.1)	1.250 (31.8)	
24	.656 (16.7)	1.323 (33.6)	2.312 (58.7)	2.255 (57.3)	.781 (19.8)	1.375 (34.9)	
28	1.188 (30.2)	1.572 (39.9)	2.719 (69.1)	2.505 (63.6)	.969 (24.6)	1.625 (41.3)	
32*	1.187 (30.1)	1.572 (39.9)	2.969 (75.4)	2.755 (70.0)	1.125 (28.6)	1.875 (47.6)	
40*	1.125 (28.6)	1.572 (39.9)	3.531 (89.7)	3.255 (82.7)	1.469 (37.3)	2.375 (60.3)	

\* Not available in Style M clamp.      \*\* Not Applicable Style D