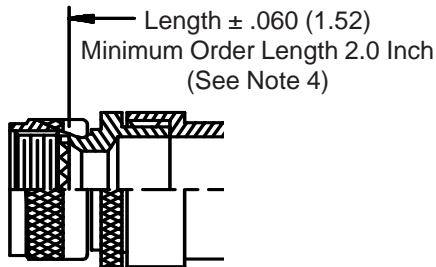
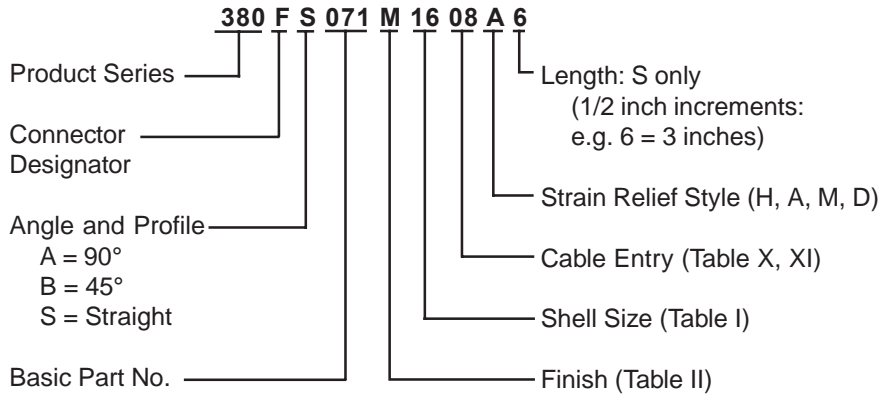
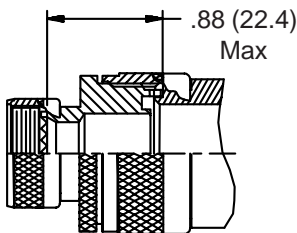
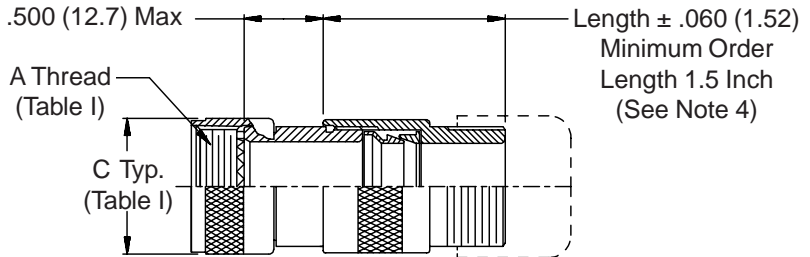


380-071
EMI/RFI Non-Environmental Backshell
 with Strain Relief
Type G - Rotatable Coupling - Low Profile

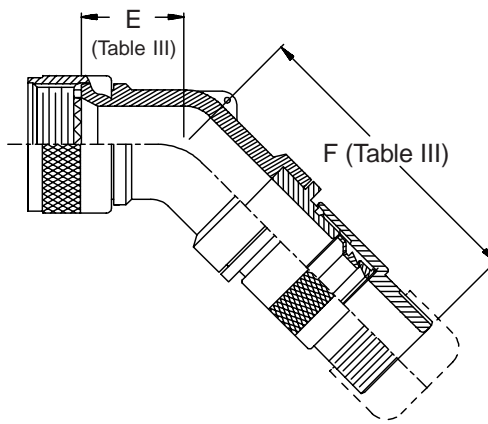
**CONNECTOR
 DESIGNATORS**
A-F-H-L-S
**ROTATABLE
 COUPLING**
**TYPE G INDIVIDUAL
 OR OVERALL
 SHIELD TERMINATION**



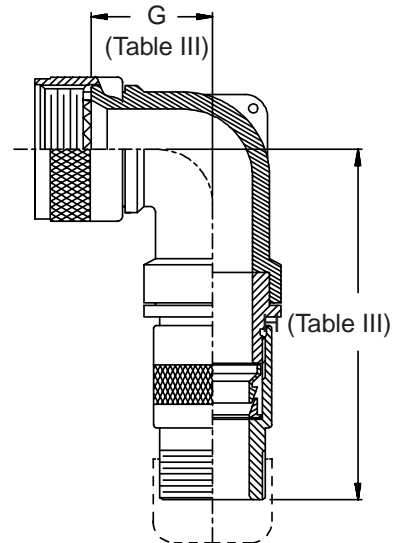
STYLE 2
(STRAIGHT
 See Note 1)



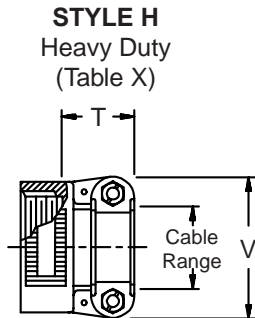
STYLE 2
(45° & 90°
 See Note 1)



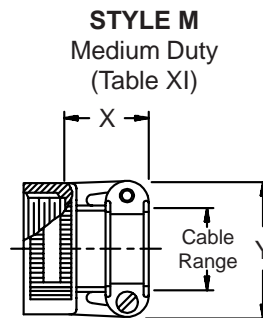
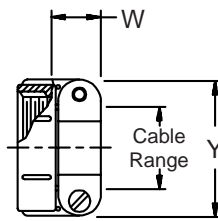
STYLE A
 Medium Duty
 (Table XI)



STYLE D
 Medium Duty
 (Table XI)



STYLE H
 Heavy Duty
 (Table X)



STYLE M
 Medium Duty
 (Table XI)

