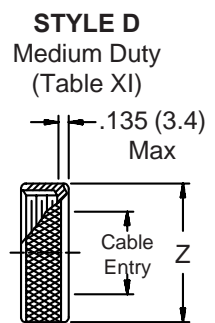
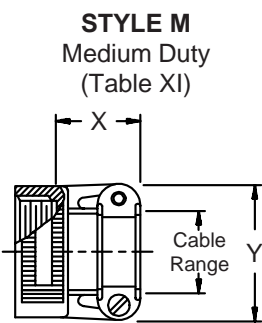
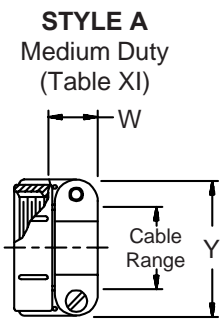
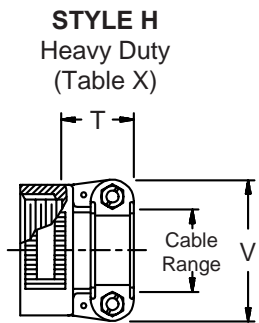
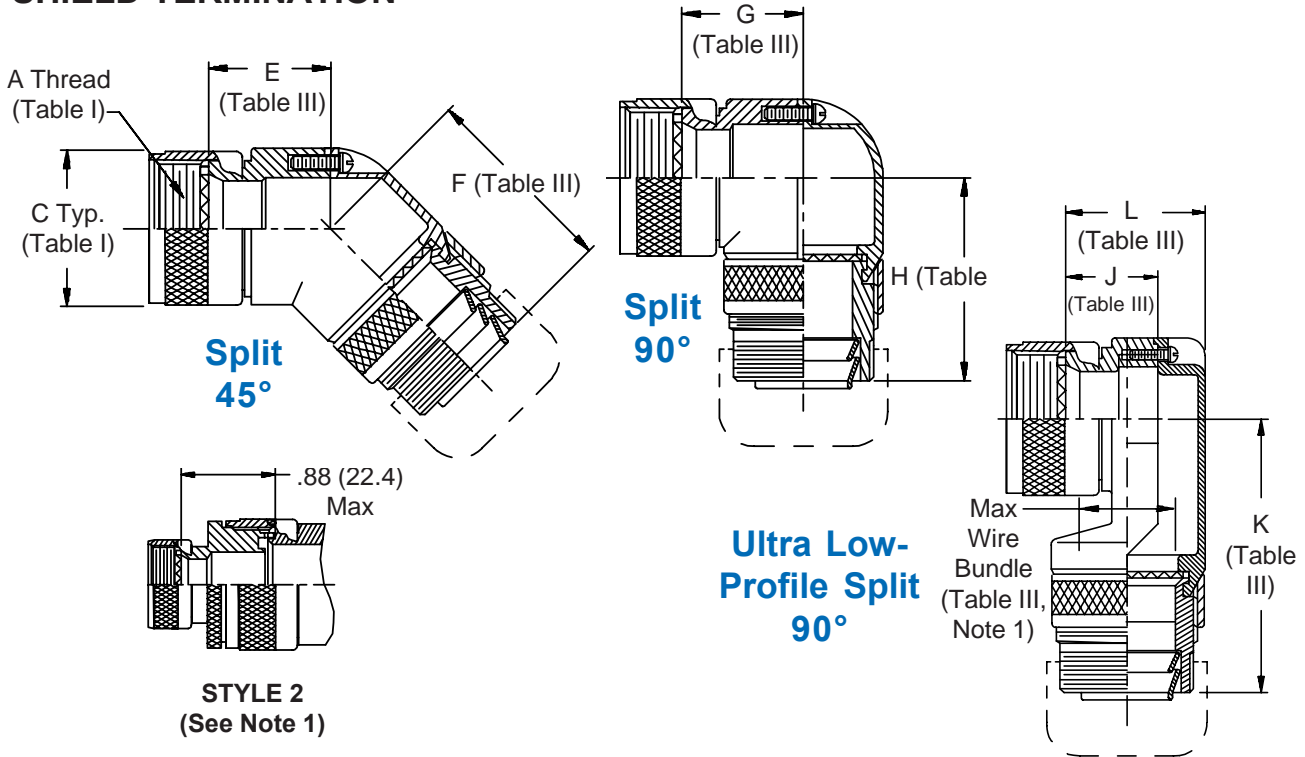
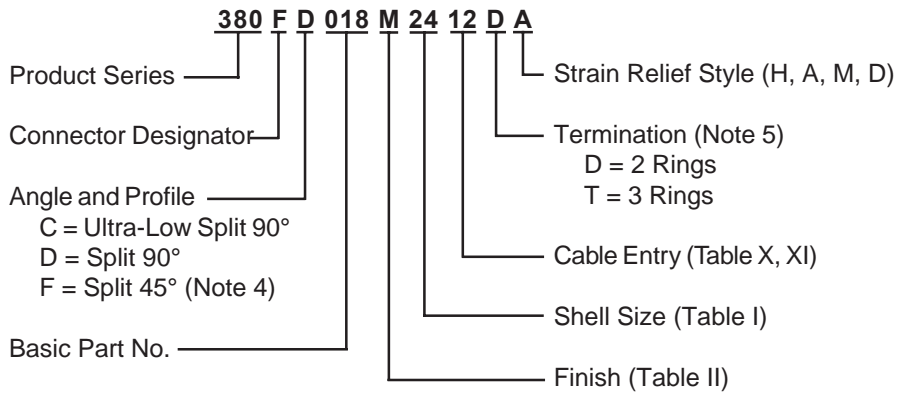


**CONNECTOR
 DESIGNATORS
 A-F-H-L-S
 ROTATABLE
 COUPLING
 TYPE E INDIVIDUAL
 AND/OR OVERALL
 SHIELD TERMINATION**



380-018
EMI/RFI Non-Environmental Backshell
 with Strain Relief
 Type E - Rotatable Coupling - Split Shell



See inside back cover fold-out or pages 13 and 14 for unabridged Tables I and II.

TABLE III: ELBOW DIMENSIONS

| Shell Size | E | F | G | H | J | K | L | Function C |
|------------|-------------|--------------|--------------|--------------|-------------|--------------|--------------|-----------------|
| | Max | Max | Max | Max | Max | Max | Max | Max Wire Bundle |
| 08/09 | .440 (11.2) | 1.590 (40.4) | .680 (17.3) | 1.530 (38.9) | .340 (8.6) | 1.840 (46.7) | .681 (17.3) | .250 (6.4) |
| 10/11 | .500 (12.7) | 1.650 (41.9) | .750 (19.1) | 1.590 (40.4) | .270 (6.9) | 2.000 (50.8) | .731 (18.6) | .375 (9.5) |
| 12/13 | .560 (14.2) | 1.720 (43.7) | .810 (20.6) | 1.660 (42.2) | .270 (6.9) | 2.000 (50.8) | .731 (18.6) | .375 (9.5) |
| 14/15 | .620 (15.7) | 1.750 (44.5) | .870 (22.1) | 1.690 (42.9) | .280 (7.1) | 2.070 (52.6) | .831 (21.1) | .500 (12.7) |
| 16/17 | .680 (17.3) | 1.850 (47.0) | .930 (23.6) | 1.790 (45.5) | .420 (10.7) | 2.120 (53.8) | .981 (24.9) | .625 (15.9) |
| 18/19 | .750 (19.1) | 1.910 (48.5) | 1.000 (25.4) | 1.850 (47.0) | .640 (16.3) | 2.150 (54.6) | 1.181 (30.0) | .625 (15.9) |
| 20/21 | .820 (20.8) | 1.970 (50.0) | 1.060 (26.9) | 1.910 (48.5) | .640 (16.3) | 2.150 (54.6) | 1.181 (30.0) | .625 (15.9) |
| 22/23 | .880 (22.4) | 2.030 (51.6) | 1.120 (28.4) | 1.970 (50.0) | .540 (13.7) | 2.300 (58.4) | 1.181 (30.0) | .750 (19.1) |
| 24/25 | .940 (23.9) | 2.090 (53.1) | 1.180 (30.0) | 2.030 (51.6) | .540 (13.7) | 2.300 (58.4) | 1.181 (30.0) | .750 (19.1) |

TABLE X: CABLE ENTRY

| Dash No. | T Max | V Max | Cable Range | |
|----------|--------------|--------------|--------------|--------------|
| | | | Min | Max |
| 04 | .780 (19.8) | .957 (24.3) | .125 (3.2) | .312 (7.9) |
| 06 | .780 (19.8) | 1.145 (29.1) | .250 (6.4) | .437 (11.1) |
| 08 | .780 (19.8) | 1.332 (33.8) | .312 (7.9) | .562 (14.3) |
| 10 | .780 (19.8) | 1.332 (33.8) | .350 (8.9) | .625 (15.9) |
| 12 | .811 (20.6) | 1.551 (39.4) | .500 (12.7) | .750 (19.1) |
| 16 | .905 (23.0) | 1.770 (45.0) | .625 (15.9) | .937 (23.8) |
| 20 | 1.092 (27.7) | 2.113 (53.7) | .875 (22.2) | 1.250 (31.8) |
| 24 | 1.124 (28.5) | 2.363 (60.0) | 1.000 (25.4) | 1.375 (34.9) |
| 28 | 1.399 (35.5) | 2.770 (70.4) | 1.250 (31.8) | 1.625 (41.3) |
| 32 | 1.399 (35.5) | 3.020 (76.7) | 1.437 (36.5) | 1.875 (47.6) |

1. When maximum cable entry (page 21) is exceeded, Style 2 will be supplied (not available in Function C). Dimensions E, F, G and H will not apply. Please consult factory.
2. Metric dimensions (mm) are indicated in parentheses.
3. Cable range is defined as the accommodations range for the wire bundle or cable. Dimensions shown are not intended for inspection criteria.

4. Consult factory for available sizes of 45° (Symbol F).
5. Designate termination symbol T for 3 ring termination of individual and overall braid. Designate D for standard 2 ring termination of individual or overall braid.
6. Angular function "C", low-profile split elbow, not available with "S" connector designator.

TABLE II: STANDARD FINISHES

| GLENAIR SYMBOL | FINISH |
|---|---|
| B | Cadmium Plate, Olive Drab |
| M | Electroless Nickel |
| NF | Cadmium Plate, Olive Drab Over Electroless Nickel |
| See Inside Back Cover for Additional Finish Options | |

TABLE XI: CABLE ENTRY

| Dash No. | W Max | X Max | Y Max | Z Max | Cable Range | |
|----------|--------------|--------------|--------------|--------------|--------------|--------------|
| | | | | | Min ** | Max |
| 03* | .437 (11.1) | .760 (19.3) | .843 (21.4) | .630 (16.0) | .156 (4.0) | .250 (6.4) |
| 04* | .437 (11.1) | .760 (19.3) | .906 (23.0) | .755 (19.2) | .188 (4.8) | .312 (7.9) |
| 06* | .500 (12.7) | .760 (19.3) | 1.093 (27.8) | .942 (23.9) | .281 (7.1) | .438 (11.1) |
| 08 | .563 (14.3) | .760 (19.3) | 1.187 (30.1) | 1.067 (27.1) | .344 (8.7) | .562 (14.3) |
| 10 | .563 (14.3) | .760 (19.3) | 1.281 (32.5) | 1.192 (30.3) | .375 (9.5) | .625 (15.9) |
| 12 | .563 (14.3) | .760 (19.3) | 1.500 (38.1) | 1.380 (35.1) | .438 (11.1) | .750 (19.1) |
| 16 | .656 (16.7) | 1.073 (27.3) | 1.719 (43.7) | 1.535 (39.0) | .562 (14.3) | .938 (23.8) |
| 20 | .656 (16.7) | 1.323 (33.6) | 2.062 (52.4) | 1.848 (46.9) | .750 (19.1) | 1.250 (31.8) |
| 24 | .656 (16.7) | 1.323 (33.6) | 2.312 (58.7) | 2.255 (57.3) | .781 (19.8) | 1.375 (34.9) |
| 28 | 1.188 (30.2) | 1.572 (39.9) | 2.719 (69.1) | 2.505 (63.6) | .969 (24.6) | 1.625 (41.3) |
| 32* | 1.187 (30.1) | 1.572 (39.9) | 2.969 (75.4) | 2.755 (70.0) | 1.125 (28.6) | 1.875 (47.6) |
| 40* | 1.125 (28.6) | 1.572 (39.9) | 3.531 (89.7) | 3.255 (82.7) | 1.469 (37.3) | 2.375 (60.3) |

* Not available in Style M clamp. ** Not Applicable Style D