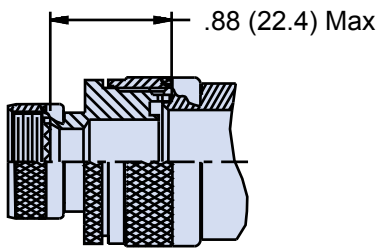
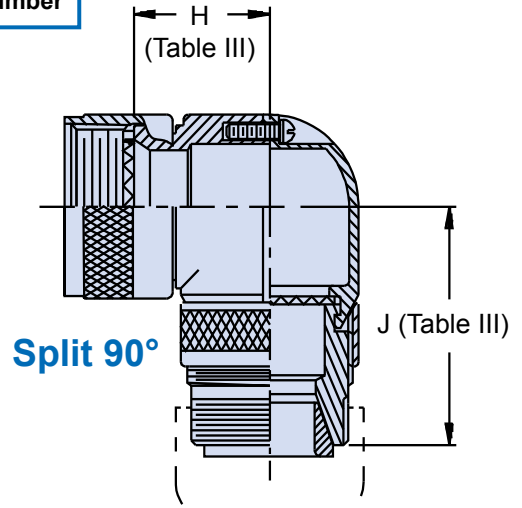
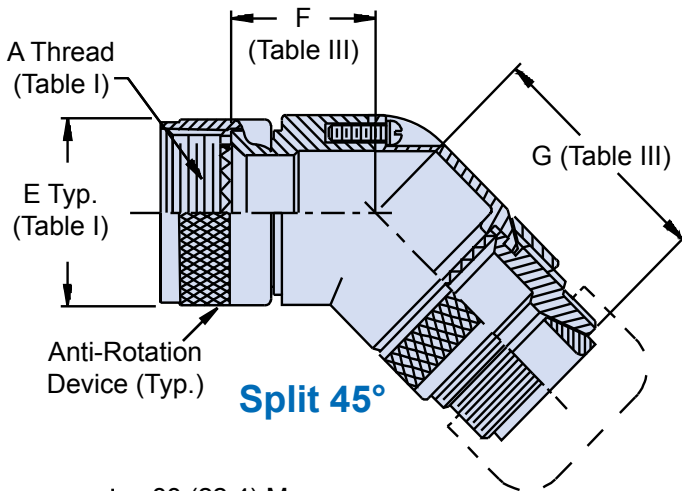
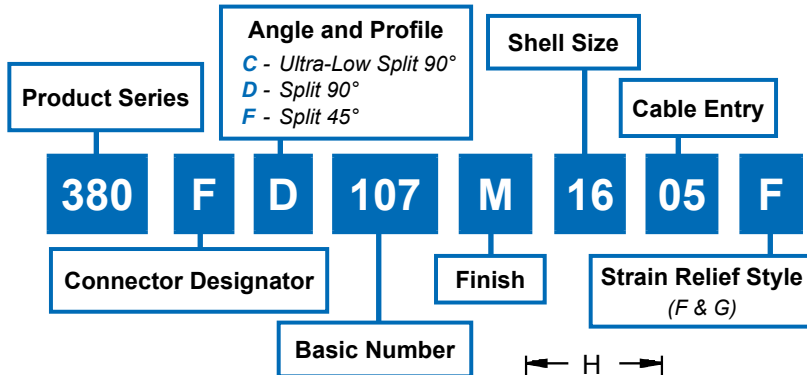


**Connector Designators:**

MIL-DTL-38999 Series I, II (F)  
 MIL-DTL-38999 Series III and IV (H)

**F-H**

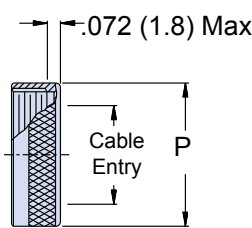
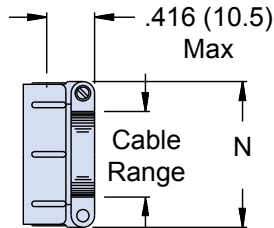
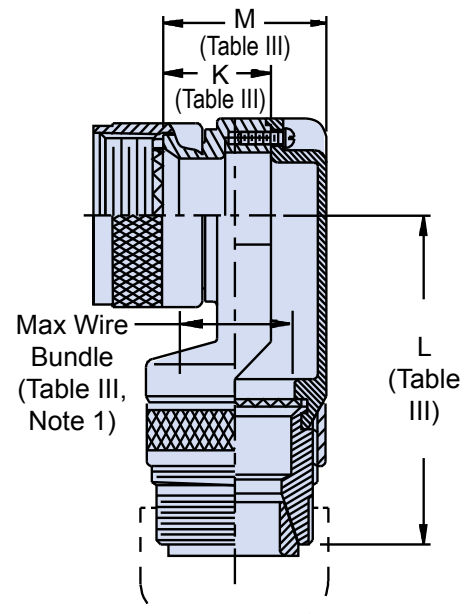
**SELF-LOCKING  
 ROTATABLE  
 COUPLING  
 TYPE D INDIVIDUAL  
 OR OVERALL  
 SHIELD TERMINATION**



**STYLE 2**  
(See Note 1)

**STYLE F**  
Light Duty  
(Table IV)

**STYLE G**  
Light Duty  
(Table V)



**380-107**  
**EMI/RFI Non-Environmental Backshell**  
with Strain Relief  
**Type D - Self-Locking - Rotatable Coupling - Split Shell**



TABLE III: ELBOW DIMENSIONS AND MAXIMUM WIRE BUNDLE								
Shell Size	F Max	G Max	H Max	J Max	K Max	L Max	M Max	Function C Max Wire Bundle
08/09	.596 (15.1)	1.730 (43.9)	.836 (21.2)	1.670 (42.4)	.496 (12.6)	1.920 (48.8)	.837 (21.3)	250 (6.4)
10/11	.656 (16.7)	1.785 (45.3)	.906 (23.0)	1.725 (43.8)	.426 (10.8)	2.080 (52.8)	.887 (22.5)	.375 (9.5)
12/13	.716 (18.2)	1.855 (47.1)	.966 (24.5)	1.795 (45.6)	.426 (10.8)	2.080 (52.8)	.887 (22.5)	.375 (9.5)
14/15	.776 (19.7)	1.887 (47.9)	1.026 (26.1)	1.827 (46.4)	.436 (11.1)	2.150 (54.6)	.987 (25.1)	.500 (12.7)
16/17	.836 (21.2)	1.987 (50.5)	1.086 (27.6)	1.927 (48.9)	.576 (14.6)	2.200 (55.9)	1.137 (28.9)	.625 (15.9)
18/19	.906 (23.0)	2.045 (51.9)	1.156 (29.4)	1.985 (50.4)	.796 (20.2)	2.230 (56.6)	1.337 (34.0)	.625 (15.9)
20/21	.976 (24.8)	2.106 (53.5)	1.216 (30.9)	2.046 (52.0)	.796 (20.2)	2.230 (56.6)	1.337 (34.0)	.625 (15.9)
22/23	1.036 (26.3)	2.167 (55.0)	1.276 (32.4)	2.107 (53.5)	.696 (17.7)	2.380 (60.5)	1.337 (34.0)	.750 (19.1)
24/25	1.096 (27.8)	2.225 (56.5)	1.336 (33.9)	2.165 (55.0)	.696 (17.7)	2.380 (60.5)	1.337 (34.0)	.750 (19.1)

TABLE II: FINISHES	
Symbol	Finish
B	Cadmium Plate, Olive Drab
C	Anodize, Black
GB	Black Anodize, Hard Coat
M	Electroless Nickel
N	Cad Plate, Olive Drab over Electroless Nickel
NF	Cadmium Plate, Olive Drab over Electroless Nickel
MT	Ni-PTFE 1000 Hour Grey™ Nickel Fluorocarbon Polymer
ZN	Zinc-Nickel

TABLE IV: CABLE RANGE			
Dash No.	N Max	Cable Range	
		Min	Max
02	.968 (24.6)	.125 (3.2)	.250 (6.4)
03	1.046 (26.6)	.250 (6.4)	.375 (9.5)
04	1.156 (29.4)	.312 (7.9)	.500 (12.7)
05	1.218 (30.9)	.437 (11.1)	.625 (15.9)
06	1.343 (34.1)	.562 (14.3)	.750 (19.1)
07	1.468 (37.3)	.687 (17.4)	.875 (22.2)
08	1.593 (40.5)	.812 (20.6)	1.000 (25.4)
10	1.843 (46.8)	1.062 (27.0)	1.250 (31.8)

TABLE V: CABLE RANGE		
Dash No.	N Max	Cable Entry Max
02	.656 (16.7)	.125 (3.2)
03	.781 (19.8)	.250 (6.4)
04	.906 (23.0)	.375 (9.5)
05	1.031 (26.2)	.500 (12.7)
06	1.156 (29.4)	.625 (15.9)
07	1.281 (32.5)	.750 (19.1)
08	1.406 (35.7)	.875 (22.2)
09	1.531 (38.9)	1.000 (25.4)
10	1.656 (42.1)	1.125 (28.6)

**APPLICATION NOTES**

1. When maximum cable entry is exceeded (not available in Function C), Style 2 will be supplied. Dimensions F, G, H and J will not apply. Please consult factory.
2. Cable range is defined as the accommodations range for the wire bundle or cable.
3. Dimensions shown are not intended for inspection criteria.
4. Angular function "C", low-profile split elbow, not available with "S" connector designator.
5. Metric dimensions (mm) are indicated in parentheses.