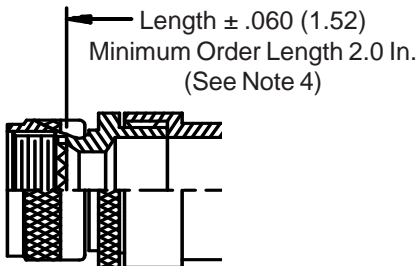
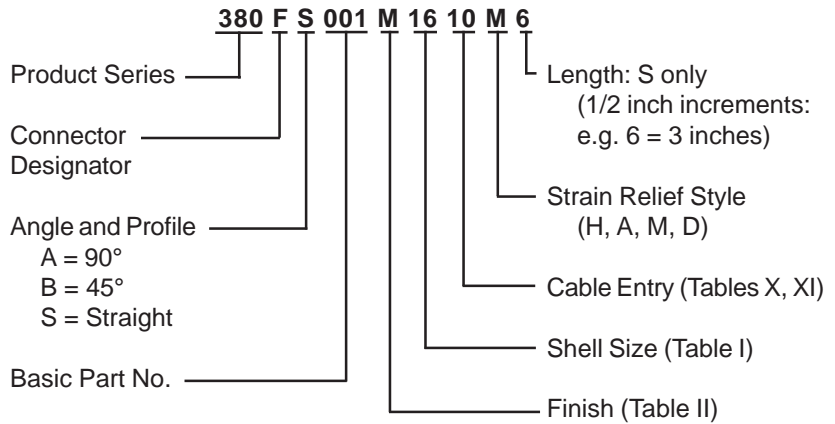
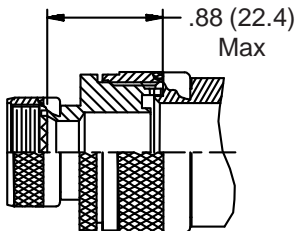


**380-001**  
**EMI/RFI Non-Environmental Backshell**  
 with Strain Relief  
**Type A - Rotatable Coupling - Low Profile**

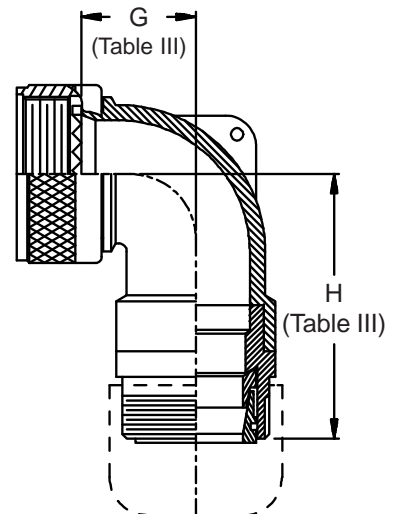
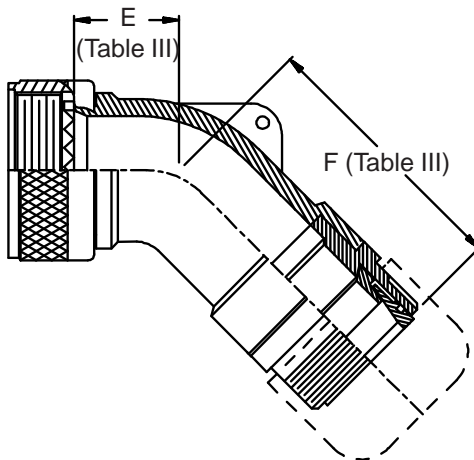
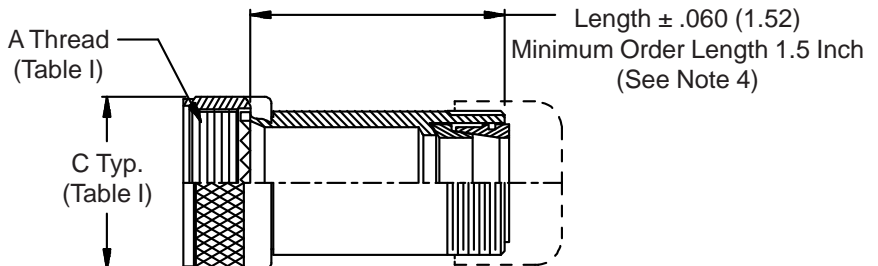
**CONNECTOR  
 DESIGNATOR**  
**A-F-H-L-S**  
**ROTATABLE  
 COUPLING**  
**TYPE A OVERALL  
 SHIELD TERMINATION**



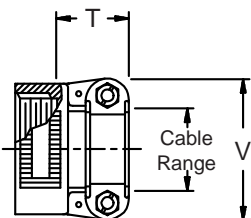
**STYLE 2  
 (STRAIGHT  
 See Note 1)**



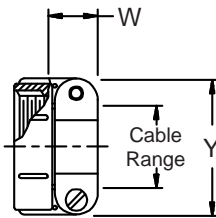
**STYLE 2  
 (45° & 90°  
 See Note 1)**



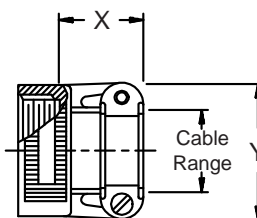
**STYLE H  
 Heavy Duty  
 (Table X)**



**STYLE A  
 Medium Duty  
 (Table XI)**



**STYLE M  
 Medium Duty  
 (Table XI)**



**STYLE D  
 Medium Duty  
 (Table XI)**

