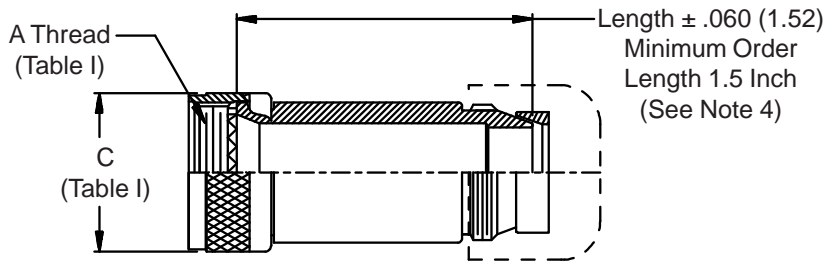
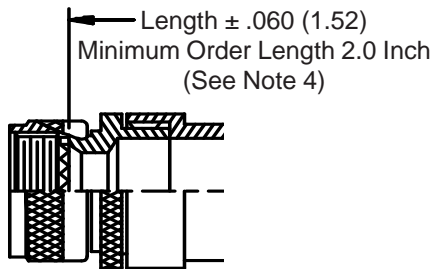
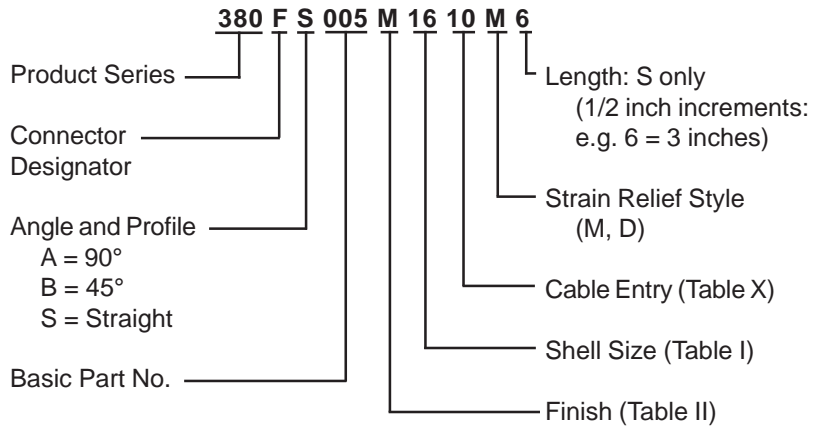
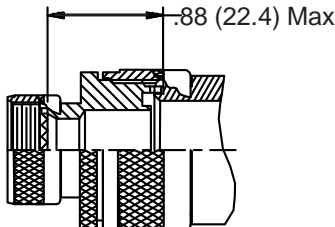


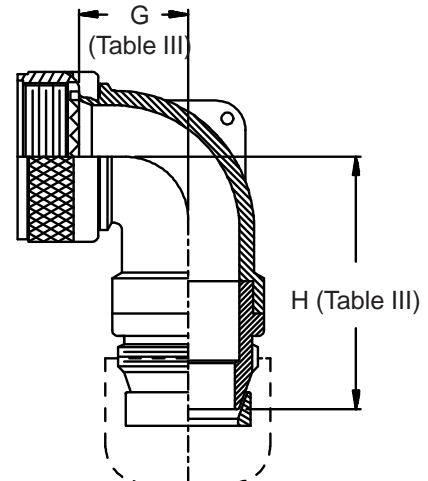
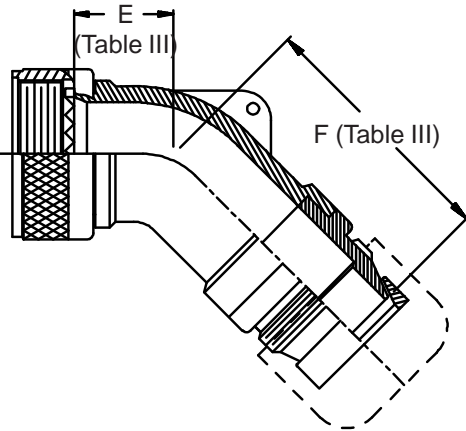
**CONNECTOR  
 DESIGNATORS**  
**A-F-H-L-S**  
**ROTATABLE  
 COUPLING**  
**TYPE C OVERALL  
 SHIELD TERMINATION**



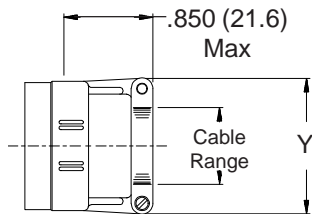
**STYLE 2  
 (STRAIGHT  
 See Note 1)**



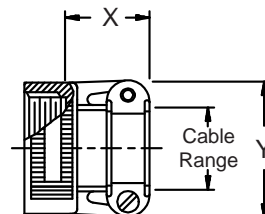
**STYLE 2  
 (45° & 90°  
 See Note 1)**



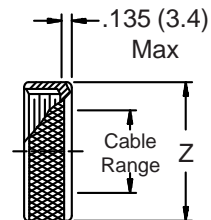
**STYLE M  
 Medium Duty - Dash No. 01-04  
 (Table X)**



**STYLE M  
 Medium Duty - Dash No. 10-28  
 (Table X)**



**STYLE D  
 Medium Duty  
 (Table X)**



**380-005**  
**EMI/RFI Non-Environmental Backshell**  
**Heavy-Duty with Strain Relief**  
**Type C - Rotatable Coupling - Low Profile**



See inside back cover fold-out or pages 13 and 14 for Unabridged Tables I and II.

**TABLE III: ELBOW DIMENSIONS**

| Shell Size   |    | E     |        | F     |        | G     |        | H     |        |
|--------------|----|-------|--------|-------|--------|-------|--------|-------|--------|
| Conn. Desig. | H  | Max   | (mm)   | Max   | (mm)   | Max   | (mm)   | Max   | (mm)   |
| A-F-L-S      |    |       |        |       |        |       |        |       |        |
| 08           | 09 | .457  | (11.6) | 1.848 | (46.9) | .500  | (12.7) | 1.858 | (47.2) |
| 10           | 11 | .520  | (13.2) | 1.908 | (48.5) | .595  | (15.1) | 1.978 | (50.2) |
| 12           | 13 | .582  | (14.8) | 1.968 | (50.0) | .610  | (15.5) | 1.998 | (50.7) |
| 14           | 15 | .645  | (16.4) | 2.347 | (59.6) | .700  | (17.8) | 2.357 | (59.9) |
| 16           | 17 | .738  | (18.7) | 2.457 | (62.4) | .885  | (22.5) | 2.447 | (62.2) |
| 18           | 19 | .926  | (23.5) | 2.647 | (67.2) | .975  | (24.8) | 2.617 | (66.5) |
| 20           | 21 | .926  | (23.5) | 2.647 | (67.2) | .975  | (24.8) | 2.617 | (66.5) |
| 22           | 23 | 1.020 | (25.9) | 2.922 | (74.2) | 1.125 | (28.6) | 2.852 | (72.4) |
| 24           | 25 | 1.020 | (25.9) | 2.922 | (74.2) | 1.125 | (28.6) | 2.852 | (72.4) |
| 28           |    | 1.145 | (29.1) | 2.972 | (75.5) | 1.225 | (31.1) | 3.022 | (76.8) |
| 32           |    | 1.207 | (30.7) | 3.072 | (78.0) | 1.575 | (40.0) | 3.272 | (83.1) |
| 36           |    | 1.238 | (31.4) | 3.162 | (80.3) | 1.775 | (45.1) | 3.272 | (83.1) |

**TABLE X: CABLE ENTRY**

| Dash No. | X Max        | Y Max        | Z Max        | Cable Range  |              |
|----------|--------------|--------------|--------------|--------------|--------------|
|          |              |              |              | Min          | Max          |
| 01       | .850 (21.6)  | .781 (19.8)  | .593 (15.1)  | .062 (1.6)   | .125 (3.2)   |
| 02       | .850 (21.6)  | .968 (24.6)  | .718 (18.2)  | .125 (3.2)   | .250 (6.4)   |
| 03       | .850 (21.6)  | 1.046 (26.6) | .843 (21.4)  | .250 (6.4)   | .375 (9.5)   |
| 04       | .850 (21.6)  | 1.156 (29.4) | .968 (24.6)  | .375 (9.5)   | .500 (12.7)  |
| 10       | .760 (19.3)  | 1.281 (32.5) | 1.192 (30.3) | .375 (9.5)   | .625 (15.9)  |
| 12       | .760 (19.3)  | 1.500 (38.1) | 1.380 (35.1) | .438 (11.1)  | .750 (19.1)  |
| 16       | 1.073 (27.3) | 1.719 (43.7) | 1.535 (39.0) | .562 (14.3)  | .938 (23.8)  |
| 20       | 1.323 (33.6) | 2.062 (52.4) | 1.848 (46.9) | .750 (19.1)  | 1.250 (31.8) |
| 24       | 1.323 (33.6) | 2.312 (58.7) | 2.255 (57.3) | .875 (22.2)  | 1.375 (34.9) |
| 28       | 1.572 (39.9) | 2.719 (69.1) | 2.505 (63.6) | 1.125 (28.6) | 1.625 (41.3) |

- When maximum cable entry (page 21) is exceeded, Style 2 will be supplied.  
Dimensions E, F, G and H will not apply. Please consult factory.
- Metric dimensions (mm) are indicated in parentheses.
- Cable range is defined as the accommodations range for the wire bundle or cable.  
Dimensions shown are not intended for inspection criteria.
- Consult factory for shorter lengths on straight backshells.

**TABLE II: STANDARD FINISHES**

| GLENAIR SYMBOL   | FINISH   |
|--|--|
| B  | Cadmium Plate, Olive Drab                            |
| M  | Electroless Nickel                                   |
| NF   | Cadmium Plate, Olive Drab<br>Over Electroless Nickel |
| See Inside Back Cover<br>for Additional Finish Options |  |