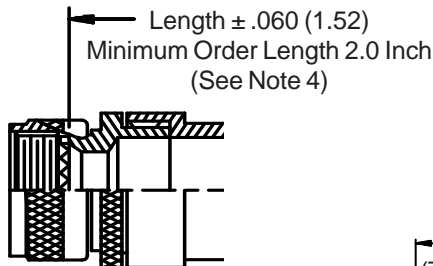
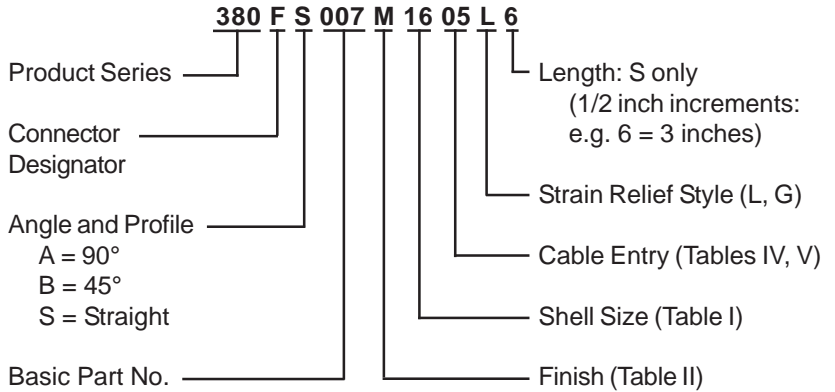


CONNECTOR DESIGNATORS
A-F-H-L-S

ROTATABLE COUPLING

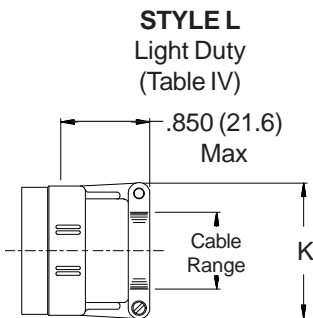
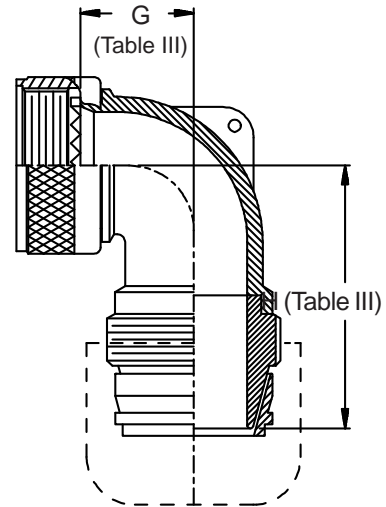
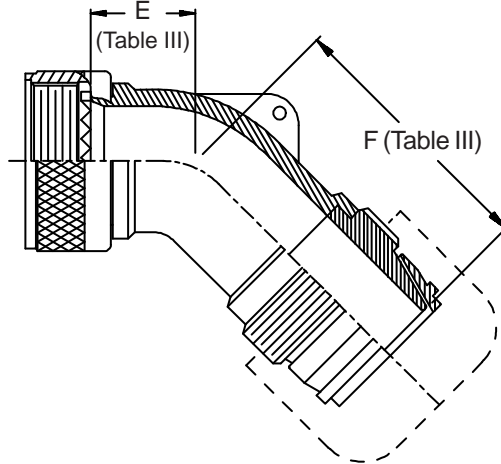
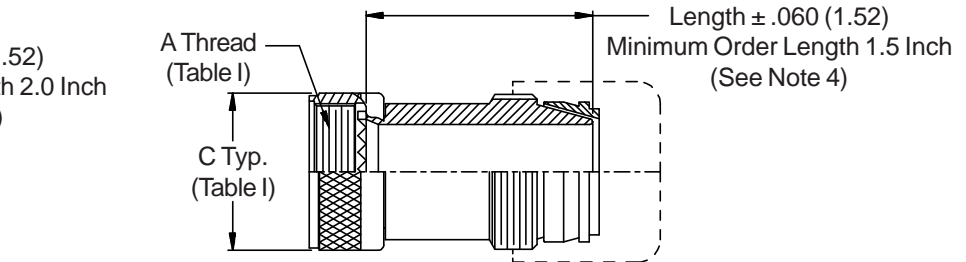
TYPE C OVERALL SHIELD TERMINATION



STYLE 2 (STRAIGHT)
 See Note 1)



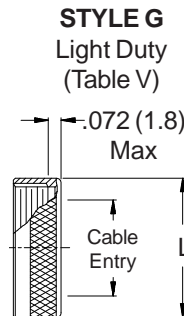
STYLE 2 (45° & 90°)
 See Note 1)



STYLE L
 Light Duty
 (Table IV)

-445 Now Available with the "NESTOR"

Glenair's Non-Detent, Spring-Loaded, Self-Locking Coupling.
 Add "-445" to Specify This AS85049 Style "N" Coupling Interface.



STYLE G
 Light Duty
 (Table V)

