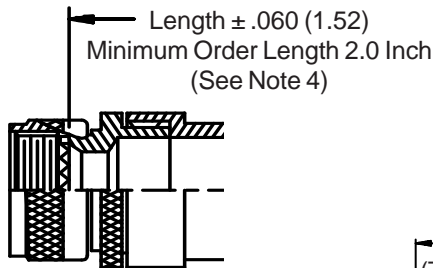
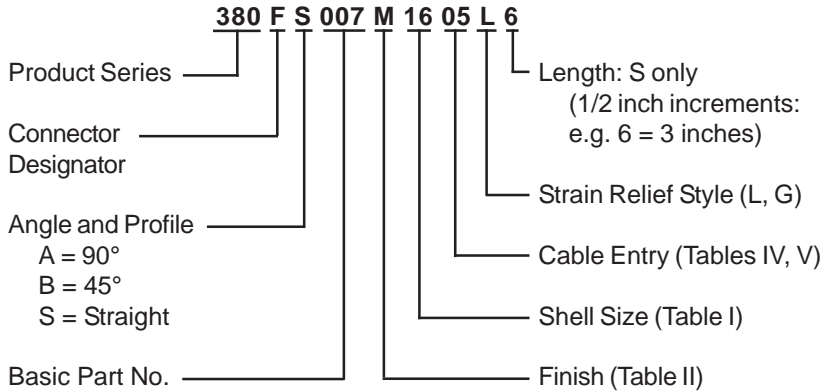


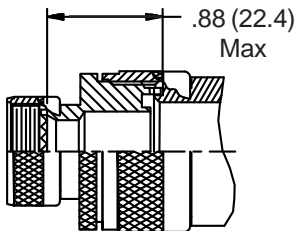
**CONNECTOR DESIGNATORS**  
**A-F-H-L-S**

**ROTATABLE COUPLING**

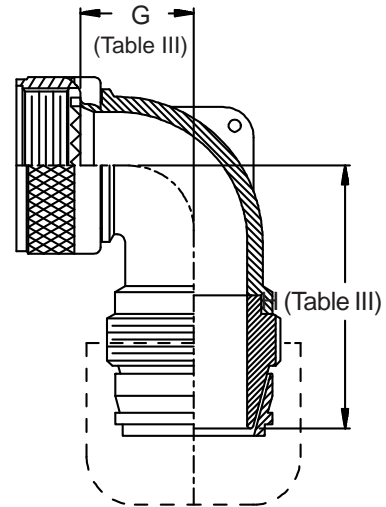
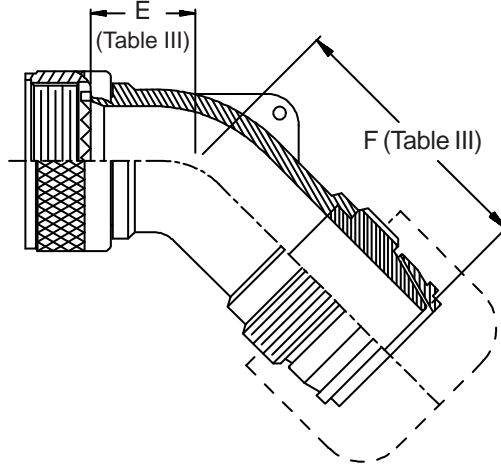
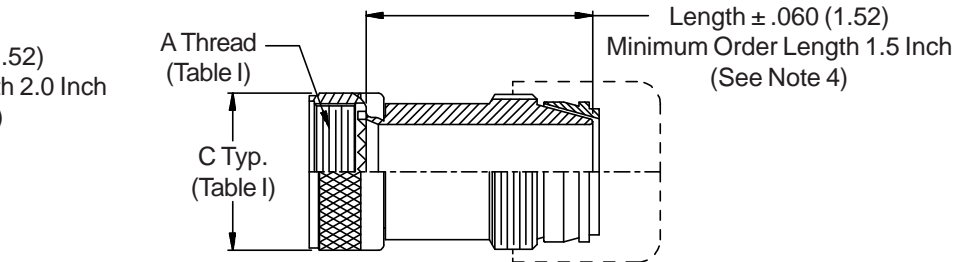
**TYPE C OVERALL SHIELD TERMINATION**



**STYLE 2 (STRAIGHT)**  
 See Note 1)



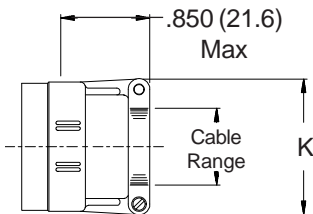
**STYLE 2 (45° & 90°)**  
 See Note 1)



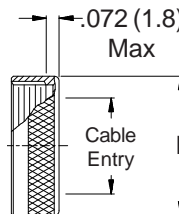
**-445** Now Available with the "NESTOR"

**Glenair's Non-Detent, Spring-Loaded, Self-Locking Coupling.**  
 Add "-445" to Specify This AS85049 Style "N" Coupling Interface.

**STYLE L**  
 Light Duty  
 (Table IV)



**STYLE G**  
 Light Duty  
 (Table V)



**380-007**  
**EMI/RFI Non-Environmental Backshell**  
**Light-Duty with Strain Relief**  
**Type C - Rotatable Coupling - Low Profile**



See inside back cover fold-out or pages 13 and 14 for unabridged Tables I and II.

**TABLE III: ELBOW DIMENSIONS**

| Shell Size   |    | E            | F            | G            | H            |
|--------------|----|--------------|--------------|--------------|--------------|
| Conn. Desig. | H  | Max          | Max          | Max          | Max          |
| A-F-L-S      |    |              |              |              |              |
| 08           | 09 | .457 (11.6)  | 1.680 (42.7) | .500 (12.7)  | 1.781 (45.2) |
| 10           | 11 | .520 (13.2)  | 1.740 (44.2) | .595 (15.1)  | 1.901 (48.3) |
| 12           | 13 | .582 (14.8)  | 1.800 (45.7) | .610 (15.5)  | 1.921 (48.8) |
| 14           | 15 | .645 (16.4)  | 1.890 (48.0) | .700 (17.8)  | 1.991 (50.6) |
| 16           | 17 | .738 (18.7)  | 2.000 (50.8) | .885 (22.5)  | 2.081 (52.9) |
| 18           | 19 | .926 (23.5)  | 2.190 (55.6) | .975 (24.8)  | 2.251 (57.2) |
| 20           | 21 | .926 (23.5)  | 2.190 (55.6) | .975 (24.8)  | 2.251 (57.2) |
| 22           | 23 | 1.020 (25.9) | 2.340 (59.4) | 1.125 (28.6) | 2.361 (60.0) |
| 24           | 25 | 1.020 (25.9) | 2.340 (59.4) | 1.125 (28.6) | 2.361 (60.0) |
| 28           |    | 1.145 (29.1) | 2.390 (60.7) | 1.225 (31.1) | 2.531 (64.3) |
| 36           |    | 1.207 (30.7) | 2.490 (63.2) | 1.575 (40.0) | 2.781 (70.6) |
| 40           |    | 1.238 (31.4) | 2.580 (65.5) | 1.775 (45.1) | 2.781 (70.6) |

**TABLE II: STANDARD FINISHES**

| GLENAIR  |  |
|--|--|
| SYMBOL   | FINISH   |
| B  | Cadmium Plate, Olive Drab                            |
| M  | Electroless Nickel                                   |
| NF   | Cadmium Plate, Olive Drab<br>Over Electroless Nickel |
| See Inside Back Cover<br>for Additional Finish Options |  |

**TABLE IV: CABLE ENTRY**

| Dash No. | K Max        | Cable Range |              |
|----------|--------------|-------------|--------------|
|          |              | Min         | Max          |
| 01       | .781 (19.8)  | .062 (1.6)  | .125 (3.2)   |
| 02       | .968 (24.6)  | .125 (3.2)  | .250 (6.4)   |
| 03       | 1.046 (26.6) | .250 (6.4)  | .375 (9.5)   |
| 04       | 1.156 (29.4) | .250 (6.4)  | .500 (12.7)  |
| 05       | 1.218 (30.9) | .375 (9.5)  | .625 (15.9)  |
| 06       | 1.343 (34.1) | .500 (12.7) | .750 (19.1)  |
| 07       | 1.468 (37.3) | .625 (15.9) | .875 (22.2)  |
| 08       | 1.593 (40.5) | .625 (15.9) | 1.000 (25.4) |
| 09       | 1.718 (43.6) | .750 (19.1) | 1.125 (28.6) |
| 10       | 1.843 (46.8) | .875 (22.2) | 1.250 (31.8) |

**TABLE V: CABLE ENTRY**

| Dash No. | L Max        | Cable Entry Max |
|----------|--------------|-----------------|
|          |              |                 |
| 01       | .593 (15.1)  | .125 (3.2)      |
| 02       | .718 (18.2)  | .250 (6.4)      |
| 03       | .843 (21.4)  | .375 (9.5)      |
| 04       | .968 (24.6)  | .500 (12.7)     |
| 05       | 1.109 (28.2) | .625 (15.9)     |
| 06       | 1.218 (30.9) | .750 (19.1)     |
| 07       | 1.343 (34.1) | .875 (22.2)     |
| 08       | 1.468 (37.3) | 1.000 (25.4)    |
| 09       | 1.593 (40.5) | 1.125 (28.6)    |
| 10       | 1.718 (43.6) | 1.250 (31.8)    |

1. When maximum cable entry (page 21) is exceeded, Style 2 will be supplied. Dimensions E, F, G and H will not apply. Please consult factory.
2. Metric dimensions (mm) are indicated in parentheses.
3. Cable range is defined as the accommodations range for the wire bundle or cable. Dimensions shown are not intended for inspection criteria.
4. Consult factory for shorter lengths on straight backshells.