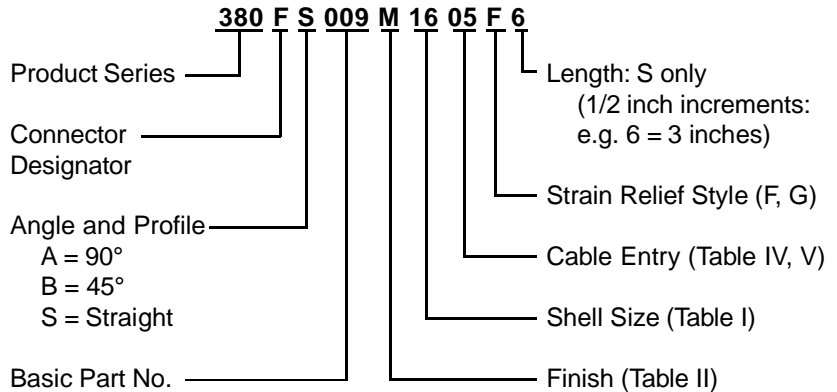
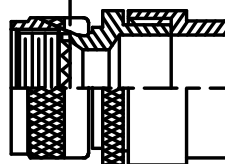


**CONNECTOR  
DESIGNATORS  
A-F-H-L-S  
ROTATABLE  
COUPLING**

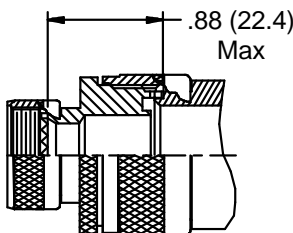
**TYPE D INDIVIDUAL  
OR OVERALL  
SHIELD TERMINATION**



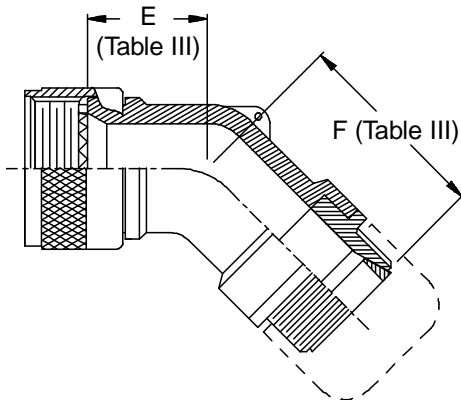
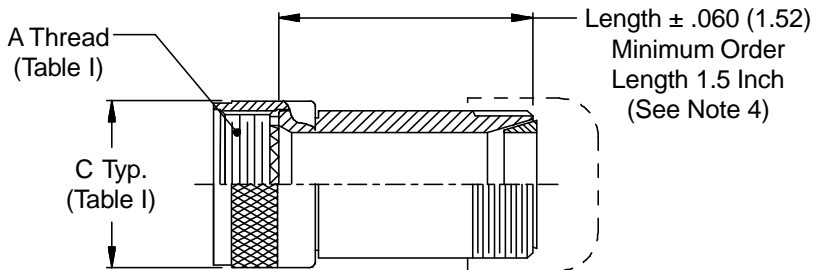
Length  $\pm .060$  (1.52)  
Minimum Order Length 2.0 Inch  
(See Note 4)



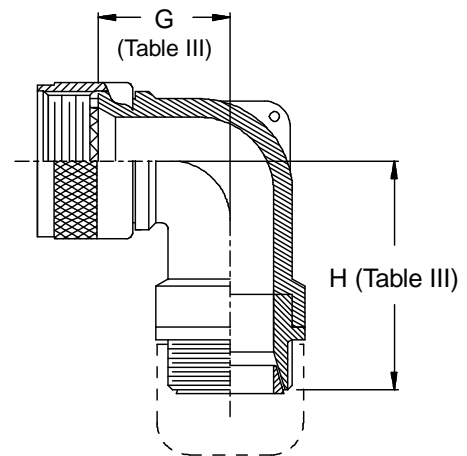
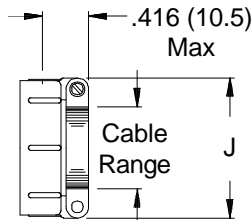
**STYLE 2  
(STRAIGHT  
See Note 1)**



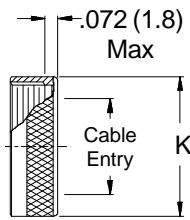
**STYLE 2  
(45° & 90°  
See Note 1)**



**STYLE F  
Light Duty  
(Table IV)**



**STYLE G  
Light Duty  
(Table V)**



**-445** Now Available with the "NESTOR"

**Glenair's Non-Detent,  
Spring-Loaded, Self-  
Locking Coupling.  
Add "-445" to Specify  
This AS85049 Style "N"  
Coupling Interface.**

**380-009**  
**EMI/RFI Non-Environmental Backshell**  
 with Strain Relief  
 Type D - Rotatable Coupling - Low Profile



See inside back cover fold-out or pages 13 and 14 for unabridged Tables I and II.

| TABLE III: ELBOW DIMENSIONS |    |              |              |              |              |              |  |
|-----------------------------|----|--------------|--------------|--------------|--------------|--------------|--|
| Shell Size                  |    | E<br>Max     | F<br>Max     | G<br>Max     | H<br>Max     | Conn. Desig. |  |
| A-F-L-S                     | H  |              |              |              |              |              |  |
| 08                          | 09 | .457 (11.6)  | 1.500 (38.1) | .500 (12.7)  | 1.445 (36.7) |              |  |
| 10                          | 11 | .520 (13.2)  | 1.510 (38.4) | .595 (15.1)  | 1.565 (39.8) |              |  |
| 12                          | 13 | .582 (14.8)  | 1.580 (40.1) | .610 (15.5)  | 1.585 (40.3) |              |  |
| 14                          | 15 | .645 (16.4)  | 1.660 (42.2) | .700 (17.8)  | 1.655 (42.0) |              |  |
| 16                          | 17 | .738 (18.7)  | 1.770 (45.0) | .885 (22.5)  | 1.725 (43.8) |              |  |
| 18                          | 19 | .926 (23.5)  | 1.960 (49.8) | .975 (24.8)  | 1.915 (48.6) |              |  |
| 20                          | 21 | .926 (23.5)  | 1.960 (49.8) | .975 (24.8)  | 1.915 (48.6) |              |  |
| 22                          | 23 | 1.020 (25.9) | 2.110 (53.6) | 1.125 (28.6) | 2.025 (51.4) |              |  |
| 24                          | 25 | 1.020 (25.9) | 2.110 (53.6) | 1.125 (28.6) | 2.025 (51.4) |              |  |
| 28                          |    | 1.145 (29.1) | 2.160 (54.9) | 1.225 (31.1) | 2.195 (55.8) |              |  |
| 32                          |    | 1.207 (30.7) | 2.260 (57.4) | 1.575 (40.0) | 2.445 (62.1) |              |  |
| 36                          |    | 1.238 (31.4) | 2.360 (59.9) | 1.775 (45.1) | 2.445 (62.1) |              |  |

| TABLE II: STANDARD FINISHES                            |  |
|--|--|
| GLENAIR  |  |
| SYMBOL   | FINISH   |
| B  | Cadmium Plate, Olive Drab                            |
| M  | Electroless Nickel                                   |
| NF   | Cadmium Plate, Olive Drab<br>Over Electroless Nickel |
| See Inside Back Cover<br>for Additional Finish Options |  |

| TABLE IV: CABLE ENTRY |              |              |              |  |
|-----------------------|--------------|--------------|--------------|--|
| Dash No.              | J Max        | Cable Range  |              |  |
|                       |              | Min          | Max          |  |
| 02                    | .968 (24.6)  | .125 (3.2)   | .250 (6.4)   |  |
| 03                    | 1.046 (26.6) | .250 (6.4)   | .375 (9.5)   |  |
| 04                    | 1.156 (29.4) | .312 (7.9)   | .500 (12.7)  |  |
| 05                    | 1.218 (30.9) | .437 (11.1)  | .625 (15.9)  |  |
| 06                    | 1.343 (34.1) | .562 (14.3)  | .750 (19.1)  |  |
| 07                    | 1.468 (37.3) | .687 (17.4)  | .875 (22.2)  |  |
| 08                    | 1.593 (40.5) | .812 (20.6)  | 1.000 (25.4) |  |
| 10                    | 1.843 (46.8) | 1.062 (27.0) | 1.250 (31.8) |  |

| TABLE V: CABLE ENTRY |              |              |  |
|----------------------|--------------|--------------|--|
| Dash No.             | K Max        | Cable Entry  |  |
|                      |              | Max          |  |
| 01                   | .656 (16.7)  | .125 (3.2)   |  |
| 02                   | .781 (19.8)  | .250 (6.4)   |  |
| 03                   | .906 (23.0)  | .375 (9.5)   |  |
| 04                   | 1.031 (26.2) | .500 (12.7)  |  |
| 05                   | 1.156 (29.4) | .625 (15.9)  |  |
| 06                   | 1.281 (32.5) | .750 (19.1)  |  |
| 07                   | 1.406 (35.7) | .875 (22.2)  |  |
| 08                   | 1.531 (38.9) | 1.000 (25.4) |  |
| 09                   | 1.656 (42.1) | 1.125 (28.6) |  |
| 10                   | 1.781 (45.2) | 1.250 (31.8) |  |

1. When maximum cable entry (page 21) is exceeded, Style 2 will be supplied. Dimensions E, F, G and H will not apply. Please consult factory.
2. Metric dimensions (mm) are indicated in parentheses.
3. Cable range is defined as the accommodations range for the wire bundle or cable. Dimensions shown are not intended for inspection criteria.
4. Consult factory for shorter lengths on straight backshells.