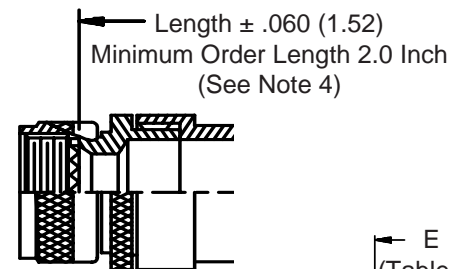
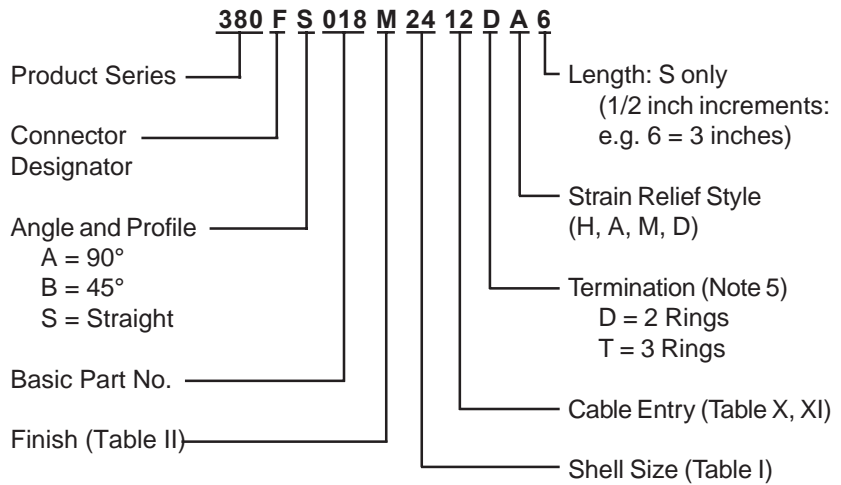


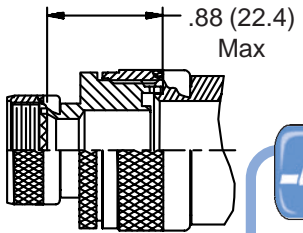
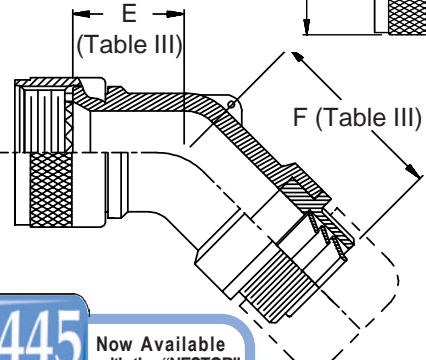
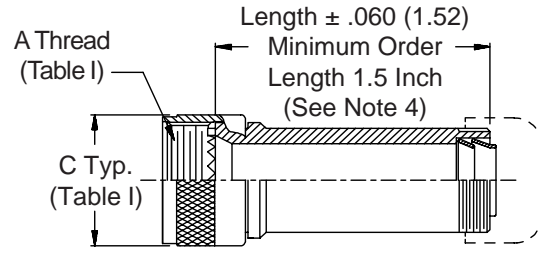
**CONNECTOR  
 DESIGNATORS  
 A-F-H-L-S**

**ROTATABLE  
 COUPLING**

**TYPE E INDIVIDUAL  
 AND/OR OVERALL  
 SHIELD TERMINATION**

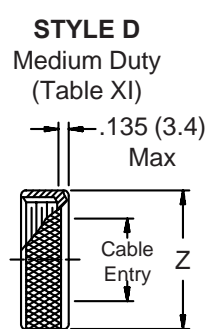
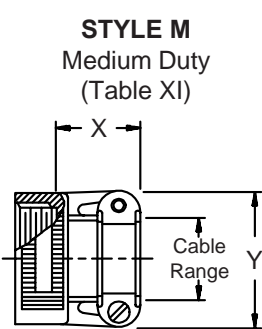
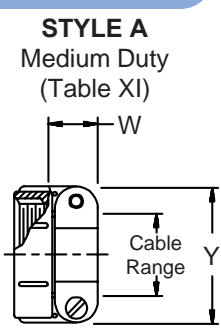
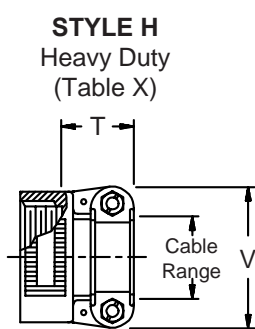
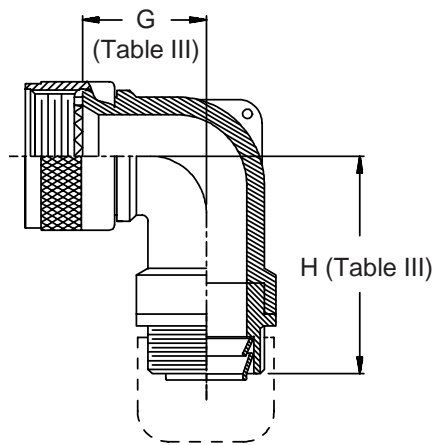


**STYLE 2  
 (STRAIGHT  
 See Note 1)**



**STYLE 2  
 (45° & 90°  
 See Note 1)**

**-445** Now Available with the "NESTOR"  
 Glenair's Non-Detent, Spring-Loaded, Self-Locking Coupling. Add "-445" to Specify This AS85049 Style "N" Coupling Interface.



# 380-018 EMI/RFI Non-Environmental Backshell with Strain Relief Type E - Rotatable Coupling - Low Profile



See inside back cover fold-out or pages 13 and 14 for unabridged Tables I and II.

TABLE III: ELBOW DIMENSIONS

| Shell Size              |    |              |              |              |              |  |
|-------------------------|----|--------------|--------------|--------------|--------------|--|
| Conn. Desig.<br>A-F-L-S | H  | E<br>Max     | F<br>Max     | G<br>Max     | H<br>Max     |  |
| 08                      | 09 | .520 (13.2)  | 1.680 (47.2) | .477 (12.7)  | 1.730 (43.9) |  |
| 10                      | 11 | .615 (15.6)  | 1.800 (45.7) | .540 (13.7)  | 1.730 (43.9) |  |
| 12                      | 13 | .630 (16.0)  | 1.820 (46.2) | .602 (15.3)  | 1.790 (45.5) |  |
| 14                      | 15 | .720 (18.3)  | 1.890 (48.0) | .665 (19.6)  | 1.880 (47.8) |  |
| 16                      | 17 | .905 (23.0)  | 1.980 (50.3) | .758 (19.2)  | 1.990 (50.5) |  |
| 18                      | 19 | .995 (25.3)  | 2.150 (54.6) | .946 (24.0)  | 2.180 (55.4) |  |
| 20                      | 21 | .995 (25.3)  | 2.150 (54.6) | .946 (24.0)  | 2.180 (55.4) |  |
| 22                      | 23 | 1.145 (29.1) | 2.260 (57.4) | 1.040 (26.4) | 2.330 (59.2) |  |
| 24                      | 25 | 1.145 (29.1) | 2.260 (57.4) | 1.040 (26.4) | 2.330 (59.2) |  |

TABLE II: STANDARD FINISHES

| GLENAIR SYMBOL | FINISH  |
|----------------|---|
| B              | Cadmium Plate, Olive Drab                         |
| M              | Electroless Nickel                                |
| NF             | Cadmium Plate, Olive Drab Over Electroless Nickel |

See Inside Back Cover for Additional Finish Options

TABLE X: CABLE ENTRY

| Dash No. | T<br>Max     | V<br>Max     | Cable Range  |              |
|----------|--------------|--------------|--------------|--------------|
|          |              |              | Min          | Max          |
| 04       | .780 (19.8)  | .957 (24.3)  | .125 (3.2)   | .312 (7.9)   |
| 06       | .780 (19.8)  | 1.145 (29.1) | .250 (6.4)   | .437 (11.1)  |
| 08       | .780 (19.8)  | 1.332 (33.8) | .312 (7.9)   | .562 (14.3)  |
| 10       | .780 (19.8)  | 1.332 (33.8) | .350 (8.9)   | .625 (15.9)  |
| 12       | .811 (20.6)  | 1.551 (39.4) | .500 (12.7)  | .750 (19.1)  |
| 16       | .905 (23.0)  | 1.770 (45.0) | .625 (15.9)  | .937 (23.8)  |
| 20       | 1.092 (27.7) | 2.113 (53.7) | .875 (22.2)  | 1.250 (31.8) |
| 24       | 1.124 (28.5) | 2.363 (60.0) | 1.000 (25.4) | 1.375 (34.9) |
| 28       | 1.399 (35.5) | 2.770 (70.4) | 1.250 (31.8) | 1.625 (41.3) |
| 32       | 1.399 (35.5) | 3.020 (76.7) | 1.437 (36.5) | 1.875 (47.6) |

- When maximum cable entry (page 21) is exceeded, Style 2 will be supplied. Dimensions E, F, G and H will not apply. Please consult factory.
- Metric dimensions (mm) are indicated in parentheses.
- Cable range is defined as the accommodations range for the wire bundle or cable. Dimensions shown are not intended for inspection criteria.
- Consult factory for shorter lengths on straight backshells.
- Designate Symbol T for 3 ring termination of individual and overall braid. Designate D for standard 2 ring termination of individual or overall braid.

TABLE XI: CABLE ENTRY

| Dash No. | W<br>Max     | X<br>Max     | Y<br>Max     | Z<br>Max     | Cable Range  |              |
|----------|--------------|--------------|--------------|--------------|--------------|--------------|
|          |              |              |              |              | Min **       | Max          |
| 03*      | .437 (11.1)  | .760 (19.3)  | .843 (21.4)  | .630 (16.0)  | .156 (4.0)   | .250 (6.4)   |
| 04*      | .437 (11.1)  | .760 (19.3)  | .906 (23.0)  | .755 (19.2)  | .188 (4.8)   | .312 (7.9)   |
| 06*      | .500 (12.7)  | .760 (19.3)  | 1.093 (27.8) | .942 (23.9)  | .281 (7.1)   | .438 (11.1)  |
| 08       | .563 (14.3)  | .760 (19.3)  | 1.187 (30.1) | 1.067 (27.1) | .344 (8.7)   | .562 (14.3)  |
| 10       | .563 (14.3)  | .760 (19.3)  | 1.281 (32.5) | 1.192 (30.3) | .375 (9.5)   | .625 (15.9)  |
| 12       | .563 (14.3)  | .760 (19.3)  | 1.500 (38.1) | 1.380 (35.1) | .438 (11.1)  | .750 (19.1)  |
| 16       | .656 (16.7)  | 1.073 (27.3) | 1.719 (43.7) | 1.535 (39.0) | .562 (14.3)  | .938 (23.8)  |
| 20       | .656 (16.7)  | 1.323 (33.6) | 2.062 (52.4) | 1.848 (46.9) | .750 (19.1)  | 1.250 (31.8) |
| 24       | .656 (16.7)  | 1.323 (33.6) | 2.312 (58.7) | 2.255 (57.3) | .781 (19.8)  | 1.375 (34.9) |
| 28       | 1.188 (30.2) | 1.572 (39.9) | 2.719 (69.1) | 2.505 (63.6) | .969 (24.6)  | 1.625 (41.3) |
| 32*      | 1.187 (30.1) | 1.572 (39.9) | 2.969 (75.4) | 2.755 (70.0) | 1.125 (28.6) | 1.875 (47.6) |
| 40*      | 1.125 (28.6) | 1.572 (39.9) | 3.531 (89.7) | 3.255 (82.7) | 1.469 (37.3) | 2.375 (60.3) |

\* Not available in Style M clamp.      \*\* Not Applicable Style D