



# 380-099 Composite Cone and Ring Style EMI/RFI Shield Termination Backshell with Self-Locking Coupling Nut and Strain Relief

A

| CONNECTOR DESIGNATOR:     |   |
|---------------------------|---|
| <b>A</b>                  | MIL-DTL-5015, -26482 Series II, and -83723 Series I and III |
| <b>F</b>                  | MIL-DTL-38999 Series I, II                                  |
| <b>L</b>                  | MIL-DTL-38999 Series 1.5 (JN1003)                           |
| <b>H</b>                  | MIL-DTL-38999 Series III and IV                             |
| <b>G</b>                  | MIL-DTL-28840   |
| <b>U</b>                  | DG123 and DG123A  |
| <b>SELF-LOCKING</b>       |   |
| <b>ROTATABLE COUPLING</b> |   |
| <b>STANDARD PROFILE</b>   |   |

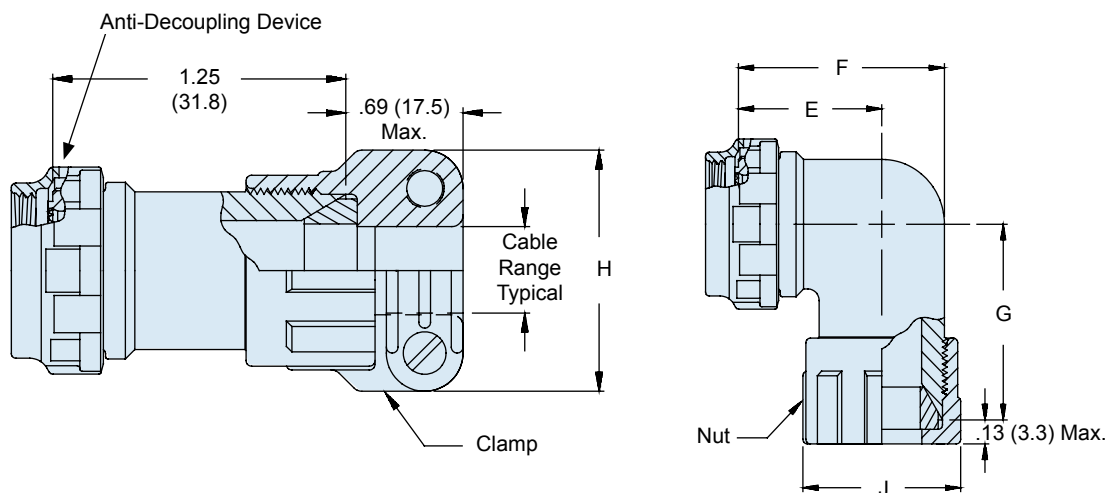
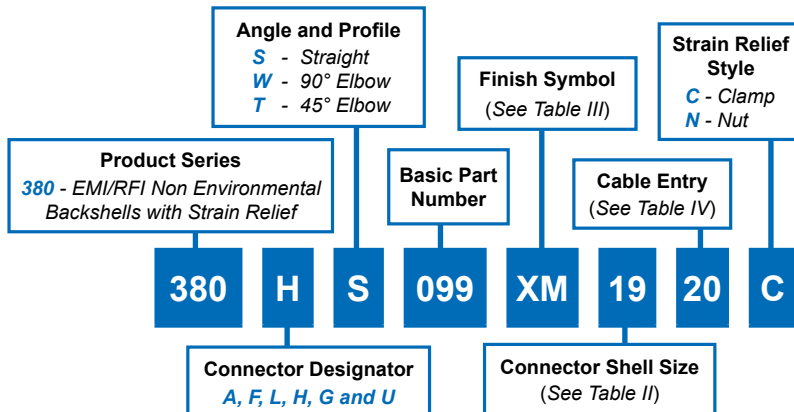


TABLE II: CONNECTOR SHELL SIZE

| Shell Size For Connector Designator |             | E           | F           | G           | Max Entry  |
|-------------------------------------|-------------|-------------|-------------|-------------|------------|
| A                                   | F/L H G U   | ±.06 (1.5)  | ±.09 (2.3)  | ±.09 (2.3)  | Dash No.** |
| 08                                  | 08 09 - -   | .69 (17.5)  | .88 (22.4)  | 1.19 (30.2) | 10         |
| 10                                  | 10 11 - 08  | .75 (19.1)  | 1.00 (25.4) | 1.25 (31.8) | 12         |
| 12                                  | 12 13 11 10 | .81 (20.6)  | 1.13 (28.7) | 1.31 (33.3) | 14         |
| 14                                  | 14 15 13 12 | .88 (22.4)  | 1.31 (33.3) | 1.38 (35.1) | 16         |
| 16                                  | 16 17 15 14 | .94 (23.9)  | 1.38 (35.1) | 1.44 (36.6) | 20         |
| 18                                  | 18 19 17 16 | .97 (24.6)  | 1.44 (36.6) | 1.47 (37.3) | 20         |
| 20                                  | 20 21 19 18 | 1.06 (26.9) | 1.63 (41.4) | 1.56 (39.6) | 22         |
| 22                                  | 22 23 - 20  | 1.13 (28.7) | 1.75 (44.5) | 1.63 (41.4) | 24         |
| 24                                  | 24 25 23 22 | 1.19 (30.2) | 1.88 (47.8) | 1.69 (42.9) | 28         |
| 28                                  | - - 25 24   | 1.34 (34.0) | 2.13 (54.1) | 1.78 (45.2) | 32         |

\*\*Consult factory for additional entry sizes available.  
See Introduction for additional connector front-end details.

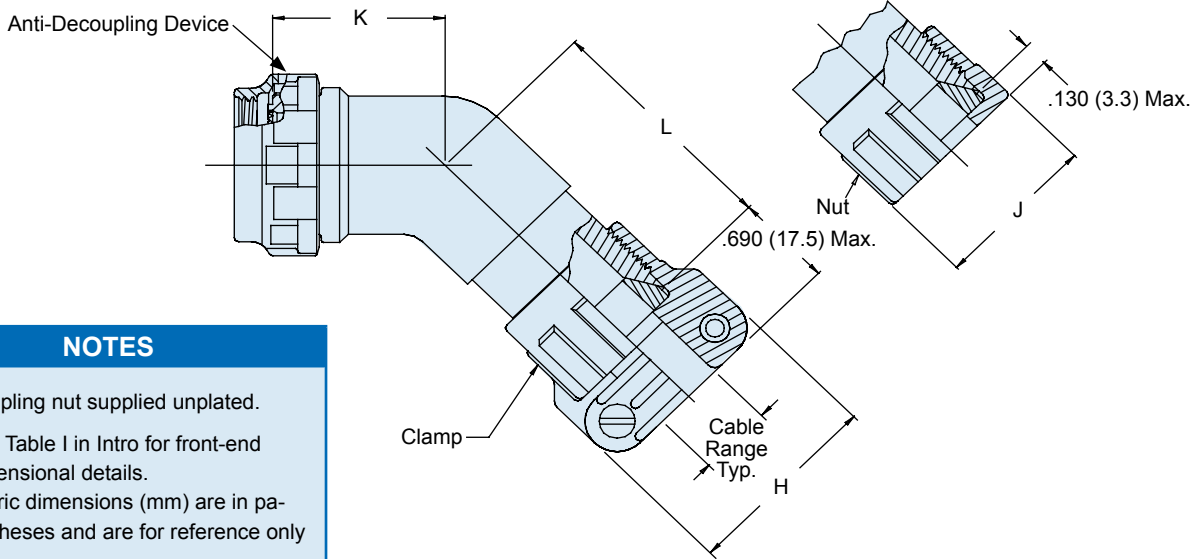
TABLE III: FINISH

| Symbol | Finish Description  |
|--------|---|
| XM     | 2000 Hour Corrosion Resistant Electroless Nickel                                    |
| XMT    | 2000 Hour Corrosion Resistant Ni-PTFE, Nickel-Fluorocarbon Polymer. 1000 Hour Grey™ |
| XW     | 2000 Hour Corrosion Resistant Cadmium/Olive Drab over Electroless Nickel            |

**380-099**  
**Composite Cone and Ring Style**  
**EMI/RFI Shield Termination Backshell**  
**with Self-Locking Coupling Nut and Strain Relief Clamp**



Composite Backshells



**A**

- NOTES**
1. Coupling nut supplied unplated.
  2. See Table I in Intro for front-end dimensional details.
  3. Metric dimensions (mm) are in parentheses and are for reference only

**TABLE II: CONNECTOR SHELL SIZE (CONT.)**

| Shell Size For Connector Designator |    | K          |             | L           |             | Max Entry Dash No. * |
|-------------------------------------|----|------------|-------------|-------------|-------------|----------------------|
| A & F/L                             | H  | ±.06 (1.5) | ±.06 (1.5)  | ±.06 (1.5)  | ±.06 (1.5)  |                      |
| 08                                  | 09 | .72 (18.3) | .88 (22.4)  | .88 (22.4)  | .88 (22.4)  | 10                   |
| 10                                  | 11 | .75 (19.1) | .94 (23.9)  | .94 (23.9)  | .94 (23.9)  | 12                   |
| 12                                  | 13 | .75 (19.1) | 1.00 (25.4) | 1.00 (25.4) | 1.00 (25.4) | 14                   |
| 14                                  | 15 | .76 (19.3) | 1.03 (26.2) | 1.03 (26.2) | 1.03 (26.2) | 16                   |
| 16                                  | 17 | .78 (19.8) | 1.06 (26.9) | 1.06 (26.9) | 1.06 (26.9) | 20                   |
| 18                                  | 19 | .79 (20.1) | 1.07 (27.2) | 1.07 (27.2) | 1.07 (27.2) | 20                   |
| 20                                  | 21 | .82 (20.8) | 1.09 (27.7) | 1.09 (27.7) | 1.09 (27.7) | 22                   |
| 22                                  | 23 | .86 (21.8) | 1.14 (29.0) | 1.14 (29.0) | 1.14 (29.0) | 24                   |
| 24                                  | 25 | .92 (23.4) | 1.17 (29.7) | 1.17 (29.7) | 1.17 (29.7) | 28                   |

\* Consult factory for additional entry sizes available.

**TABLE IV: CABLE ENTRY**

| Dash No. | H           |             | J          |             | Cable Range * |             |             |             |
|----------|-------------|-------------|------------|-------------|---------------|-------------|-------------|-------------|
|          | ±.06 (1.5)  | ±.06 (1.5)  | ±.06 (1.5) | ±.06 (1.5)  | Minimum       |             | Maximum     |             |
| 10       | .94 (23.9)  | .80 (20.3)  | .20 (5.1)  | .25 (6.4)   | .20 (5.1)     | .25 (6.4)   | .25 (6.4)   | .25 (6.4)   |
| 12       | 1.17 (29.7) | .93 (23.6)  | .29 (5.1)  | .38 (9.7)   | .29 (5.1)     | .38 (9.7)   | .38 (9.7)   | .38 (9.7)   |
| 14       | 1.28 (32.5) | 1.06 (26.9) | .40 (10.1) | .44 (11.2)  | .40 (10.1)    | .44 (11.2)  | .44 (11.2)  | .44 (11.2)  |
| 16       | 1.41 (35.8) | 1.22 (31.0) | .48 (12.2) | .63 (15.9)  | .48 (12.2)    | .63 (15.9)  | .63 (15.9)  | .63 (15.9)  |
| 18       | 1.50 (38.1) | 1.24 (31.5) | .55 (14.0) | .69 (17.5)  | .55 (14.0)    | .69 (17.5)  | .69 (17.5)  | .69 (17.5)  |
| 20       | 1.56 (39.6) | 1.37 (34.8) | .64 (16.3) | .75 (19.1)  | .64 (16.3)    | .75 (19.1)  | .75 (19.1)  | .75 (19.1)  |
| 22       | 1.69 (42.9) | 1.49 (37.8) | .72 (18.3) | .88 (22.2)  | .72 (18.3)    | .88 (22.2)  | .88 (22.2)  | .88 (22.2)  |
| 24       | 1.81 (46.0) | 1.62 (41.1) | .79 (20.0) | 1.00 (25.4) | .79 (20.0)    | 1.00 (25.4) | 1.00 (25.4) | 1.00 (25.4) |
| 28       | 1.91 (48.5) | 1.68 (42.7) | .89 (20.3) | 1.13 (28.6) | .89 (20.3)    | 1.13 (28.6) | 1.13 (28.6) | 1.13 (28.6) |
| 32       | 2.02 (51.3) | 1.82 (46.2) | .96 (24.4) | 1.25 (31.8) | .96 (24.4)    | 1.25 (31.8) | 1.25 (31.8) | 1.25 (31.8) |

\* Cable range equals diameter of cable outer jacket.