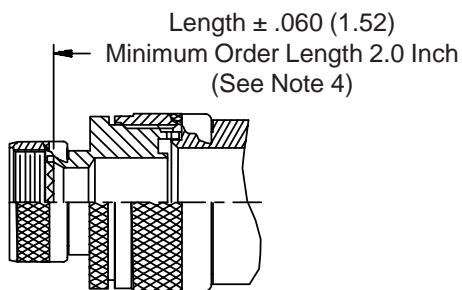
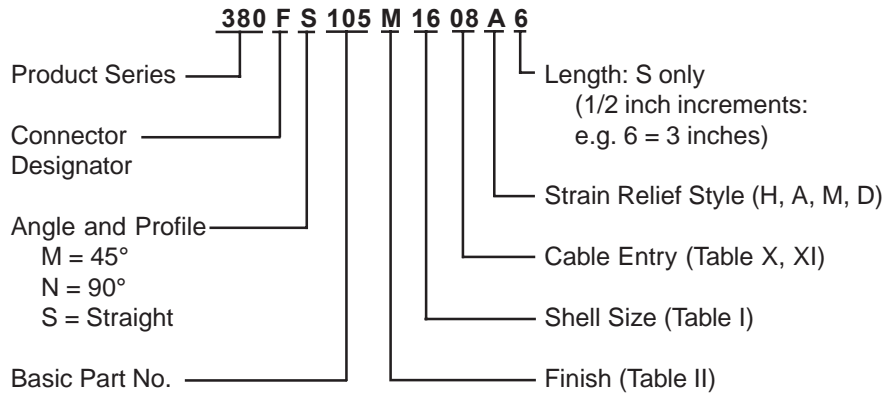
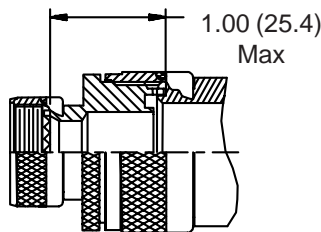


**CONNECTOR
 DESIGNATORS
 A-F-H-L-S
 SELF-LOCKING
 ROTATABLE
 COUPLING**

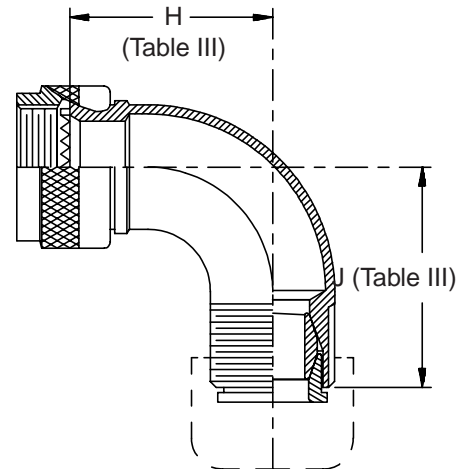
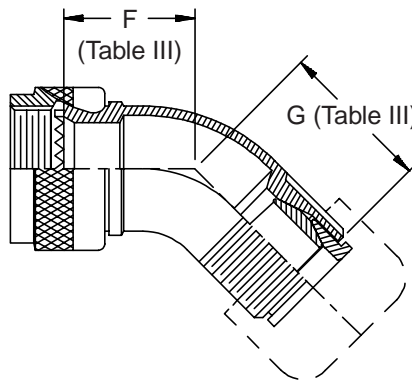
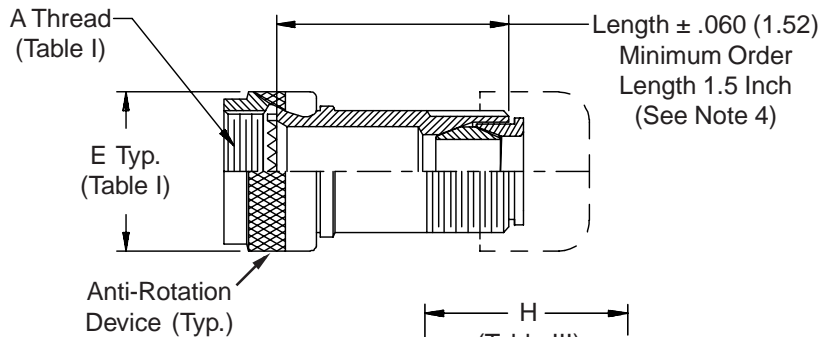
**TYPE F INDIVIDUAL
 AND/OR OVERALL
 SHIELD TERMINATION**



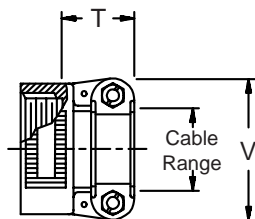
**STYLE 2
 (STRAIGHT
 See Note 1)**



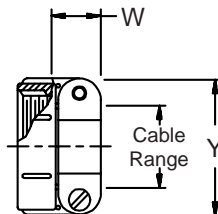
**STYLE 2
 (45° & 90°
 See Note 1)**



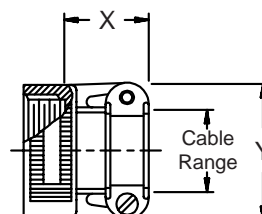
**STYLE H
 Heavy Duty
 (Table X)**



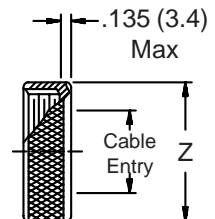
**STYLE A
 Medium Duty
 (Table XI)**



**STYLE M
 Medium Duty
 (Table XI)**



**STYLE D
 Medium Duty
 (Table XI)**



380-105
EMI/RFI Non-Environmental Backshell
with Strain Relief
Type F - Self-Locking - Rotatable Coupling - Full Radius Profile



TABLE III: ELBOW DIMENSIONS

| Shell Size | | F | | G | | H | | J | |
|--------------|----|-------|--------|-------|--------|-------|--------|-------|--------|
| Conn. Desig. | | Max | | Max | | Max | | Max | |
| A-F-L-S | H | | | | | | | | |
| 08 | 09 | .968 | (24.6) | .875 | (22.2) | 1.281 | (32.5) | 1.188 | (30.2) |
| 10 | 11 | 1.031 | (26.2) | .938 | (23.8) | 1.406 | (35.7) | 1.312 | (33.3) |
| 12 | 13 | 1.094 | (27.8) | 1.000 | (25.4) | 1.531 | (38.9) | 1.438 | (36.5) |
| 14 | 15 | 1.156 | (29.4) | 1.062 | (27.0) | 1.656 | (42.1) | 1.562 | (39.7) |
| 16 | 17 | 1.219 | (31.0) | 1.125 | (28.6) | 1.781 | (45.2) | 1.688 | (42.9) |
| 18 | 19 | 1.250 | (31.8) | 1.156 | (29.4) | 1.906 | (48.4) | 1.812 | (46.0) |
| 20 | 21 | 1.312 | (33.3) | 1.219 | (31.0) | 2.031 | (51.6) | 1.938 | (49.2) |
| 22 | 23 | 1.344 | (34.1) | 1.250 | (31.8) | 2.156 | (54.8) | 2.062 | (52.4) |
| 24 | 25 | 1.406 | (35.7) | 1.312 | (33.3) | 2.281 | (57.9) | 2.188 | (55.6) |
| 28 | | 1.500 | (38.1) | 1.625 | (41.3) | 2.531 | (64.3) | 2.625 | (66.7) |

TABLE II: STANDARD FINISHES

| GLENAIR SYMBOL | FINISH |
|----------------|---|
| B | Cadmium Plate, Olive Drab |
| M | Electroless Nickel |
| NF | Cadmium Plate, Olive Drab Over Electroless Nickel |

See Inside Back Cover for Additional Finish Options

See inside back cover fold-out or pages 13 and 14 for unabridged Tables I and II.

TABLE X: CABLE ENTRY

| Dash No. | T Max | V Max | Cable Range | | | |
|----------|--------------|--------------|--------------|--------------|-----|-----|
| | | | Min | Max | Min | Max |
| 04 | .780 (19.8) | .957 (24.3) | .125 (3.2) | .312 (7.9) | | |
| 06 | .780 (19.8) | 1.145 (29.1) | .250 (6.4) | .437 (11.1) | | |
| 08 | .780 (19.8) | 1.332 (33.8) | .312 (7.9) | .562 (14.3) | | |
| 10 | .780 (19.8) | 1.332 (33.8) | .350 (8.9) | .625 (15.9) | | |
| 12 | .811 (20.6) | 1.551 (39.4) | .500 (12.7) | .750 (19.1) | | |
| 16 | .905 (23.0) | 1.770 (45.0) | .625 (15.9) | .937 (23.8) | | |
| 20 | 1.092 (27.7) | 2.113 (53.7) | .875 (22.2) | 1.250 (31.8) | | |
| 24 | 1.124 (28.5) | 2.363 (60.0) | 1.000 (25.4) | 1.375 (34.9) | | |
| 28 | 1.399 (35.5) | 2.770 (70.4) | 1.250 (31.8) | 1.625 (41.3) | | |
| 32 | 1.399 (35.5) | 3.020 (76.7) | 1.437 (36.5) | 1.875 (47.6) | | |

1. When maximum cable entry (page 21) is exceeded, Style 2 will be supplied. Dimensions F, G, H and J will not apply. Please consult factory.
2. Metric dimensions (mm) are indicated in parentheses.
3. Cable range is defined as the accommodations range for the wire bundle or cable. Dimensions shown are not intended for inspection criteria.
4. Consult factory for shorter lengths on straight backshells.

TABLE XI: CABLE ENTRY

| Dash No. | W Max | X Max | Y Max | Z Max | Cable Range | |
|----------|--------------|--------------|--------------|--------------|--------------|--------------|
| | | | | | Min ** | Max |
| 03* | .437 (11.1) | .760 (19.3) | .843 (21.4) | .630 (16.0) | .156 (4.0) | .250 (6.4) |
| 04* | .437 (11.1) | .760 (19.3) | .906 (23.0) | .755 (19.2) | .188 (4.8) | .312 (7.9) |
| 06* | .500 (12.7) | .760 (19.3) | 1.093 (27.8) | .942 (23.9) | .281 (7.1) | .438 (11.1) |
| 08 | .563 (14.3) | .760 (19.3) | 1.187 (30.1) | 1.067 (27.1) | .344 (8.7) | .562 (14.3) |
| 10 | .563 (14.3) | .760 (19.3) | 1.281 (32.5) | 1.192 (30.3) | .375 (9.5) | .625 (15.9) |
| 12 | .563 (14.3) | .760 (19.3) | 1.500 (38.1) | 1.380 (35.1) | .438 (11.1) | .750 (19.1) |
| 16 | .656 (16.7) | 1.073 (27.3) | 1.719 (43.7) | 1.535 (39.0) | .562 (14.3) | .938 (23.8) |
| 20 | .656 (16.7) | 1.323 (33.6) | 2.062 (52.4) | 1.848 (46.9) | .750 (19.1) | 1.250 (31.8) |
| 24 | .656 (16.7) | 1.323 (33.6) | 2.312 (58.7) | 2.255 (57.3) | .781 (19.8) | 1.375 (34.9) |
| 28 | 1.188 (30.2) | 1.572 (39.9) | 2.719 (69.1) | 2.505 (63.6) | .969 (24.6) | 1.625 (41.3) |
| 32* | 1.187 (30.1) | 1.572 (39.9) | 2.969 (75.4) | 2.755 (70.0) | 1.125 (28.6) | 1.875 (47.6) |
| 40* | 1.125 (28.6) | 1.572 (39.9) | 3.531 (89.7) | 3.255 (82.7) | 1.469 (37.3) | 2.375 (60.3) |

* Not available in Style M clamp. ** Not Applicable Style D