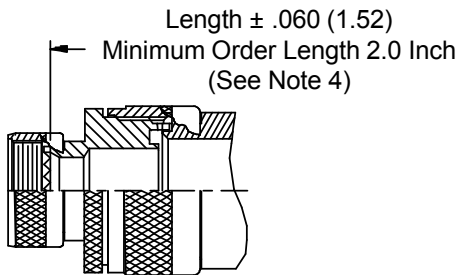
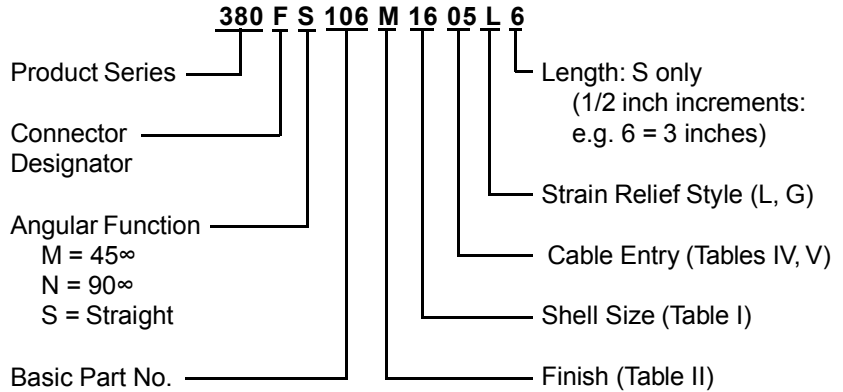
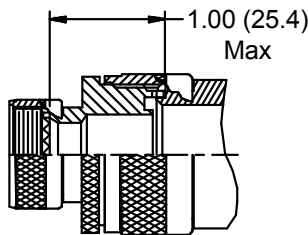
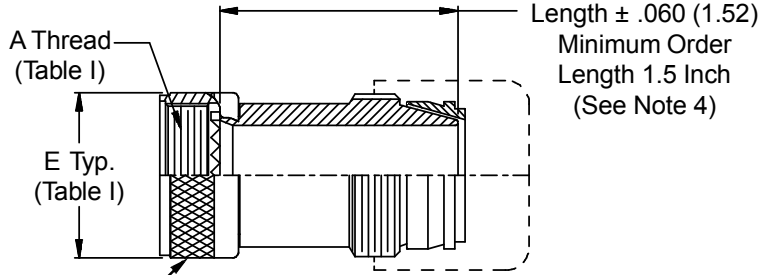


**CONNECTOR  
 DESIGNATORS  
 A-F-H-L-S  
 SELF-LOCKING  
 ROTATABLE  
 COUPLING**

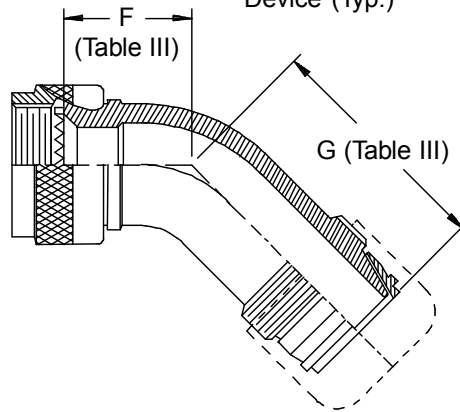
**TYPE C OVERALL  
 SHIELD TERMINATION**



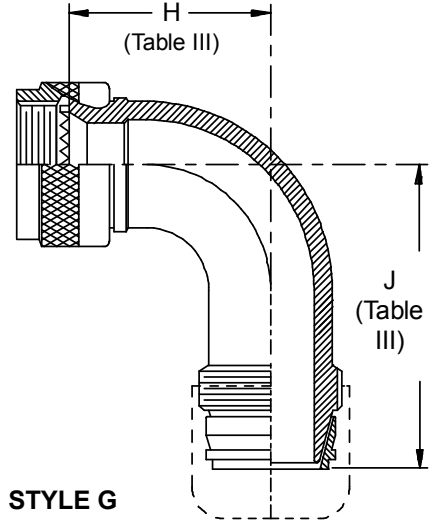
**STYLE 2  
 (STRAIGHT  
 See Note 1)**



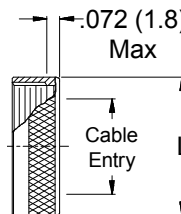
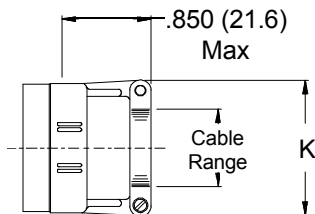
**STYLE 2  
 (45° & 90°  
 See Note 1)**



**STYLE L  
 Light Duty  
 (Table IV)**



**STYLE G  
 Light Duty  
 (Table V)**



**380-106**  
**EMI/RFI Non-Environmental Backshell**  
**Light-Duty with Strain Relief**  
**Type C - Self-Locking - Rotatable Coupling - Full Radius**



See inside back cover fold-out or pages 13 and 14 for unabridged Tables I and II.

**TABLE III: ELBOW DIMENSIONS**

Shell Size		F Max	G Max	H Max	J Max
Conn. Desig.	A-F-L-S				
08	09	.963 (24.5)	1.177 (29.9)	1.281 (32.5)	1.495 (38.0)
10	11	1.017 (25.8)	1.231 (31.3)	1.406 (35.7)	1.620 (41.1)
12	13	1.067 (27.1)	1.281 (32.5)	1.531 (38.9)	1.745 (44.3)
14	15	1.121 (28.5)	1.335 (33.9)	1.656 (42.1)	1.870 (47.5)
16	17	1.170 (29.7)	1.384 (35.2)	1.781 (45.2)	1.995 (50.7)
18	19	1.220 (31.0)	1.434 (36.4)	1.906 (48.4)	2.120 (53.8)
20	21	1.274 (32.4)	1.488 (37.8)	2.031 (51.6)	2.245 (57.0)
22	23	1.328 (33.7)	1.542 (39.2)	2.156 (54.8)	2.370 (60.2)
24	25	1.377 (35.0)	1.591 (40.4)	2.281 (57.9)	2.495 (63.4)
28		1.481 (37.6)	1.695 (43.1)	2.531 (64.3)	2.745 (69.7)
32		1.584 (40.2)	1.798 (45.7)	2.625 (70.6)	2.865 (72.8)

**TABLE II: STANDARD FINISHES**

GLENAIR SYMBOL	FINISH
B	Cadmium Plate, Olive Drab
M	Electroless Nickel
NF	Cadmium Plate, Olive Drab Over Electroless Nickel

See Inside Back Cover for Additional Finish Options

**TABLE IV: CABLE RANGE**

Dash No.	K Max	Cable Range	
		Min	Max
01	.781 (19.8)	.062 (1.6)	.125 (3.2)
02	.968 (24.6)	.125 (3.2)	.250 (6.4)
03	1.046 (26.6)	.250 (6.4)	.375 (9.5)
04	1.156 (29.4)	.250 (6.4)	.500 (12.7)
05	1.218 (30.9)	.375 (9.5)	.625 (15.9)
06	1.343 (34.1)	.500 (12.7)	.750 (19.1)
07	1.468 (37.3)	.625 (15.9)	.875 (22.2)
08	1.593 (40.5)	.625 (15.9)	1.000 (25.4)
09	1.718 (43.6)	.750 (19.1)	1.125 (28.6)
10	1.843 (46.8)	.875 (22.2)	1.250 (31.8)

**TABLE V: CABLE RANGE**

Dash No.	L Max	Cable Entry	
		Min	Max
01	.593 (15.1)	.125 (3.2)	
02	.718 (18.2)	.250 (6.4)	
03	.843 (21.4)	.375 (9.5)	
04	.968 (24.6)	.500 (12.7)	
05	1.109 (28.2)	.625 (15.9)	
06	1.218 (30.9)	.750 (19.1)	
07	1.343 (34.1)	.875 (22.2)	
08	1.468 (37.3)	1.000 (25.4)	
09	1.593 (40.5)	1.125 (28.6)	
10	1.718 (43.6)	1.250 (31.8)	

1. When maximum cable entry (page 21) is exceeded, Style 2 will be supplied. Dimensions F, G, H and J will not apply. Please consult factory.
2. Metric dimensions (mm) are indicated in parentheses.
3. Cable range is defined as the accommodations range for the wire bundle or cable. Dimensions shown are not intended for inspection criteria.
4. Consult factory for shorter lengths on straight backshells.