



380-099 Composite Cone and Ring Style EMI/RFI Shield Termination Backshell with Self-Locking Coupling Nut and Strain Relief

A

| CONNECTOR DESIGNATOR: | |
|---------------------------|---|
| A | MIL-DTL-5015, -26482 Series II, and -83723 Series I and III |
| F | MIL-DTL-38999 Series I, II |
| L | MIL-DTL-38999 Series 1.5 (JN1003) |
| H | MIL-DTL-38999 Series III and IV |
| G | MIL-DTL-28840 |
| U | DG123 and DG123A |
| SELF-LOCKING | |
| ROTATABLE COUPLING | |
| STANDARD PROFILE | |

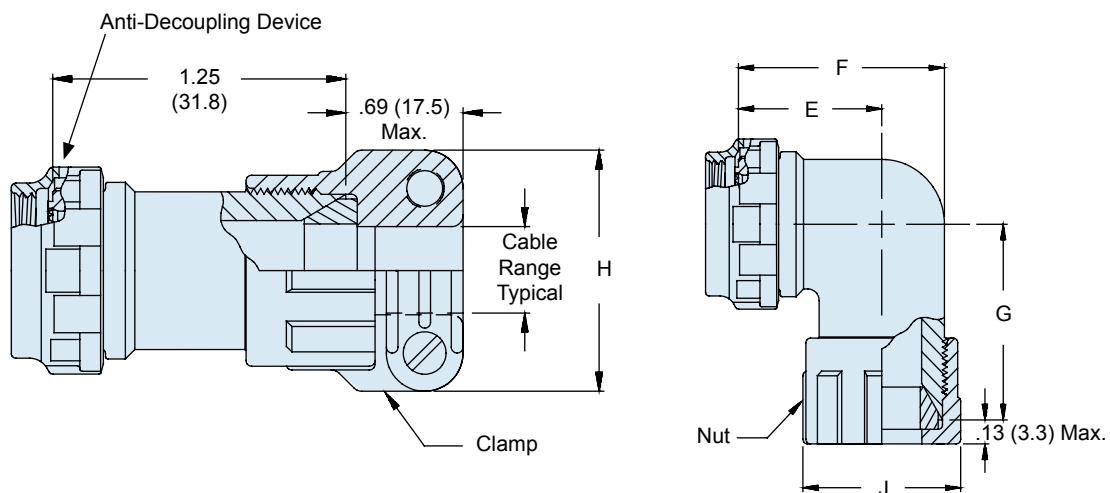
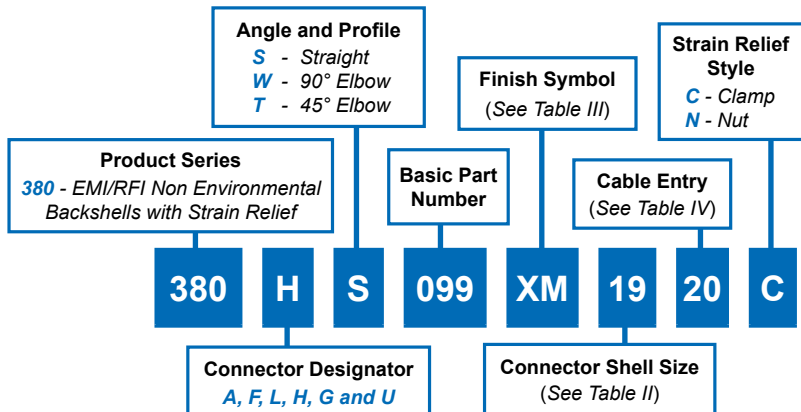


TABLE II: CONNECTOR SHELL SIZE

| Shell Size For Connector Designator | | E | F | G | Max Entry |
|-------------------------------------|-------------|-------------|-------------|-------------|------------|
| A | F/L H G U | ±.06 (1.5) | ±.09 (2.3) | ±.09 (2.3) | Dash No.** |
| 08 | 08 09 - - | .69 (17.5) | .88 (22.4) | 1.19 (30.2) | 10 |
| 10 | 10 11 - 08 | .75 (19.1) | 1.00 (25.4) | 1.25 (31.8) | 12 |
| 12 | 12 13 11 10 | .81 (20.6) | 1.13 (28.7) | 1.31 (33.3) | 14 |
| 14 | 14 15 13 12 | .88 (22.4) | 1.31 (33.3) | 1.38 (35.1) | 16 |
| 16 | 16 17 15 14 | .94 (23.9) | 1.38 (35.1) | 1.44 (36.6) | 20 |
| 18 | 18 19 17 16 | .97 (24.6) | 1.44 (36.6) | 1.47 (37.3) | 20 |
| 20 | 20 21 19 18 | 1.06 (26.9) | 1.63 (41.4) | 1.56 (39.6) | 22 |
| 22 | 22 23 - 20 | 1.13 (28.7) | 1.75 (44.5) | 1.63 (41.4) | 24 |
| 24 | 24 25 23 22 | 1.19 (30.2) | 1.88 (47.8) | 1.69 (42.9) | 28 |
| 28 | - - 25 24 | 1.34 (34.0) | 2.13 (54.1) | 1.78 (45.2) | 32 |

**Consult factory for additional entry sizes available.
See Introduction for additional connector front-end details.

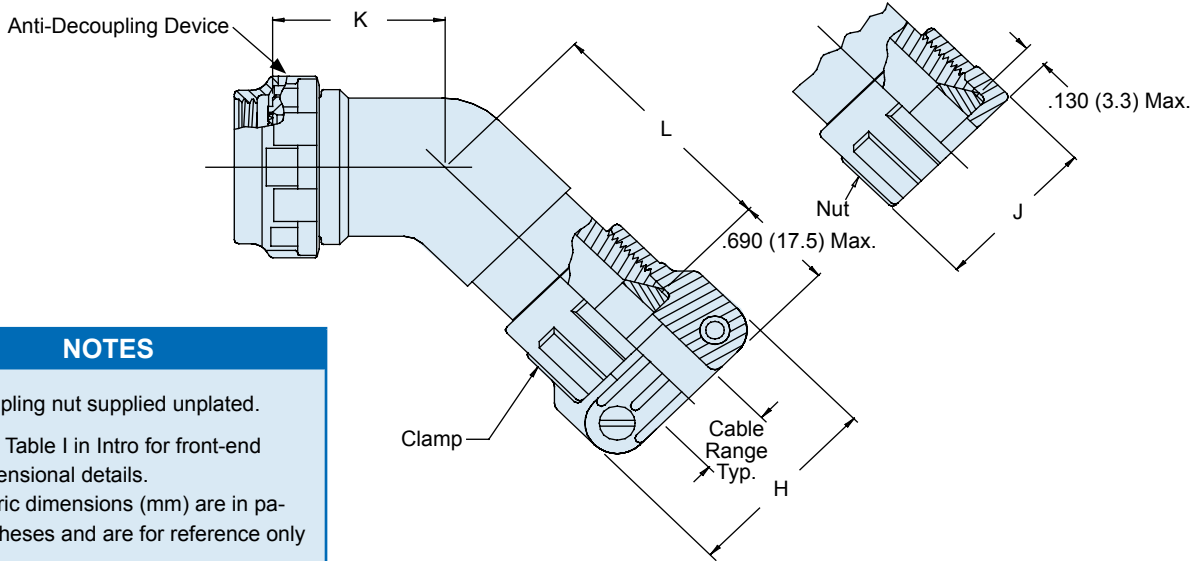
TABLE III: FINISH

| Symbol | Finish Description |
|--------|---|
| XM | 2000 Hour Corrosion Resistant Electroless Nickel |
| XMT | 2000 Hour Corrosion Resistant Ni-PTFE, Nickel-Fluorocarbon Polymer. 1000 Hour Grey™ |
| XW | 2000 Hour Corrosion Resistant Cadmium/ Olive Drab over Electroless Nickel |

380-099
Composite Cone and Ring Style
EMI/RFI Shield Termination Backshell
with Self-Locking Coupling Nut and Strain Relief Clamp



Composite Backshells



A

- NOTES**
1. Coupling nut supplied unplated.
 2. See Table I in Intro for front-end dimensional details.
 3. Metric dimensions (mm) are in parentheses and are for reference only

TABLE II: CONNECTOR SHELL SIZE (CONT.)

| Shell Size For Connector Designator | | K | | L | | Max Entry Dash No. * |
|-------------------------------------|----|------------|-------------|-------------|-------------|----------------------|
| A & F/L | H | ±.06 (1.5) | ±.06 (1.5) | ±.06 (1.5) | ±.06 (1.5) | |
| 08 | 09 | .72 (18.3) | .88 (22.4) | .88 (22.4) | .88 (22.4) | 10 |
| 10 | 11 | .75 (19.1) | .94 (23.9) | .94 (23.9) | .94 (23.9) | 12 |
| 12 | 13 | .75 (19.1) | 1.00 (25.4) | 1.00 (25.4) | 1.00 (25.4) | 14 |
| 14 | 15 | .76 (19.3) | 1.03 (26.2) | 1.03 (26.2) | 1.03 (26.2) | 16 |
| 16 | 17 | .78 (19.8) | 1.06 (26.9) | 1.06 (26.9) | 1.06 (26.9) | 20 |
| 18 | 19 | .79 (20.1) | 1.07 (27.2) | 1.07 (27.2) | 1.07 (27.2) | 20 |
| 20 | 21 | .82 (20.8) | 1.09 (27.7) | 1.09 (27.7) | 1.09 (27.7) | 22 |
| 22 | 23 | .86 (21.8) | 1.14 (29.0) | 1.14 (29.0) | 1.14 (29.0) | 24 |
| 24 | 25 | .92 (23.4) | 1.17 (29.7) | 1.17 (29.7) | 1.17 (29.7) | 28 |

* Consult factory for additional entry sizes available.

TABLE IV: CABLE ENTRY

| Dash No. | H | | J | | Cable Range * | | | |
|----------|-------------|-------------|------------|-------------|---------------|-------------|-------------|-------------|
| | ±.06 (1.5) | ±.06 (1.5) | ±.06 (1.5) | ±.06 (1.5) | Minimum | | Maximum | |
| 10 | .94 (23.9) | .80 (20.3) | .20 (5.1) | .25 (6.4) | .20 (5.1) | .25 (6.4) | .25 (6.4) | .25 (6.4) |
| 12 | 1.17 (29.7) | .93 (23.6) | .29 (5.1) | .38 (9.7) | .29 (5.1) | .38 (9.7) | .38 (9.7) | .38 (9.7) |
| 14 | 1.28 (32.5) | 1.06 (26.9) | .40 (10.1) | .44 (11.2) | .40 (10.1) | .44 (11.2) | .44 (11.2) | .44 (11.2) |
| 16 | 1.41 (35.8) | 1.22 (31.0) | .48 (12.2) | .63 (15.9) | .48 (12.2) | .63 (15.9) | .63 (15.9) | .63 (15.9) |
| 18 | 1.50 (38.1) | 1.24 (31.5) | .55 (14.0) | .69 (17.5) | .55 (14.0) | .69 (17.5) | .69 (17.5) | .69 (17.5) |
| 20 | 1.56 (39.6) | 1.37 (34.8) | .64 (16.3) | .75 (19.1) | .64 (16.3) | .75 (19.1) | .75 (19.1) | .75 (19.1) |
| 22 | 1.69 (42.9) | 1.49 (37.8) | .72 (18.3) | .88 (22.2) | .72 (18.3) | .88 (22.2) | .88 (22.2) | .88 (22.2) |
| 24 | 1.81 (46.0) | 1.62 (41.1) | .79 (20.0) | 1.00 (25.4) | .79 (20.0) | 1.00 (25.4) | 1.00 (25.4) | 1.00 (25.4) |
| 28 | 1.91 (48.5) | 1.68 (42.7) | .89 (20.3) | 1.13 (28.6) | .89 (20.3) | 1.13 (28.6) | 1.13 (28.6) | 1.13 (28.6) |
| 32 | 2.02 (51.3) | 1.82 (46.2) | .96 (24.4) | 1.25 (31.8) | .96 (24.4) | 1.25 (31.8) | 1.25 (31.8) | 1.25 (31.8) |

* Cable range equals diameter of cable outer jacket.