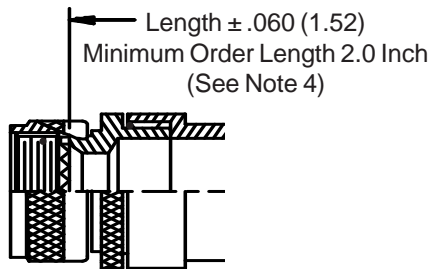
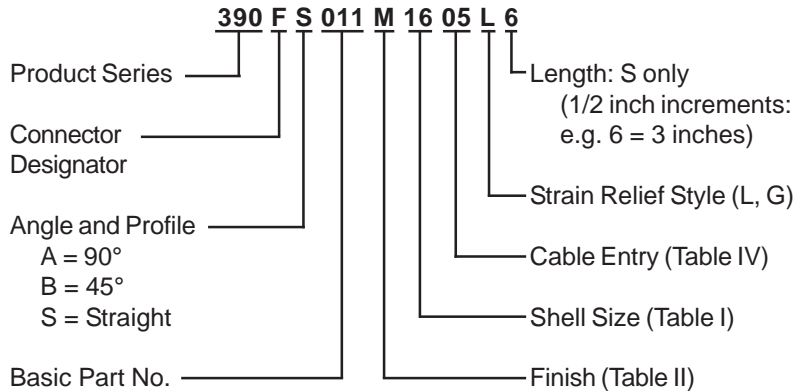


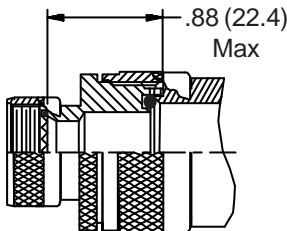
CONNECTOR DESIGNATORS
A-F-H-L-S

ROTATABLE COUPLING

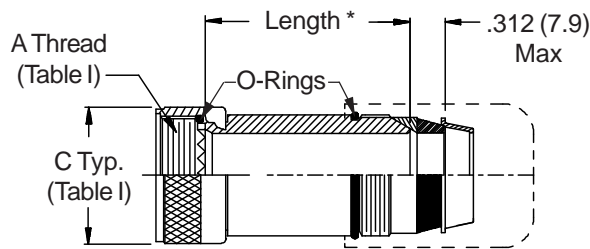
TYPE C OVERALL SHIELD TERMINATION



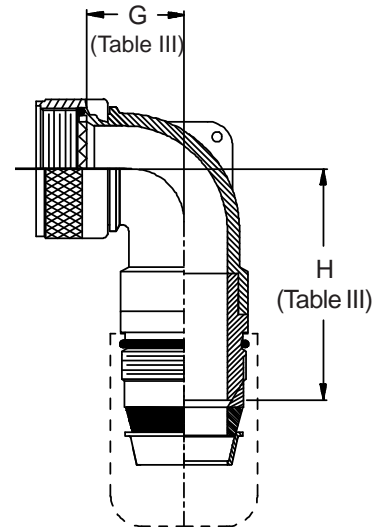
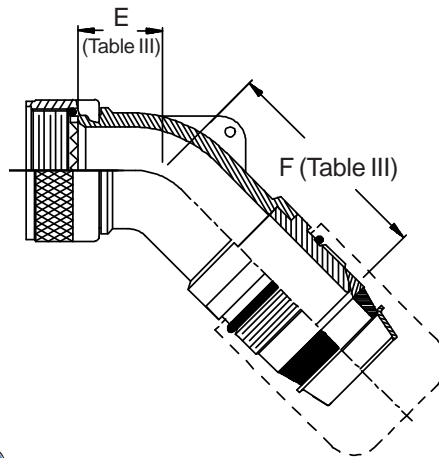
STYLE 2
(STRAIGHT
See Note 1)



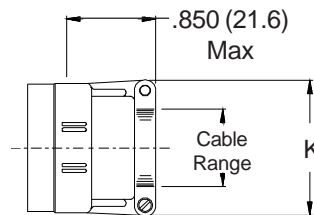
STYLE 2
(45° & 90°
See Note 1)



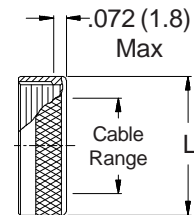
* Length $\pm .060$ (1.52)
 Minimum Order Length 1.5 Inch
 (See Note 4)



STYLE L
Light Duty
(Table IV)



STYLE G
Light Duty
(Table IV)



-445 Now Available with the "NESTOR"

Glenair's Non-Detent, Spring-Loaded, Self-Locking Coupling.
 Add "-445" to Specify This AS85049 Style "N" Coupling Interface.

