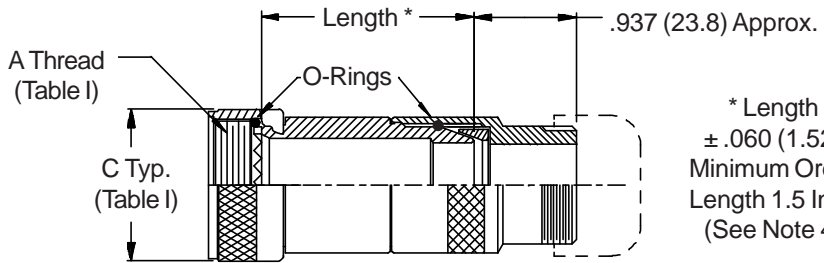


**CONNECTOR  
 DESIGNATORS  
 A-F-H-L-S  
 ROTATABLE  
 COUPLING**

**TYPE C OVERALL  
 SHIELD TERMINATION**

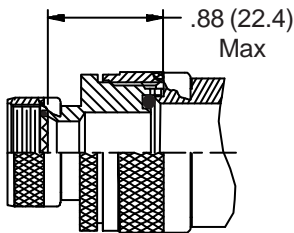


Length ± .060 (1.52)  
 Minimum Order Length 2.0 Inch  
 (See Note 4)

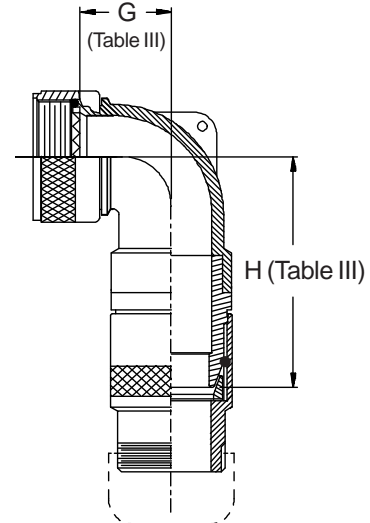


\* Length  
 ± .060 (1.52)  
 Minimum Order  
 Length 1.5 Inch  
 (See Note 4)

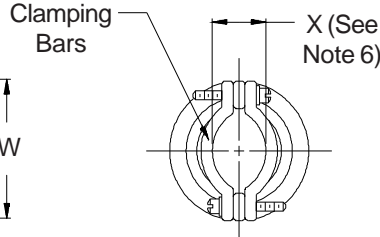
**STYLE 2  
 (STRAIGHT)**



**STYLE 2  
 (45° & 90°)**



**STYLE C  
 Medium Duty  
 (Table X)**



**STYLE E  
 Medium Duty  
 (Table XI)**

