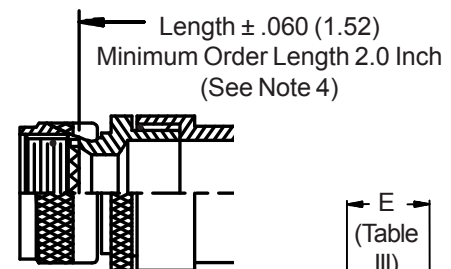
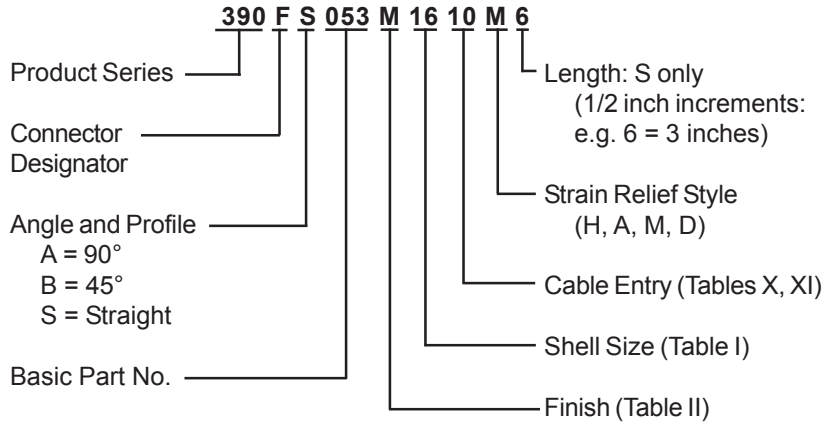
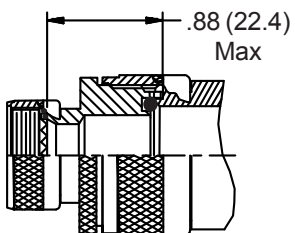


**CONNECTOR DESIGNATORS**  
**A-F-H-L-S**  
**ROTATABLE COUPLING**

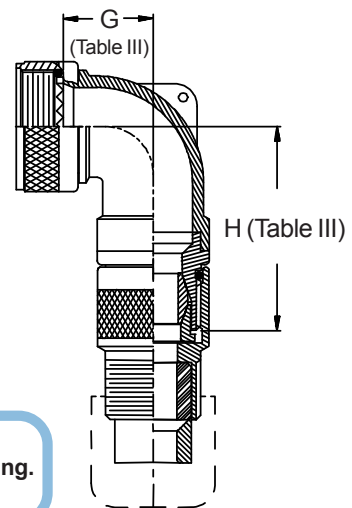
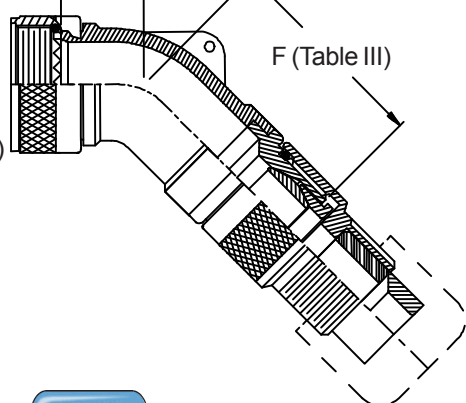
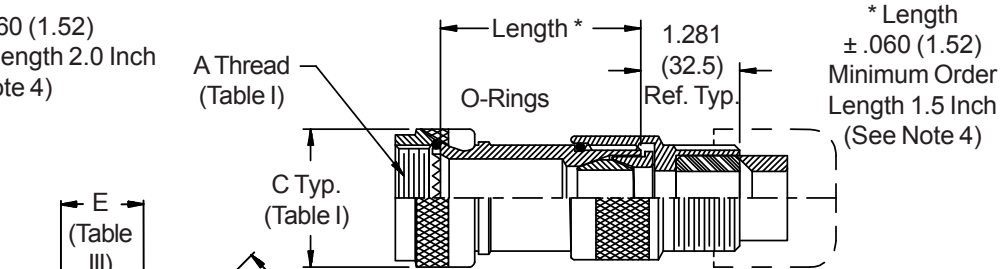
**TYPE F INDIVIDUAL AND/OR OVERALL SHIELD TERMINATION**



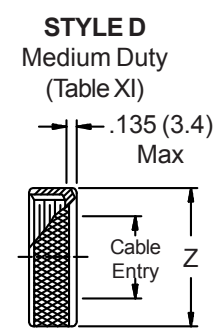
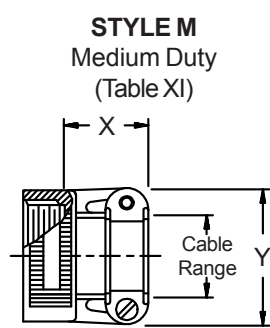
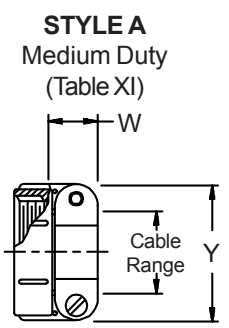
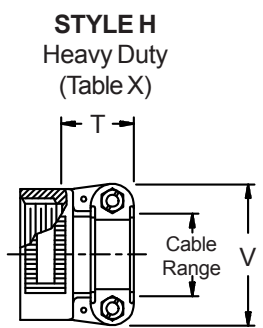
**STYLE 2 (STRAIGHT)**  
 See Note 1)



**STYLE 2 (45° & 90°)**  
 See Note 1)



**-445** Add "-445" to Specify Glenair's Non-Detent, ("NESTOR") Spring-Loaded, Self-Locking Coupling. See Page 41 for Details.



**390-053**  
**Submersible EMI/RFI Cable Sealing Backshell**  
with Strain Relief  
**Type F - Rotatable Coupling - Low Profile**



**TABLE III: ELBOW DIMENSIONS**

| Shell Size   |           | E     |        | F     |        | G     |        | H     |        |
|--------------|-----------|-------|--------|-------|--------|-------|--------|-------|--------|
| Conn. Desig. | A-F-L-S H | Max   |        | Max   |        | Max   |        | Max   |        |
| 08           | 09        | .457  | (11.6) | 1.410 | (35.8) | .500  | (12.7) | 1.420 | (36.1) |
| 10           | 11        | .520  | (13.2) | 1.470 | (37.3) | .595  | (15.1) | 1.540 | (39.1) |
| 12           | 13        | .582  | (14.8) | 1.530 | (38.9) | .610  | (15.5) | 1.560 | (39.6) |
| 14           | 15        | .645  | (16.4) | 2.144 | (54.5) | .700  | (17.8) | 2.154 | (54.7) |
| 16           | 17        | .738  | (18.7) | 2.254 | (57.3) | .885  | (22.5) | 2.244 | (57.0) |
| 18           | 19        | .926  | (23.5) | 2.444 | (62.1) | .975  | (24.8) | 2.414 | (61.3) |
| 20           | 21        | .926  | (23.5) | 2.444 | (62.1) | .975  | (24.8) | 2.414 | (61.3) |
| 22           | 23        | 1.020 | (25.9) | 2.657 | (67.5) | 1.125 | (28.6) | 2.587 | (65.7) |
| 24           | 25        | 1.020 | (25.9) | 2.657 | (67.5) | 1.125 | (28.6) | 2.587 | (65.7) |
| 28           |           | 1.145 | (29.1) | 2.690 | (68.3) | 1.225 | (31.1) | 2.740 | (69.6) |

See inside back cover  
fold-out or pages 13 and  
14 for Tables I and II.

**TABLE X: CABLE ENTRY**

| Dash No. | T Max        | V Max        | Cable Range  |              |
|----------|--------------|--------------|--------------|--------------|
|          |              |              | Min          | Max          |
| 04       | .780 (19.8)  | .957 (24.3)  | .125 (3.2)   | .312 (7.9)   |
| 06       | .780 (19.8)  | 1.145 (29.1) | .250 (6.4)   | .437 (11.1)  |
| 08       | .780 (19.8)  | 1.332 (33.8) | .387 (9.3)   | .562 (14.3)  |
| 10       | .780 (19.8)  | 1.332 (33.8) | .350 (8.9)   | .625 (15.9)  |
| 12       | .811 (20.6)  | 1.551 (39.4) | .500 (12.7)  | .750 (19.1)  |
| 16       | .905 (23.0)  | 1.770 (45.0) | .625 (15.9)  | .937 (23.8)  |
| 20       | 1.092 (27.7) | 2.113 (53.7) | .875 (22.2)  | 1.250 (31.8) |
| 24       | 1.124 (28.5) | 2.363 (60.0) | 1.000 (25.4) | 1.375 (34.9) |
| 28       | 1.399 (35.5) | 2.770 (70.4) | 1.250 (31.8) | 1.625 (41.3) |
| 32       | 1.399 (35.5) | 3.020 (76.7) | 1.437 (36.5) | 1.875 (47.6) |

1. When maximum cable entry (page 21) is exceeded, Style 2 will be supplied. Dimensions E, F, G and H will not apply. Please consult factory.
2. Metric dimensions (mm) are indicated in parentheses.
3. Cable range is defined as the accommodations range for the wire bundle or cable. Dimensions shown are not intended for inspection criteria.
4. Consult factory for shorter lengths on straight backshells.
5. Interface O-Ring not supplied with connector designator A.

**TABLE XI: CABLE ENTRY**

| Dash No. | W Max        | X Max        | Y Max        | Z Max        | Cable Range  |              |
|----------|--------------|--------------|--------------|--------------|--------------|--------------|
|          |              |              |              |              | Min          | Max          |
| 03*      | .437 (11.1)  | .760 (19.3)  | .843 (21.4)  | .630 (16.0)  | .156 (4.0)   | .250 (6.4)   |
| 04*      | .437 (11.1)  | .760 (19.3)  | .906 (23.0)  | .755 (19.2)  | .188 (4.8)   | .312 (7.9)   |
| 06*      | .500 (12.7)  | .760 (19.3)  | 1.093 (27.8) | .942 (23.9)  | .281 (7.1)   | .438 (11.1)  |
| 08       | .563 (14.3)  | .760 (19.3)  | 1.187 (30.1) | 1.067 (27.1) | .387 (9.3)   | .562 (14.3)  |
| 10       | .563 (14.3)  | .760 (19.3)  | 1.281 (32.5) | 1.192 (30.3) | .375 (9.5)   | .625 (15.9)  |
| 12       | .563 (14.3)  | .760 (19.3)  | 1.500 (38.1) | 1.380 (35.1) | .438 (11.1)  | .750 (19.1)  |
| 16       | .656 (16.7)  | 1.073 (27.3) | 1.719 (43.7) | 1.535 (39.0) | .625 (15.9)  | .938 (23.8)  |
| 20       | .656 (16.7)  | 1.323 (33.6) | 2.062 (52.4) | 1.848 (46.9) | .875 (22.2)  | 1.250 (31.8) |
| 24       | .656 (16.7)  | 1.323 (33.6) | 2.312 (58.7) | 2.255 (57.3) | 1.000 (25.4) | 1.375 (34.9) |
| 28       | 1.188 (30.2) | 1.572 (39.9) | 2.719 (69.1) | 2.505 (63.6) | 1.250 (31.8) | 1.625 (41.3) |
| 32*      | 1.187 (30.1) | 1.572 (39.9) | 2.969 (75.4) | 2.755 (70.0) | 1.437 (36.5) | 1.875 (47.6) |
| 40*      | 1.125 (28.6) | 1.572 (39.9) | 3.531 (89.7) | 3.255 (82.7) | 1.875 (47.6) | 2.375 (60.3) |

\* Not available in Style M clamp.