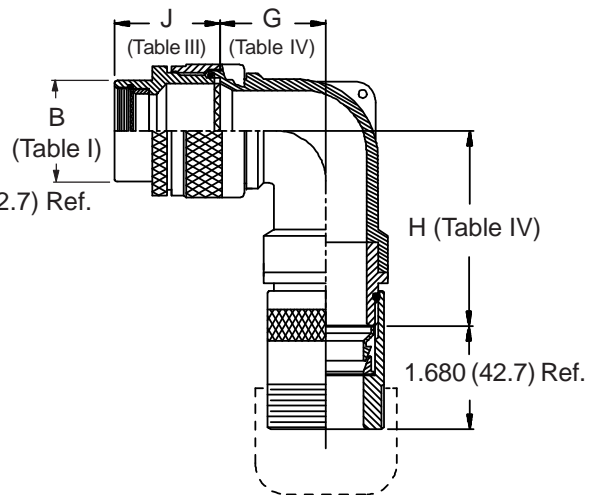
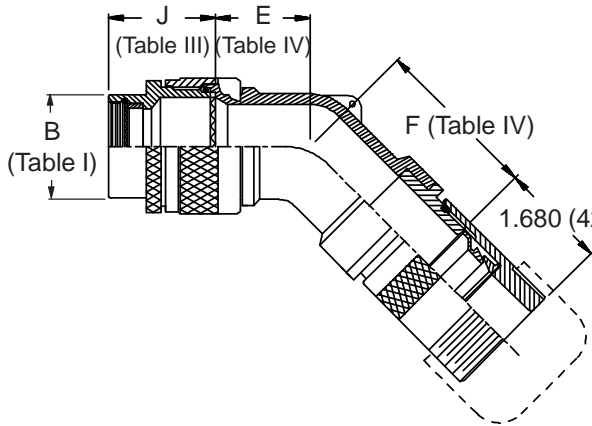
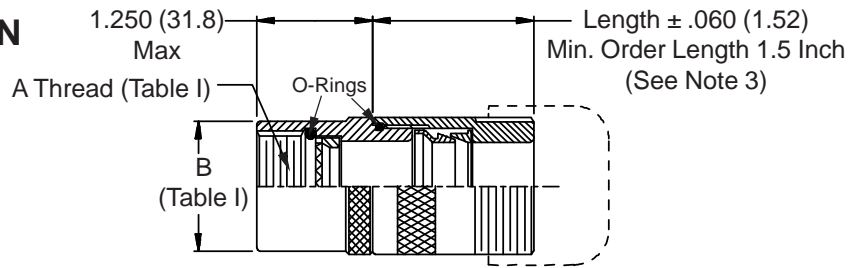
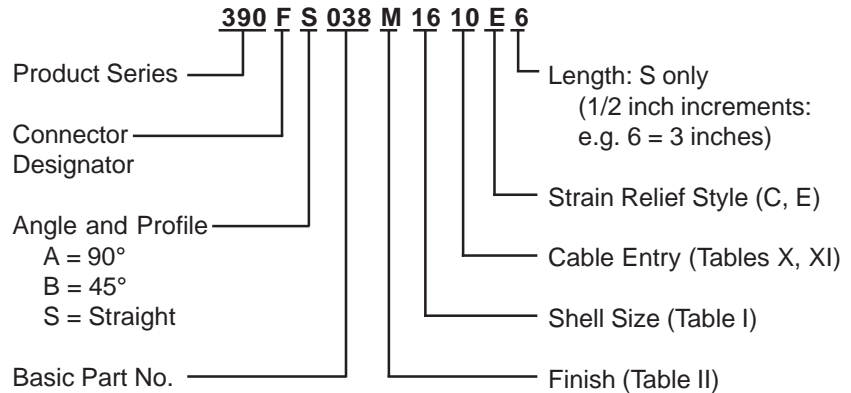


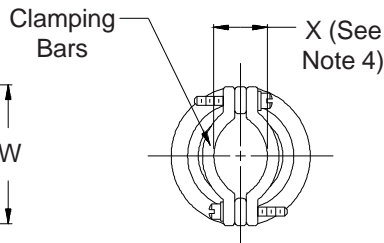
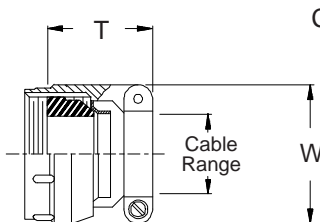
**CONNECTOR DESIGNATORS**  
**A-B\*-C-D-E-F**  
**G-H-J-K-L-S**

\* Conn. Desig. B See Note 5  
**DIRECT COUPLING**

**TYPE G INDIVIDUAL AND/OR OVERALL SHIELD TERMINATION**



**STYLE C**  
 Medium Duty  
 (Table X)



**STYLE E**  
 Medium Duty  
 (Table XI)

