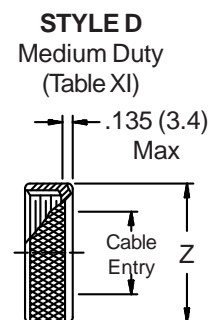
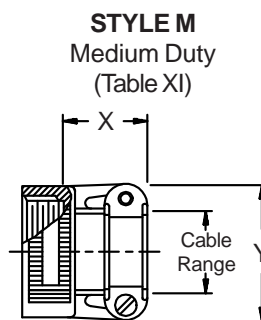
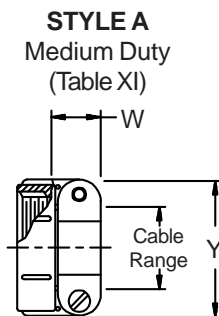
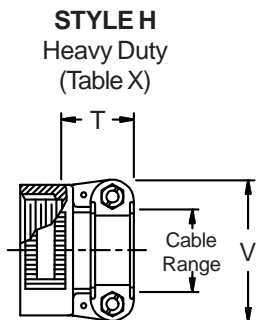
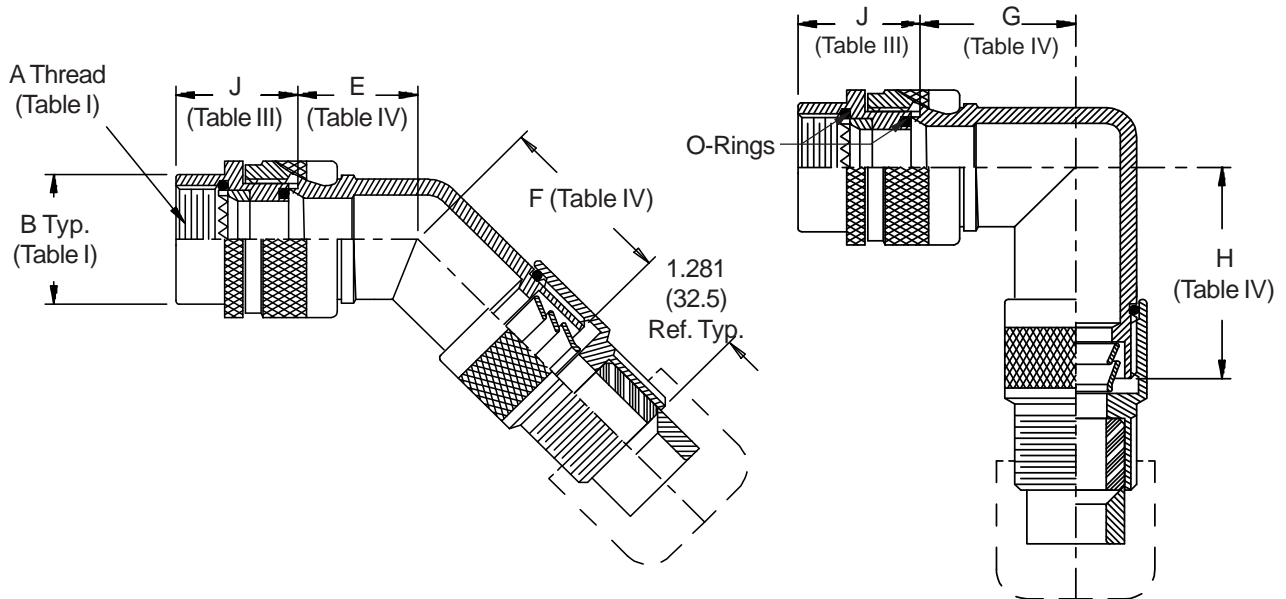
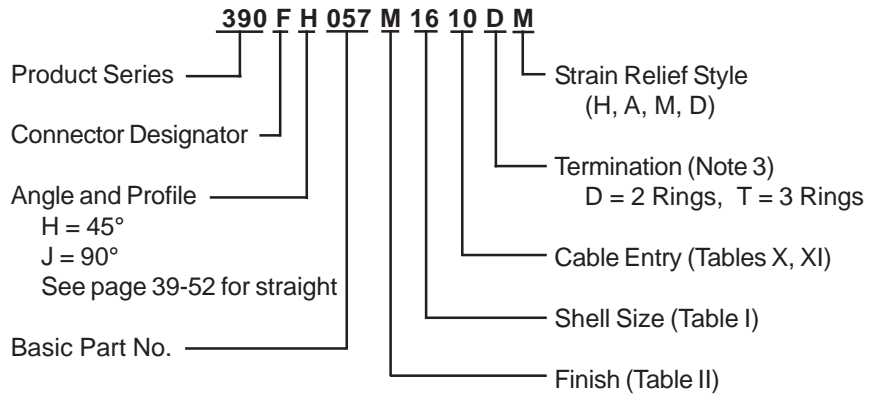


**CONNECTOR  
 DESIGNATORS**  
**A-B\*-C-D-E-F**  
**G-H-J-K-L-S**

\* Conn. Desig. B See Note 4  
**DIRECT COUPLING**

**TYPE E INDIVIDUAL  
 AND/OR OVERALL  
 SHIELD TERMINATION**



**390-057**  
**Submersible EMI/RFI Cable Sealing Backshell**  
with Strain Relief  
**Type E - Direct Coupling - Standard Profile**



See inside back cover fold-out or pages 13 and 14 for Tables I and II.

TABLE III: FRONT ADAPTER			
Shell Size	J Max - Conn. Designator		
	A-E-F		
	J-H-L-S	D-B-G-K	C
08/09	1.180 (30.0)	1.440 (36.6)	
10/11	1.180 (30.0)	1.440 (36.6)	
12/13	1.180 (30.0)	1.440 (36.6)	1.735 (44.1)
14/15	1.180 (30.0)	1.440 (36.6)	1.915 (48.6)
16/17	1.380 (35.0)	1.560 (39.6)	1.915 (48.6)
18/19	1.380 (35.0)	1.560 (39.6)	1.915 (48.6)
20/21	1.380 (35.0)	1.560 (39.6)	1.915 (48.6)
22/23	1.380 (35.0)	1.560 (39.6)	1.915 (48.6)
24/25	1.380 (35.0)	1.560 (39.6)	1.915 (48.6)
28/29	1.610 (40.9)	1.560 (39.6)	1.915 (48.6)
32/33	1.610 (40.9)	1.750 (44.5)	1.915 (48.6)
36	1.610 (40.9)	1.750 (44.5)	1.915 (48.6)
40	1.610 (40.9)	2.190 (55.6)	1.915 (48.6)

TABLE IV: ELBOW DIMENSIONS								
Elbow Size	E Max		F Max		G Max		H Max	
03	.664	(16.9)	1.039	(26.4)	.810	(20.6)	1.179	(29.9)
04	.688	(17.5)	1.059	(26.9)	.870	(22.1)	1.239	(31.5)
06	.705	(17.9)	1.089	(27.7)	.920	(23.4)	1.309	(33.2)
08	.732	(18.6)	1.109	(28.7)	.980	(24.9)	1.369	(34.8)
10	.732	(18.6)	1.109	(28.7)	.980	(24.9)	1.369	(34.8)
12	.773	(19.6)	1.139	(28.9)	1.080	(27.4)	1.449	(36.8)
16	.823	(20.9)	1.209	(30.7)	1.200	(30.5)	1.599	(40.6)
20	1.041	(26.4)	1.379	(34.9)	1.480	(37.6)	1.839	(46.7)
24	1.092	(27.7)	1.419	(36.0)	1.610	(40.9)	1.929	(49.0)
28	1.138	(28.9)	1.469	(37.3)	1.720	(43.7)	2.039	(51.8)
32	1.184	(30.1)	1.509	(38.3)	1.830	(46.5)	2.149	(54.6)
40	1.287	(32.7)	1.609	(40.9)	2.080	(52.8)	2.399	(60.9)

TABLE X: CABLE ENTRY							
Dash No.	T Max	V Max	Cable Range				
			Min		Max		
04	.780 (19.8)	.957 (24.3)	.125 (3.2)	.312 (7.9)			
06	.780 (19.8)	1.145 (29.1)	.250 (6.4)	.437 (11.1)			
08	.780 (19.8)	1.332 (33.8)	.387 (9.8)	.562 (14.3)			
10	.780 (19.8)	1.332 (33.8)	.350 (8.9)	.625 (15.9)			
12	.811 (20.6)	1.551 (39.4)	.500 (12.7)	.750 (19.1)			
16	.905 (23.0)	1.770 (45.0)	.625 (15.9)	.937 (23.8)			
20	1.092 (27.7)	2.113 (53.7)	.875 (22.2)	1.250 (31.8)			
24	1.124 (28.5)	2.363 (60.0)	1.000 (25.4)	1.375 (34.9)			
28	1.399 (35.5)	2.770 (70.4)	1.250 (31.8)	1.625 (41.3)			
32	1.399 (35.5)	3.020 (76.7)	1.437 (36.5)	1.875 (47.6)			

1. Metric dimensions (mm) are indicated in parentheses.
2. Cable range is defined as the accommodations range for the wire bundle or cable. Dimensions shown are not intended for inspection criteria.
3. Designate Symbol T for 3 ring termination of individual and overall braid. Designate D for standard 2 ring termination of individual or overall braid.
4. When using Connector Designator B refer to pages 18 and 19 for part number development.

TABLE XI: CABLE ENTRY								
Dash No.	W Max	X Max	Y Max	Z Max	Cable Range			
					Min **		Max	
03*	.437 (11.1)	.760 (19.3)	.843 (21.4)	.630 (16.0)	.156 (4.0)	.250 (6.4)		
04*	.437 (11.1)	.760 (19.3)	.906 (23.0)	.755 (19.2)	.188 (4.8)	.312 (7.9)		
06*	.500 (12.7)	.760 (19.3)	1.093 (27.8)	.942 (23.9)	.281 (7.1)	.438 (11.1)		
08	.563 (14.3)	.760 (19.3)	1.187 (30.1)	1.067 (27.1)	.387 (9.8)	.562 (14.3)		
10	.563 (14.3)	.760 (19.3)	1.281 (32.5)	1.192 (30.3)	.375 (9.5)	.625 (15.9)		
12	.563 (14.3)	.760 (19.3)	1.500 (38.1)	1.380 (35.1)	.438 (11.1)	.750 (19.1)		
16	.656 (16.7)	1.073 (27.3)	1.719 (43.7)	1.535 (39.0)	.625 (15.9)	.938 (23.8)		
20	.656 (16.7)	1.323 (33.6)	2.062 (52.4)	1.848 (46.9)	.875 (22.2)	1.250 (31.8)		
24	.656 (16.7)	1.323 (33.6)	2.312 (58.7)	2.255 (57.3)	1.000 (25.4)	1.375 (34.9)		
28	1.188 (30.2)	1.572 (39.9)	2.719 (69.1)	2.505 (63.6)	1.250 (31.8)	1.625 (41.3)		
32*	1.187 (30.1)	1.572 (39.9)	2.969 (75.4)	2.755 (70.0)	1.437 (36.5)	1.875 (47.6)		
40*	1.125 (28.6)	1.572 (39.9)	3.531 (89.7)	3.255 (82.7)	1.875 (47.6)	2.375 (60.3)		

\* Not available in Style M clamp.      \*\* Not Applicable Style D