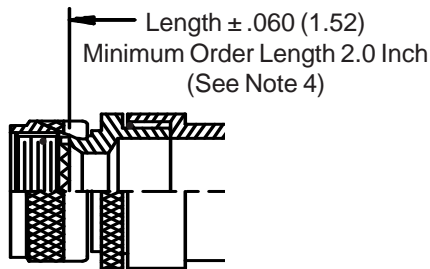
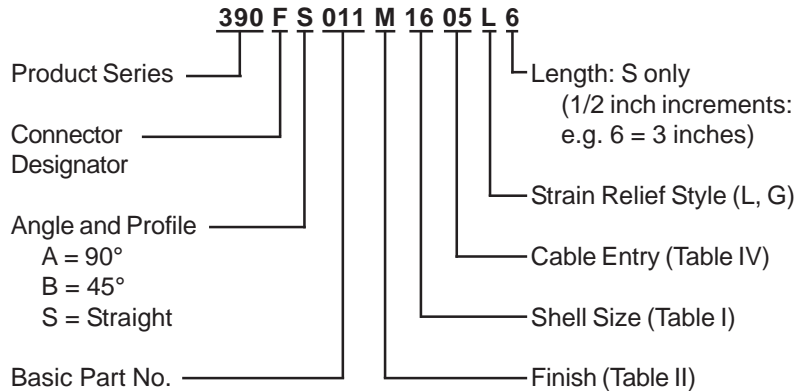
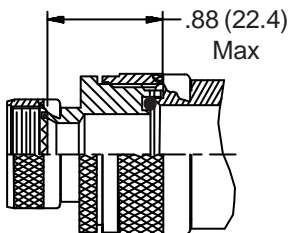


**CONNECTOR
 DESIGNATORS
 A-F-H-L-S
 ROTATABLE
 COUPLING**

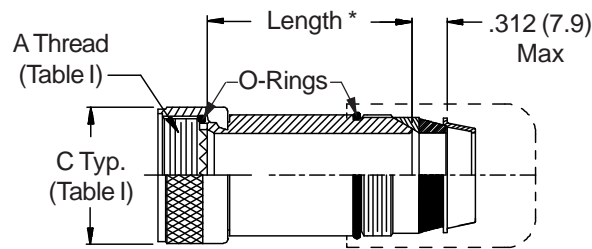
**TYPE C OVERALL
 SHIELD TERMINATION**



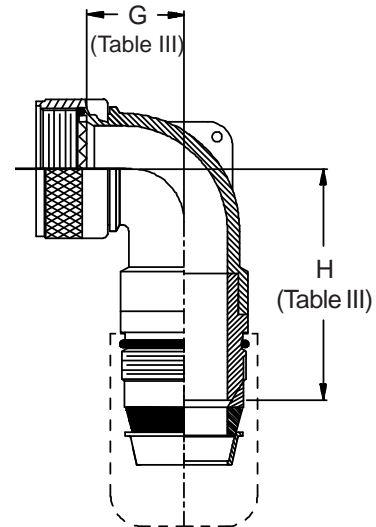
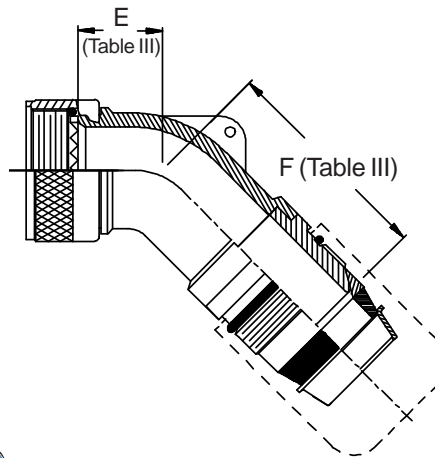
**STYLE 2
 (STRAIGHT
 See Note 1)**



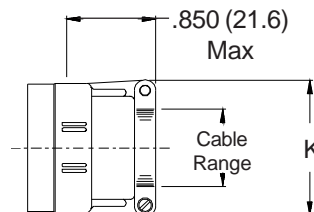
**STYLE 2
 (45° & 90°
 See Note 1)**



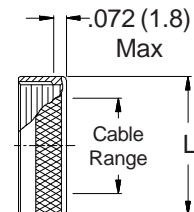
* Length $\pm .060$ (1.52)
 Minimum Order Length 1.5 Inch
 (See Note 4)



**STYLE L
 Light Duty
 (Table IV)**



**STYLE G
 Light Duty
 (Table IV)**



-445 Now Available with the "NESTOR"
Glenair's Non-Detent, Spring-Loaded, Self-Locking Coupling.
 Add "-445" to Specify This AS85049 Style "N" Coupling Interface.

