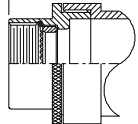


**CONNECTOR  
 DESIGNATORS**  
**A-B\*-C-D-E-F**  
**G-H-J-K-L-S**

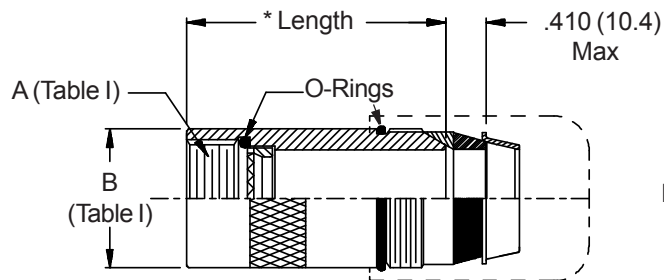
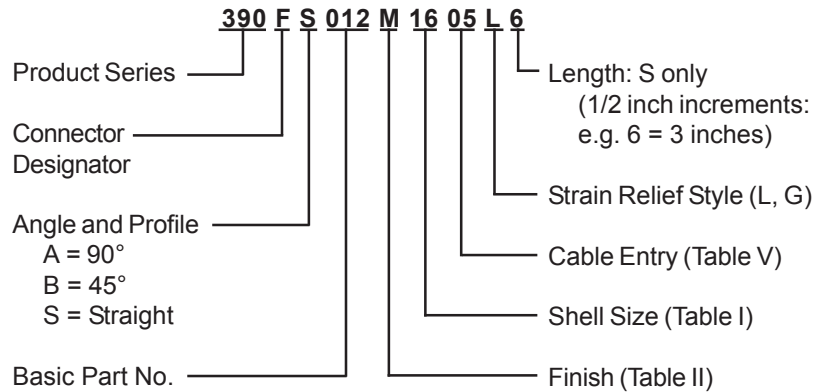
\* Conn. Desig. B See Note 5  
**DIRECT COUPLING**

**TYPE C OVERALL  
 SHIELD TERMINATION**

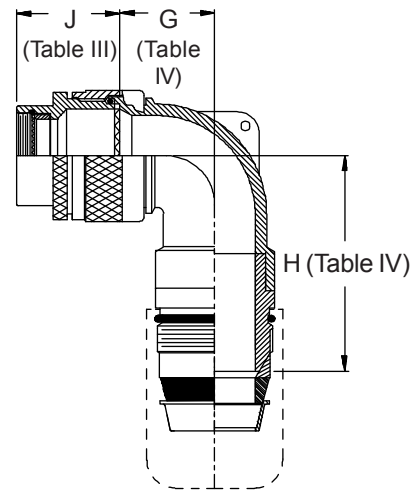
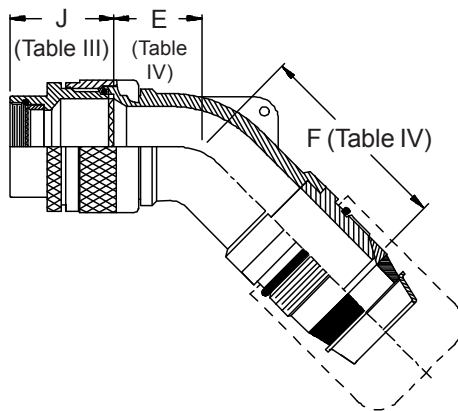
Length ± .060 (1.52)  
 Min. Order Length 2.0 Inch  
 (See Note 4)



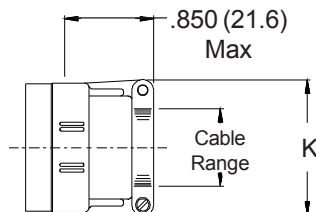
**STYLE 2  
 (STRAIGHT  
 See Note 1)**



\* Length  
 ± .060 (1.52)  
 Min. Order  
 Length 1.5 Inch  
 (See Note 4)



**STYLE L  
 Light Duty  
 (Table V)**



**STYLE G  
 Light Duty  
 (Table V)**

