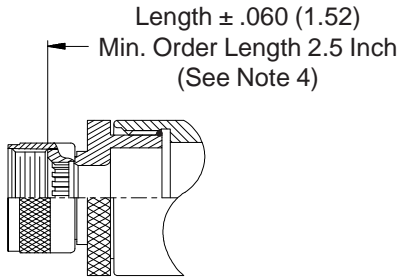
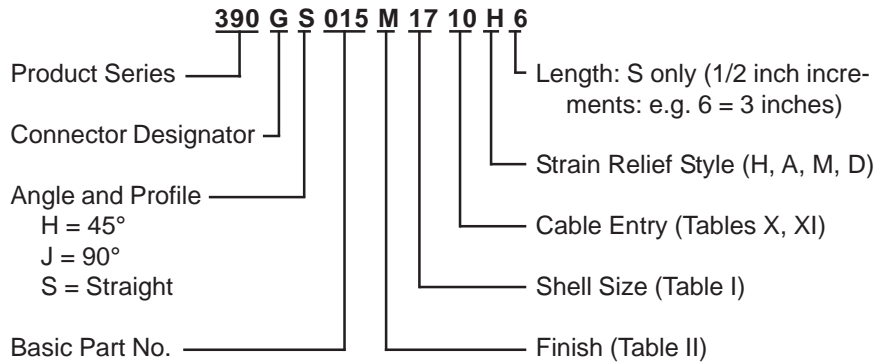


CONNECTOR DESIGNATOR

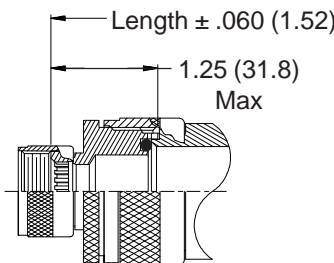
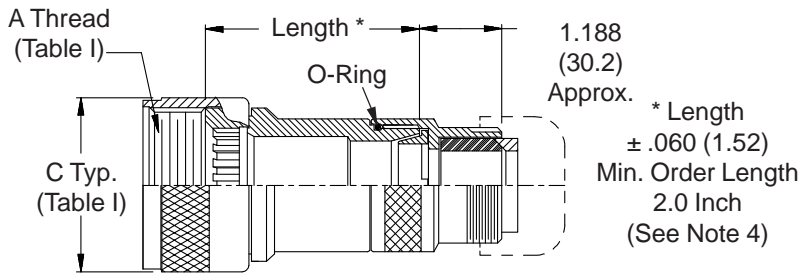


ROTATABLE COUPLING

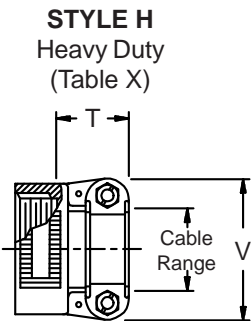
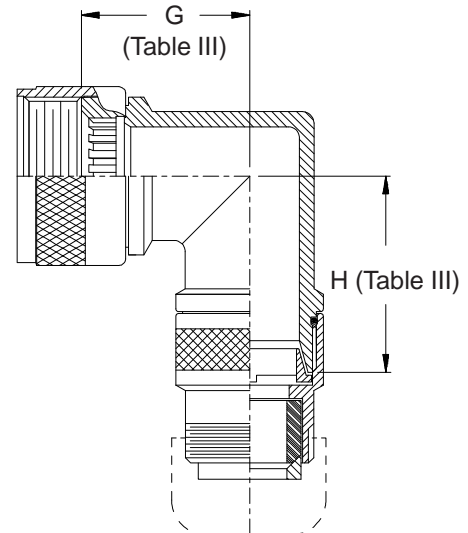
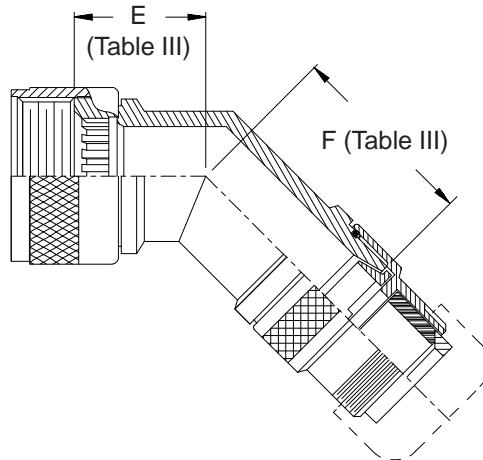
TYPE B INDIVIDUAL AND/OR OVERALL SHIELD TERMINATION



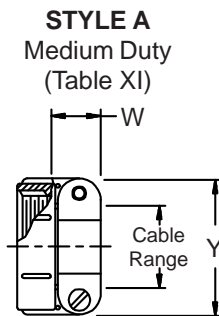
STYLE 2 (STRAIGHT See Note 1)



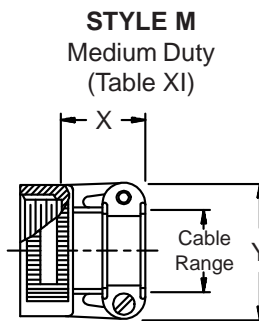
STYLE 2 (45° & 90° See Note 1)



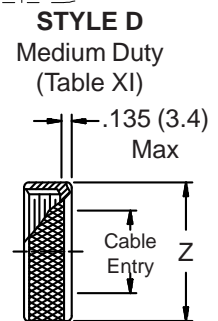
STYLE H Heavy Duty (Table X)



STYLE A Medium Duty (Table XI)



STYLE M Medium Duty (Table XI)



STYLE D Medium Duty (Table XI)

