

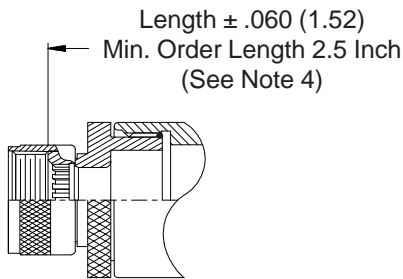
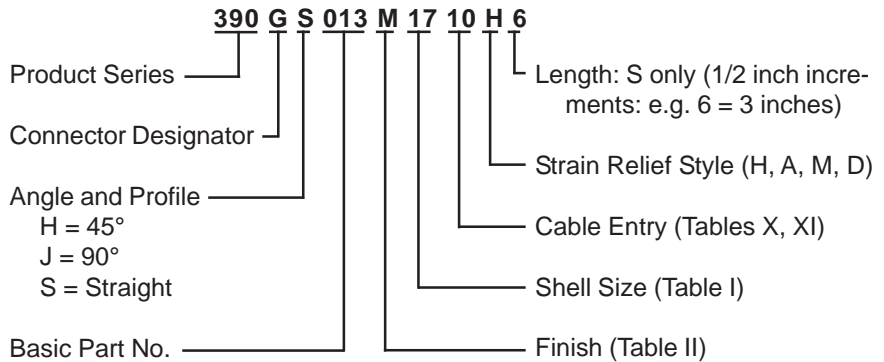
**390-013**  
**Submersible EMI/RFI Cable Sealing Backshell**  
**with Strain Relief**  
**Type A - Rotatable Coupling - Standard Profile**

**CONNECTOR  
DESIGNATOR**

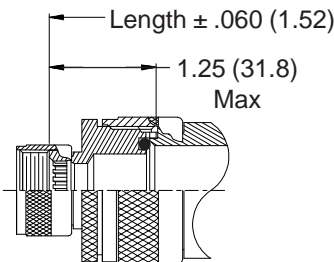
**G**

**ROTATABLE  
COUPLING**

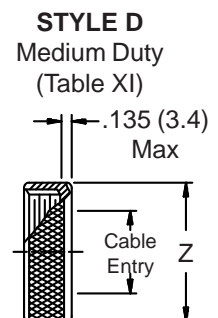
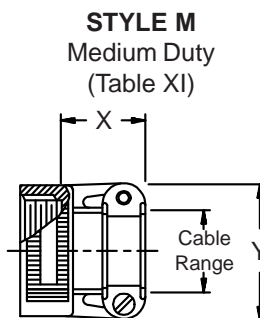
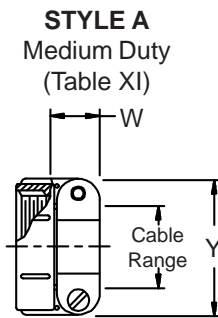
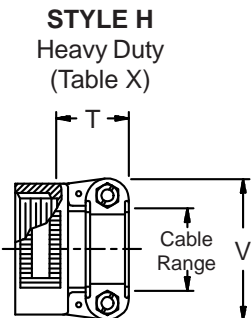
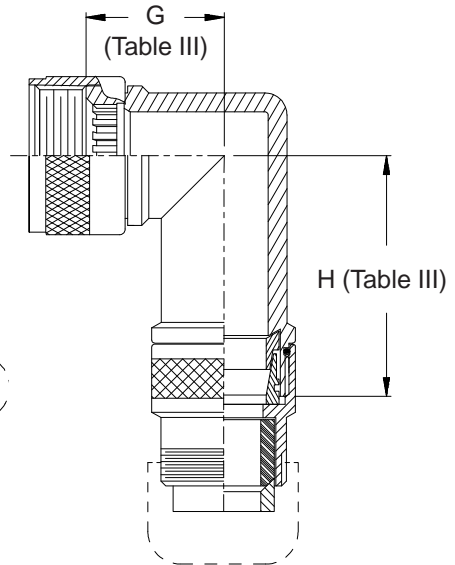
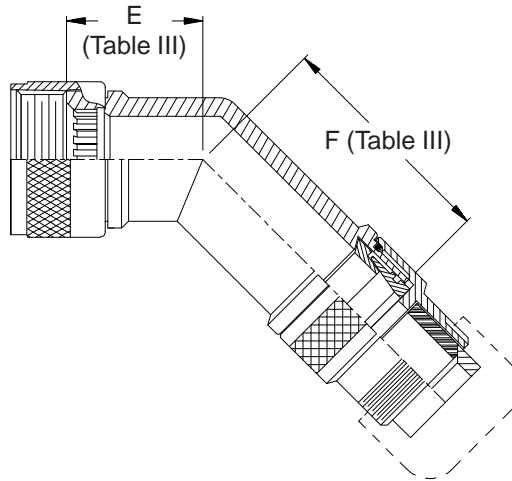
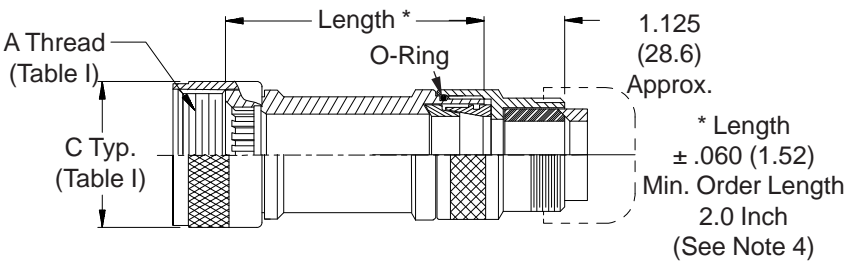
**TYPE A  
OVERALL SHIELD  
TERMINATION**



**STYLE 2  
(STRAIGHT  
See Note 1)**



**STYLE 2  
(45° & 90°  
See Note 1)**



**390-013**  
**Submersible EMI/RFI Cable Sealing Backshell**  
**with Strain Relief**  
**Type A - Rotatable Coupling - Standard Profile**



**TABLE III: ELBOW DIMENSIONS**

Shell Size	E Max	F Max	G Max	H Max
11	1.240 (31.5)	2.060 (52.3)	1.380 (35.1)	2.200 (55.9)
13	1.260 (32.0)	2.080 (52.8)	1.440 (36.6)	2.260 (57.4)
15	1.290 (32.8)	2.360 (59.9)	1.500 (38.1)	2.580 (65.5)
17	1.310 (33.3)	2.380 (60.5)	1.570 (39.9)	2.640 (67.1)
19	1.340 (34.0)	2.500 (63.5)	1.630 (41.4)	2.810 (71.4)
23	1.380 (35.1)	2.540 (64.5)	1.730 (43.9)	2.890 (73.4)
25	1.410 (35.8)	2.570 (65.3)	1.800 (45.7)	2.960 (75.2)
29	1.580 (40.1)	2.800 (71.1)	2.040 (51.8)	3.260 (82.8)
33	1.620 (41.1)	2.820 (71.6)	2.130 (54.1)	3.330 (84.6)

See inside back cover fold-out or pages 13 and 14 for Tables I and II.

**TABLE X: CABLE ENTRY**

Dash No.	T Max	V Max	Cable Range	
			Min	Max
04	.780 (19.8)	.957 (24.3)	.125 (3.2)	.312 (7.9)
06	.780 (19.8)	1.145 (29.1)	.250 (6.4)	.437 (11.1)
08	.780 (19.8)	1.332 (33.8)	.387 (9.8)	.562 (14.3)
10	.780 (19.8)	1.332 (33.8)	.350 (8.9)	.625 (15.9)
12	.811 (20.6)	1.551 (39.4)	.500 (12.7)	.750 (19.1)
16	.905 (23.0)	1.770 (45.0)	.625 (15.9)	.937 (23.8)
20	1.092 (27.7)	2.113 (53.7)	.875 (22.2)	1.250 (31.8)
24	1.124 (28.5)	2.363 (60.0)	1.000 (25.4)	1.375 (34.9)
28	1.399 (35.5)	2.770 (70.4)	1.250 (31.8)	1.625 (41.3)
32	1.399 (35.5)	3.020 (76.7)	1.437 (36.5)	1.875 (47.6)

1. When maximum cable entry (page 21) is exceeded, Style 2 will be supplied. Dimensions E, F, G and H will not apply. Please consult factory.
2. Metric dimensions (mm) are indicated in parentheses.
3. Cable range is defined as the accommodations range for the wire bundle or cable. Dimensions shown are not intended for inspection criteria.
4. Consult factory for shorter lengths on straight backshells.

**TABLE XI: CABLE ENTRY**

Dash No.	W Max	X Max	Y Max	Z Max	Cable Range	
					Min	Max
03*	.437 (11.1)	.760 (19.3)	.843 (21.4)	.630 (16.0)	.156 (4.0)	.250 (6.4)
04*	.437 (11.1)	.760 (19.3)	.906 (23.0)	.755 (19.2)	.188 (4.8)	.312 (7.9)
06*	.500 (12.7)	.760 (19.3)	1.093 (27.8)	.942 (23.9)	.281 (7.1)	.438 (11.1)
08	.563 (14.3)	.760 (19.3)	1.187 (30.1)	1.067 (27.1)	.387 (9.8)	.562 (14.3)
10	.563 (14.3)	.760 (19.3)	1.281 (32.5)	1.192 (30.3)	.375 (9.5)	.625 (15.9)
12	.563 (14.3)	.760 (19.3)	1.500 (38.1)	1.380 (35.1)	.438 (11.1)	.750 (19.1)
16	.656 (16.7)	1.073 (27.3)	1.719 (43.7)	1.535 (39.0)	.625 (15.9)	.938 (23.8)
20	.656 (16.7)	1.323 (33.6)	2.062 (52.4)	1.848 (46.9)	.875 (22.2)	1.250 (31.8)
24	.656 (16.7)	1.323 (33.6)	2.312 (58.7)	2.255 (57.3)	1.000 (25.4)	1.375 (34.9)
28	1.188 (30.2)	1.572 (39.9)	2.719 (69.1)	2.505 (63.6)	1.250 (31.8)	1.625 (41.3)
32*	1.187 (30.1)	1.572 (39.9)	2.969 (75.4)	2.755 (70.0)	1.437 (36.5)	1.875 (47.6)
40*	1.125 (28.6)	1.572 (39.9)	3.531 (89.7)	3.255 (82.7)	1.875 (47.6)	2.375 (60.3)

\* Not available in Style M clamp.

-445 Add "-445" to Specify Glenair's Non-Detent, ("NESTOR") Spring-Loaded, Self-Locking Coupling. See Page 41 for Details.