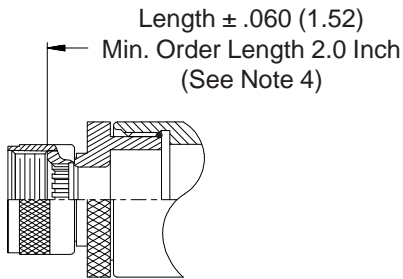
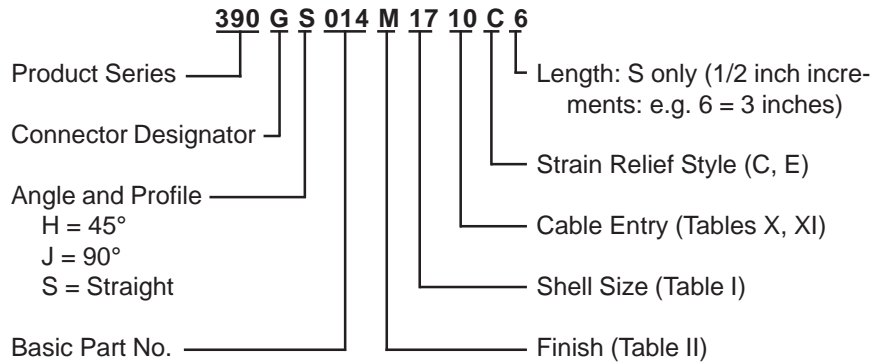
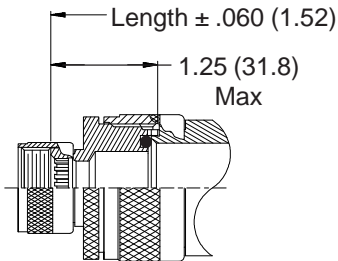
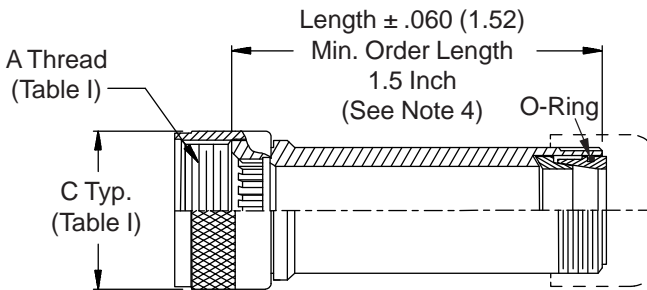


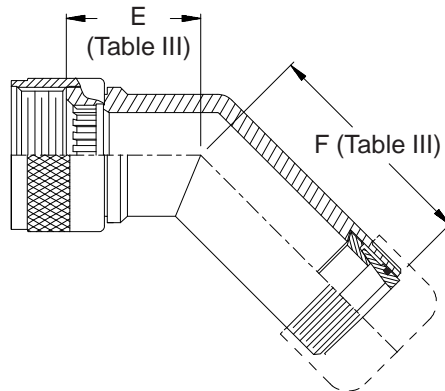
**CONNECTOR
DESIGNATOR**
G
**ROTATABLE
COUPLING**
**TYPE A OVERALL
SHIELD TERMINATION**



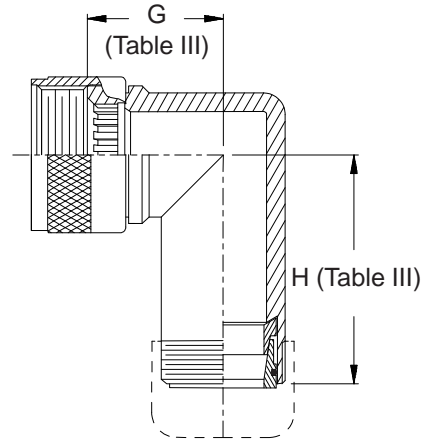
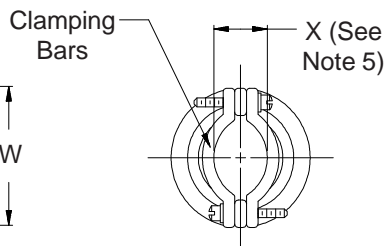
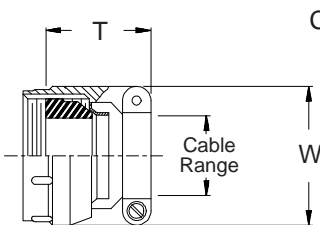
**STYLE 2
(STRAIGHT
See Note 1)**



**STYLE 2
(45° & 90°
See Note 1)**



**STYLE C
Medium Duty
(Table X)**



**STYLE E
Medium Duty
(Table XI)**

