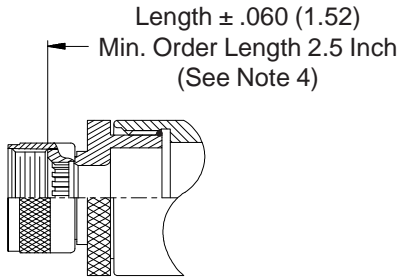
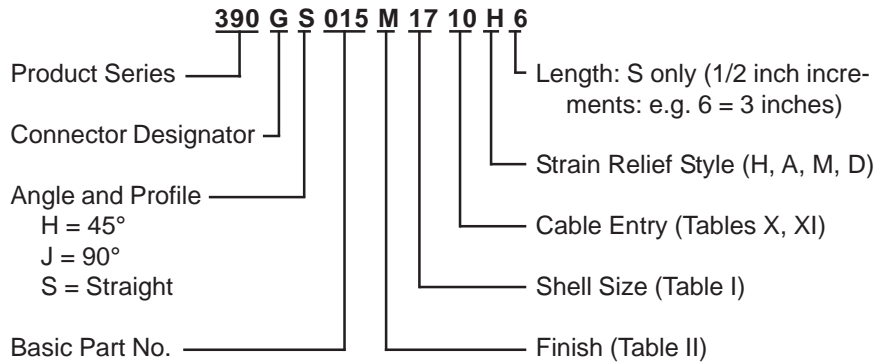


CONNECTOR DESIGNATOR

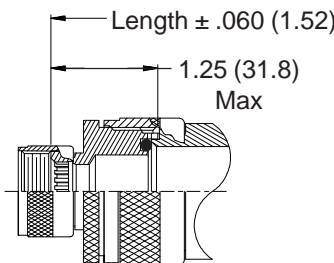
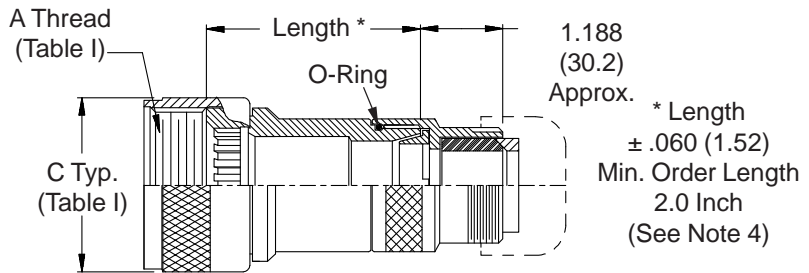


ROTATABLE COUPLING

TYPE B INDIVIDUAL AND/OR OVERALL SHIELD TERMINATION



STYLE 2 (STRAIGHT)
 See Note 1



STYLE 2 (45° & 90°)
 See Note 1

