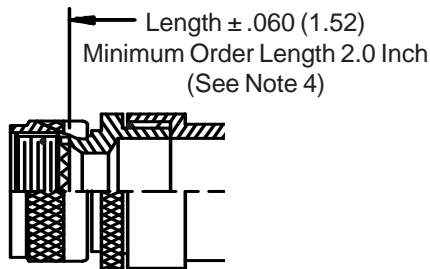
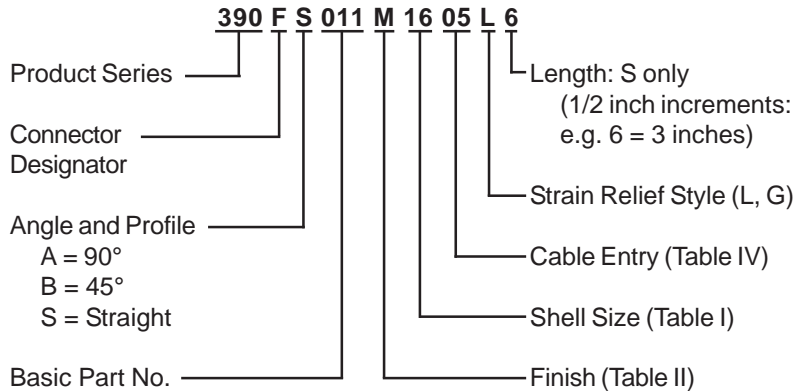


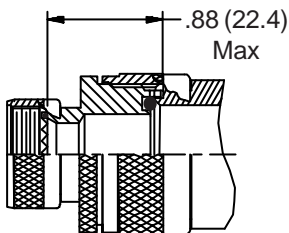
**CONNECTOR
 DESIGNATORS
 A-F-H-L-S**

**ROTATABLE
 COUPLING**

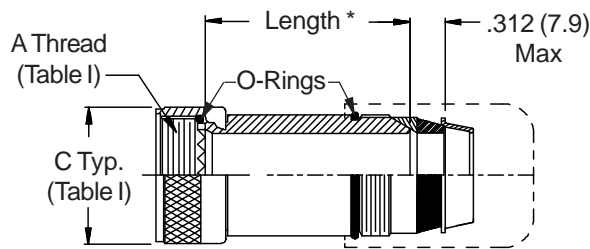
**TYPE C OVERALL
 SHIELD TERMINATION**



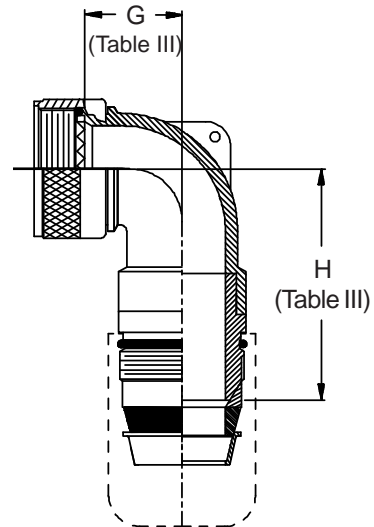
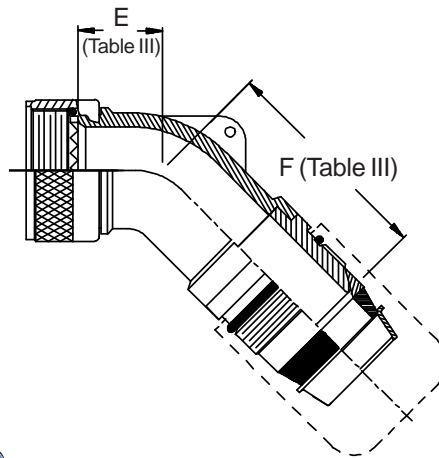
**STYLE 2
 (STRAIGHT
 See Note 1)**



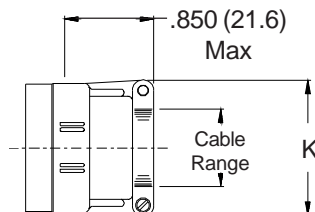
**STYLE 2
 (45° & 90°
 See Note 1)**



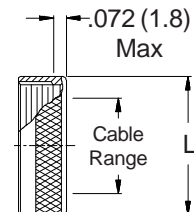
* Length
 $\pm .060$ (1.52)
 Minimum Order
 Length 1.5 Inch
 (See Note 4)



**STYLE L
 Light Duty
 (Table IV)**



**STYLE G
 Light Duty
 (Table IV)**



-445 Now Available with the "NESTOR"

Glenair's Non-Detent, Spring-Loaded, Self-Locking Coupling.
 Add "-445" to Specify This AS85049 Style "N" Coupling Interface.

See inside back cover fold-out or pages 13 and 14 for Tables I and II.

Shell Size		E Max	F Max	G Max	H Max
Conn. Desig. A-F-L-S	H				
08	09			.500 (12.7)	1.698 (43.1)
10	11	.520 (13.2)	1.748 (44.4)	.595 (15.1)	1.818 (46.2)
12	13	.582 (14.8)	1.808 (45.9)	.610 (15.5)	1.838 (46.7)
14	15	.645 (16.4)	1.898 (48.2)	.700 (17.8)	1.908 (48.5)
16	17	.738 (18.7)	2.008 (51.0)	.885 (22.5)	1.998 (50.7)
18	19	.926 (23.5)	2.198 (55.8)	.975 (24.8)	2.168 (55.1)
20	21	.926 (23.5)	2.198 (55.8)	.975 (24.8)	2.168 (55.1)
22	23	1.020 (25.9)	2.348 (59.6)	1.125 (28.6)	2.278 (57.9)
24	25	1.020 (25.9)	2.348 (59.6)	1.125 (28.6)	2.278 (57.9)
28		1.145 (29.1)	2.398 (60.9)	1.225 (31.1)	2.448 (62.2)
32		1.207 (30.7)	2.498 (63.4)	1.575 (40.0)	2.698 (68.5)
36		1.238 (31.4)	2.588 (65.7)	1.775 (45.1)	2.698 (68.5)

Dash No.	K Max	L Max	Cable Range	
			Min	Max
01	.781 (19.8)	.593 (15.1)	.062 (1.6)	.125 (3.2)
02	.968 (24.6)	.718 (18.2)	.125 (3.2)	.250 (6.4)
03	1.046 (26.6)	.843 (21.4)	.250 (6.4)	.375 (9.5)
04	1.156 (29.4)	.968 (24.6)	.375 (9.5)	.500 (12.7)
05	1.218 (30.9)	1.109 (28.2)	.500 (12.7)	.625 (15.9)
06	1.343 (34.1)	1.218 (30.9)	.625 (15.9)	.750 (19.1)
07	1.468 (37.3)	1.343 (34.1)	.750 (19.1)	.875 (22.2)
08	1.593 (40.5)	1.468 (37.3)	.875 (22.2)	1.000 (25.4)
09	1.718 (43.6)	1.593 (40.5)	1.000 (25.4)	1.125 (28.6)
10	1.843 (46.8)	1.718 (43.6)	1.125 (28.6)	1.250 (31.8)

1. When maximum cable entry (page 21) is exceeded, Style 2 will be supplied. Dimensions E, F, G and H will not apply. Please consult factory.
2. Metric dimensions (mm) are indicated in parentheses.
3. Cable range is defined as the accommodations range for the wire bundle or cable. Dimensions shown are not intended for inspection criteria.
4. Consult factory for shorter lengths on straight backshells.
5. Interface O-Ring not supplied with Connector Designator A.