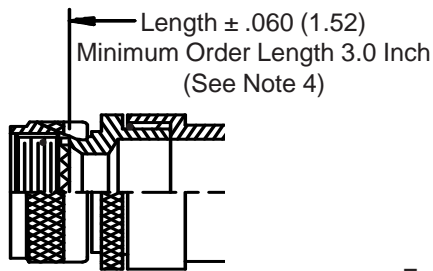
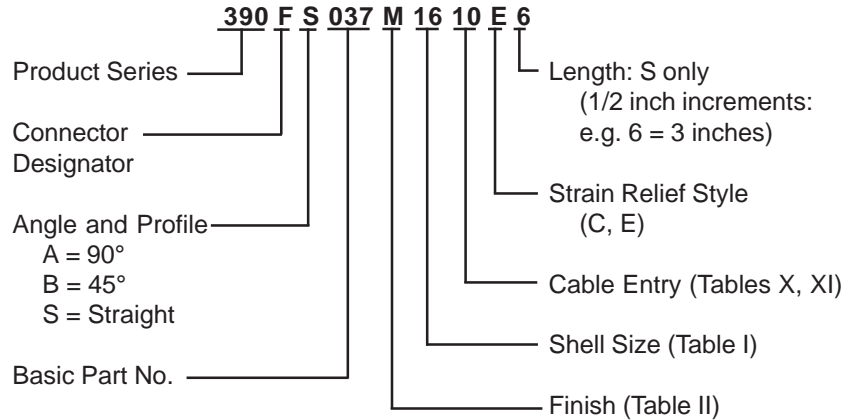
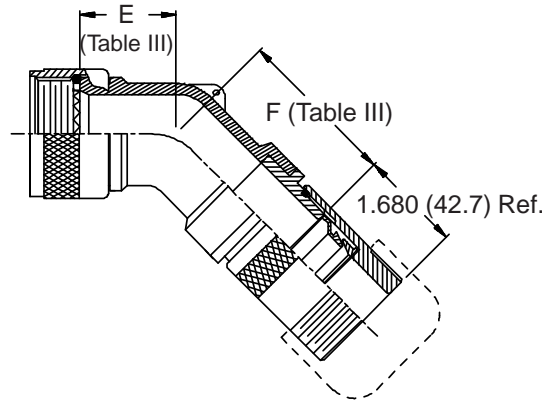
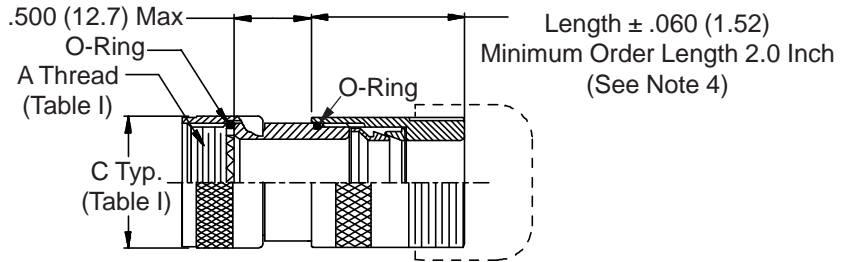


**CONNECTOR
 DESIGNATORS
 A-F-H-L-S
 ROTATABLE
 COUPLING**

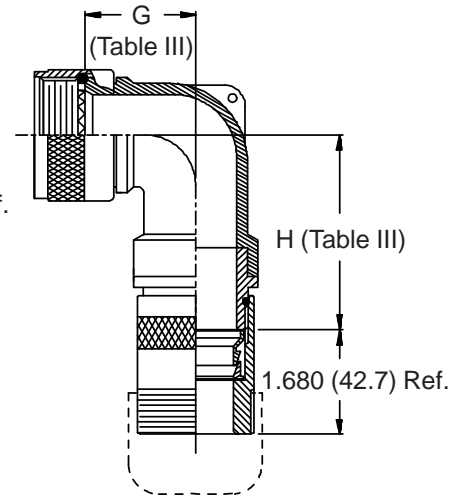
**TYPE G INDIVIDUAL
 AND/OR OVERALL
 SHIELD TERMINATION**



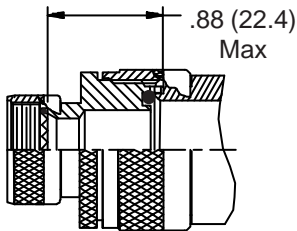
**STYLE 2
 (STRAIGHT
 See Note 1)**



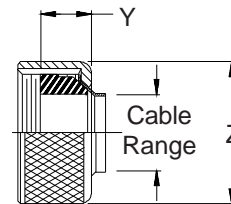
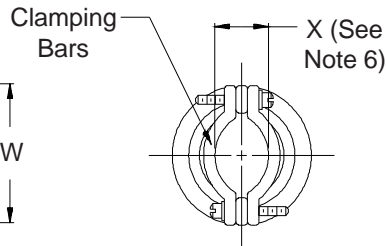
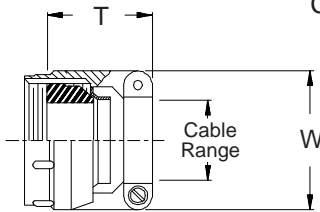
**STYLE 2
 (45° & 90°
 See Note 1)**



**STYLE E
 Medium Duty
 (Table XI)**



**STYLE C
 Medium Duty
 (Table X)**



Submersible EMI/RFI Cable Sealing Backshell with Strain Relief Type G - Rotatable Coupling - Low Profile

TABLE III

Shell Size		E	F	G	H
Conn. Desig.	A-F-L-S H	Max	Max	Max	Max
08	09	.457 (11.6)	1.780 (45.2)	.500 (12.7)	1.780 (45.2)
10	11	.520 (13.2)	1.840 (46.7)	.595 (15.1)	1.910 (48.5)
12	13	.582 (14.8)	1.900 (48.3)	.610 (15.5)	1.930 (49.0)
14	15	.645 (16.4)	2.220 (56.4)	.700 (17.8)	2.230 (56.6)
16	17	.738 (18.7)	2.330 (59.2)	.885 (22.5)	2.320 (58.9)
18	19	.926 (23.5)	2.520 (64.0)	.975 (24.8)	2.490 (63.2)
20	21	.926 (23.5)	2.520 (64.0)	.975 (24.8)	2.490 (63.2)
22	23	1.020 (25.9)	2.670 (67.8)	1.125 (28.6)	2.600 (66.0)
24	25	1.020 (25.9)	2.670 (67.8)	1.125 (28.6)	2.600 (66.0)
28		1.145 (29.1)	2.720 (69.1)	1.225 (31.1)	2.770 (70.4)
32		1.207 (30.7)	2.820 (71.6)	1.575 (40.0)	3.020 (76.7)
36		1.238 (31.4)	2.910 (73.9)	1.775 (45.1)	3.020 (76.7)

See inside back cover
fold-out or pages 13 and
14 for Tables I and II.

TABLE X

Dash No.	T Max	W Max	X Ref	Cable Range	
				Min	Max
03	1.219 (31.0)	.812 (20.6)	.135 (3.4)	.156 (4.0)	.219 (5.6)
04	1.219 (31.0)	.937 (23.8)	.203 (5.2)	.188 (4.8)	.312 (7.9)
06	1.219 (31.0)	1.062 (27.0)	.285 (7.2)	.281 (7.1)	.438 (11.1)
08	1.219 (31.0)	1.188 (30.2)	.350 (8.9)	.312 (7.9)	.531 (13.5)
10	1.281 (32.5)	1.312 (33.3)	.390 (9.9)	.375 (9.5)	.625 (15.9)
12	1.281 (32.5)	1.562 (39.7)	.460 (11.7)	.500 (12.7)	.750 (19.1)
16	1.406 (35.7)	1.750 (44.5)	.510 (13.0)	.625 (15.9)	.938 (23.8)
20	1.656 (42.1)	2.250 (57.2)	.695 (17.7)	.938 (23.8)	1.250 (31.8)
24	1.906 (48.4)	2.375 (60.3)	.715 (18.2)	1.000 (25.4)	1.375 (34.9)
28	1.906 (48.4)	2.625 (66.7)	.915 (23.2)	1.250 (31.8)	1.625 (41.3)
32	2.000 (50.8)	2.812 (71.4)	1.070 (27.2)	1.500 (38.1)	1.875 (47.6)

TABLE XI

Dash No.	Y Max	Z Max	Cable Range	
			Min	Max
03	.739 (18.8)	.812 (20.6)	.156 (4.0)	.219 (5.6)
04	.739 (18.8)	.937 (23.8)	.188 (4.8)	.312 (7.9)
06	.739 (18.8)	1.062 (27.0)	.281 (7.1)	.438 (11.1)
08	.739 (18.8)	1.188 (30.2)	.312 (7.9)	.531 (13.5)
10	.791 (20.1)	1.312 (33.3)	.375 (9.5)	.625 (15.9)
12	.880 (22.4)	1.562 (39.7)	.500 (12.7)	.750 (19.1)
16	.901 (22.9)	1.750 (44.5)	.625 (15.9)	.938 (23.8)
20	1.031 (26.2)	2.250 (57.2)	.938 (23.8)	1.250 (31.8)
24	1.250 (31.8)	2.375 (60.3)	1.000 (25.4)	1.375 (34.9)
28	1.250 (31.8)	2.625 (66.7)	1.250 (31.8)	1.625 (41.3)
32	1.312 (33.3)	2.812 (71.4)	1.500 (38.1)	1.875 (47.6)

- When maximum cable entry (page 21) is exceeded, Style 2 will be supplied. Dimensions E, F, G and H will not apply. Please consult factory.
- Metric dimensions (mm) are indicated in parentheses.
- Cable range is defined as the accommodations range for the wire bundle or cable. Dimensions shown are not intended for inspection criteria.
- Consult factory for shorter lengths on straight backshells.
- Interface O-Ring not supplied with connector designator A.
- Saddles are bottomed on Clamp Ears.