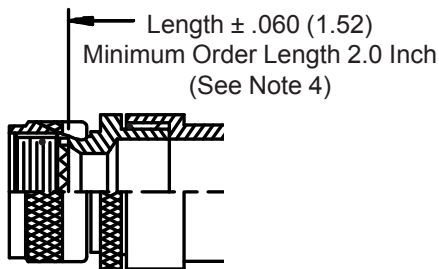
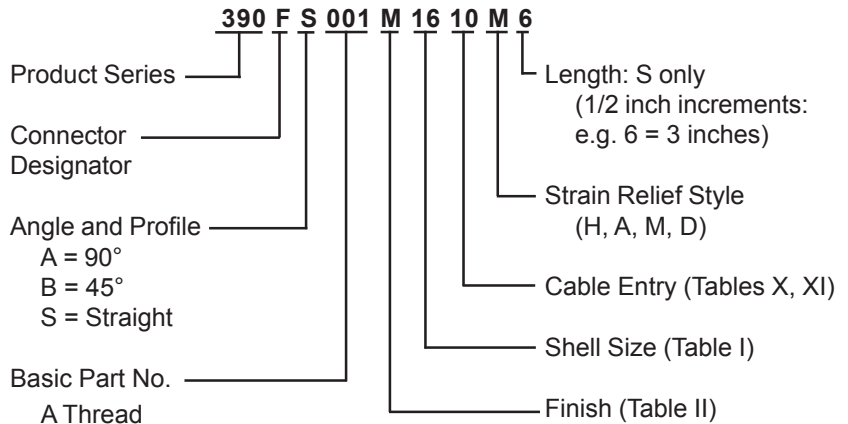
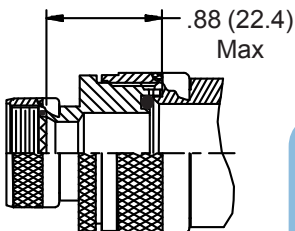


**CONNECTOR  
 DESIGNATORS  
 A-F-H-L-S  
 ROTATABLE  
 COUPLING**

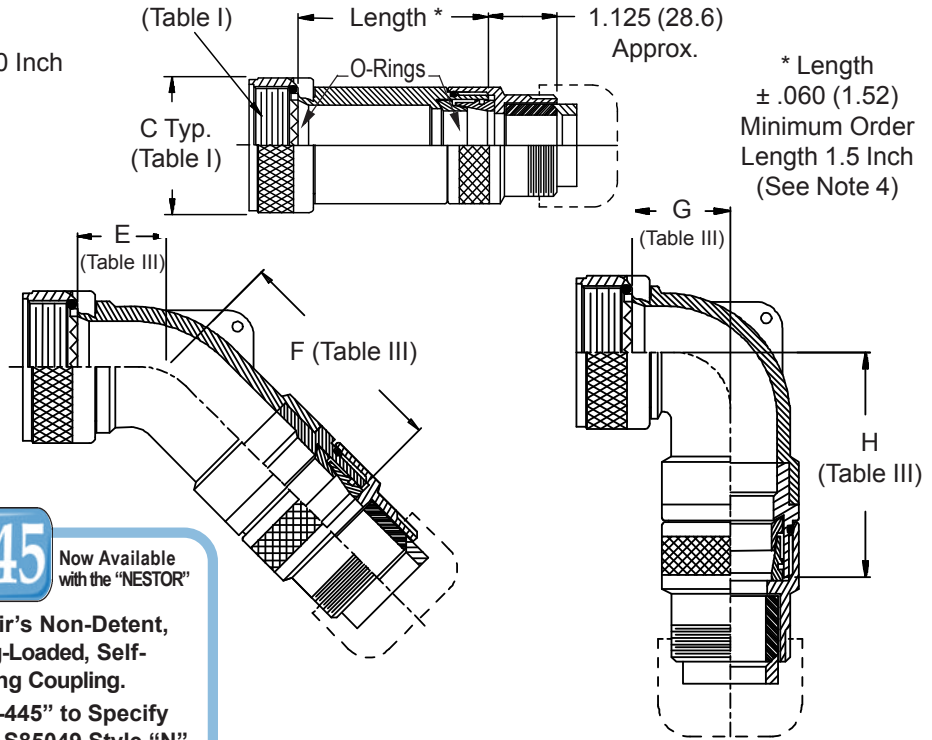
**TYPE A OVERALL  
 SHIELD TERMINATION**



**STYLE 2  
 (STRAIGHT)**  
 See Note 1)

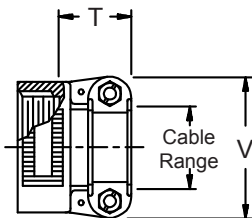


**STYLE 2  
 (45° & 90°)**  
 See Note 1)

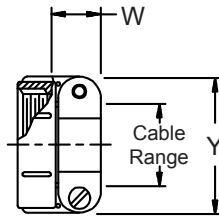


**-445** Now Available with the "NESTOR"  
 Glenair's Non-Detent, Spring-Loaded, Self-Locking Coupling.  
 Add "-445" to Specify This AS85049 Style "N" Coupling Interface.

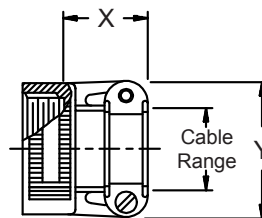
**STYLE H  
 Heavy Duty**  
 (Table X)



**STYLE A  
 Medium Duty**  
 (Table XI)



**STYLE M  
 Medium Duty**  
 (Table XI)



**STYLE D  
 Medium Duty**  
 (Table XI)

