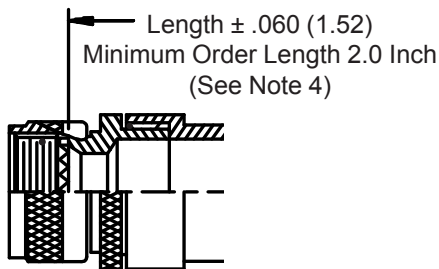
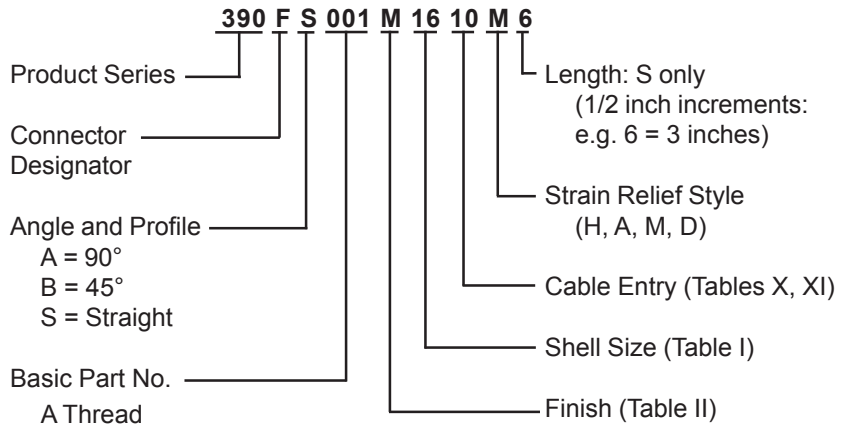


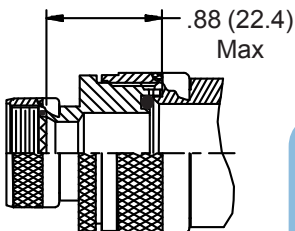
**CONNECTOR  
 DESIGNATORS  
 A-F-H-L-S**

**ROTATABLE  
 COUPLING**

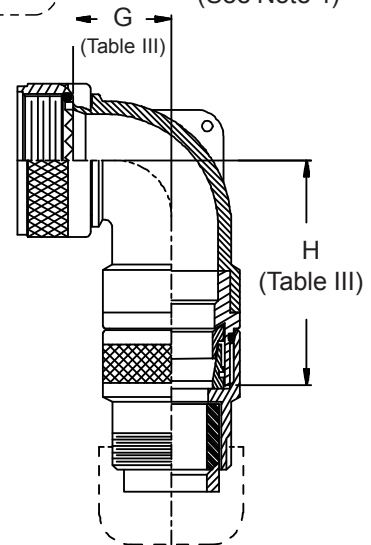
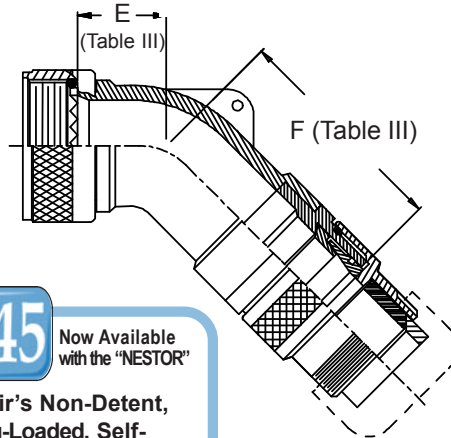
**TYPE A OVERALL  
 SHIELD TERMINATION**



**STYLE 2  
 (STRAIGHT)**  
 See Note 1)

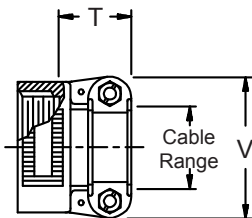


**STYLE 2  
 (45° & 90°)**  
 See Note 1)

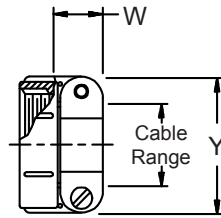


**-445** Now Available with the "NESTOR"  
 Glenair's Non-Detent, Spring-Loaded, Self-Locking Coupling.  
 Add "-445" to Specify This AS85049 Style "N" Coupling Interface.

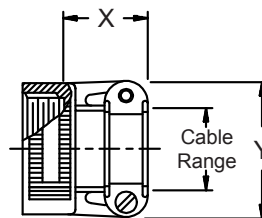
**STYLE H  
 Heavy Duty**  
 (Table X)



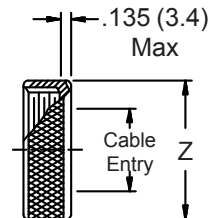
**STYLE A  
 Medium Duty**  
 (Table XI)



**STYLE M  
 Medium Duty**  
 (Table XI)



**STYLE D  
 Medium Duty**  
 (Table XI)



**390-001**  
**Submersible EMI/RFI Cable Sealing Backshell**  
with Strain Relief  
**Type A - Rotatable Coupling - Low Profile**



**TABLE III: ELBOW DIMENSIONS**

Shell Size		E Max	F Max	G Max	H Max
Conn. Desig.	A-F-L-S H				
08	09	.457 (11.6)	1.760 (44.7)	.500 (12.7)	1.880 (47.8)
10	11	.520 (13.2)	1.920 (48.8)	.595 (15.1)	1.990 (50.5)
12	13	.582 (14.8)	1.990 (50.5)	.610 (15.5)	2.020 (51.3)
14	15	.645 (16.4)	2.144 (54.5)	.700 (17.8)	2.154 (54.7)
16	17	.738 (18.7)	2.254 (57.3)	.885 (22.5)	2.244 (57.0)
18	19	.926 (23.5)	2.444 (62.1)	.975 (24.8)	2.414 (61.3)
20	21	.926 (23.5)	2.444 (62.1)	.975 (24.8)	2.414 (61.3)
22	23	1.020 (25.9)	2.657 (67.5)	1.125 (28.6)	2.587 (65.7)
24	25	1.020 (25.9)	2.657 (67.5)	1.125 (28.6)	2.587 (65.7)
28		1.145 (29.1)	2.690 (68.3)	1.225 (31.1)	2.740 (69.6)
32		1.207 (30.7)	2.790 (70.9)	1.575 (40.0)	2.990 (75.9)
36		1.238 (31.4)	2.930 (74.4)	1.775 (45.1)	3.040 (77.2)

1. When maximum cable entry (page 21) is exceeded, Style 2 will be supplied. Dimensions E, F, G and H will not apply. Please consult factory.
2. Metric dimensions (mm) are indicated in parentheses.
3. Cable range is defined as the accommodations range for the wire bundle or cable. Dimensions shown are not intended for inspection criteria.
4. Consult factory for shorter lengths on straight backshells.
5. Interface O-Ring not supplied with connector designator A.

**TABLE X: CABLE ENTRY**

Dash No.	T Max	V Max	Cable Range	
			Min	Max
04	.780 (19.8)	.957 (24.3)	.125 (3.2)	.312 (7.9)
06	.780 (19.8)	1.145 (29.1)	.250 (6.4)	.437 (11.1)
08	.780 (19.8)	1.332 (33.8)	.387 (9.8)	.562 (14.3)
10	.780 (19.8)	1.332 (33.8)	.350 (8.9)	.625 (15.9)
12	.811 (20.6)	1.551 (39.4)	.500 (12.7)	.750 (19.1)
16	.905 (23.0)	1.770 (45.0)	.625 (15.9)	.937 (23.8)
20	1.092 (27.7)	2.113 (53.7)	.875 (22.2)	1.250 (31.8)
24	1.124 (28.5)	2.363 (60.0)	1.000 (25.4)	1.375 (34.9)
28	1.399 (35.5)	2.770 (70.4)	1.250 (31.8)	1.625 (41.3)
32	1.399 (35.5)	3.020 (76.7)	1.437 (36.5)	1.875 (47.6)

**See inside back cover  
fold-out or pages 13 and  
14 for Tables I and II.**

**TABLE XI: CABLE ENTRY**

Dash No.	W Max	X Max	Y Max	Z Max	Cable Range	
					Min	Max
03*	.437 (11.1)	.760 (19.3)	.843 (21.4)	.630 (16.0)	.156 (4.0)	.250 (6.4)
04*	.437 (11.1)	.760 (19.3)	.906 (23.0)	.755 (19.2)	.188 (4.8)	.312 (7.9)
06*	.500 (12.7)	.760 (19.3)	1.093 (27.8)	.942 (23.9)	.281 (7.1)	.438 (11.1)
08	.563 (14.3)	.760 (19.3)	1.187 (30.1)	1.067 (27.1)	.387 (9.8)	.562 (14.3)
10	.563 (14.3)	.760 (19.3)	1.281 (32.5)	1.192 (30.3)	.375 (9.5)	.625 (15.9)
12	.563 (14.3)	.760 (19.3)	1.500 (38.1)	1.380 (35.1)	.438 (11.1)	.750 (19.1)
16	.656 (16.7)	1.073 (27.3)	1.719 (43.7)	1.535 (39.0)	.625 (15.9)	.938 (23.8)
20	.656 (16.7)	1.323 (33.6)	2.062 (52.4)	1.848 (46.9)	.875 (22.2)	1.250 (31.8)
24	.656 (16.7)	1.323 (33.6)	2.312 (58.7)	2.255 (57.3)	1.000 (25.4)	1.375 (34.9)
28	1.188 (30.2)	1.572 (39.9)	2.719 (69.1)	2.505 (63.6)	1.250 (31.8)	1.625 (41.3)
32*	1.187 (30.1)	1.572 (39.9)	2.969 (75.4)	2.755 (70.0)	1.437 (36.5)	1.875 (47.6)
40*	1.125 (28.6)	1.572 (39.9)	3.531 (89.7)	3.255 (82.7)	1.875 (47.6)	2.375 (60.3)

\* Not available in Style M clamp.