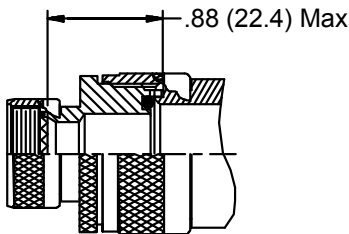
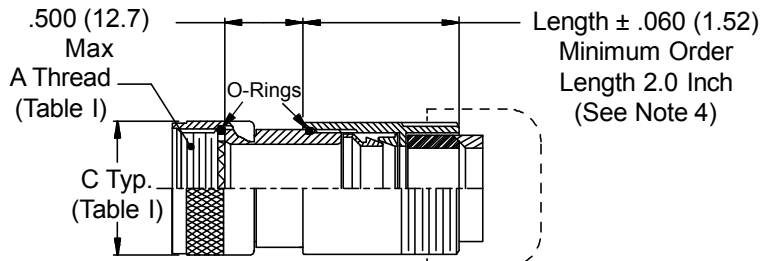
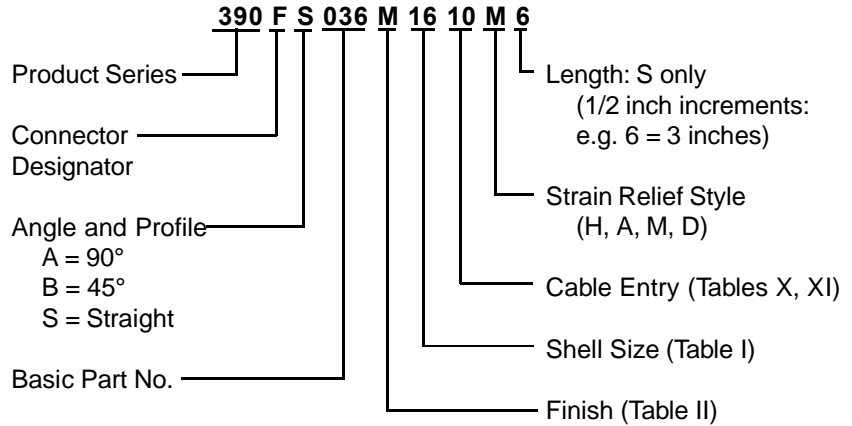
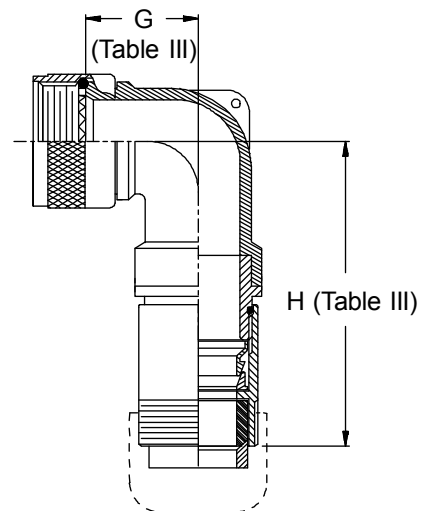
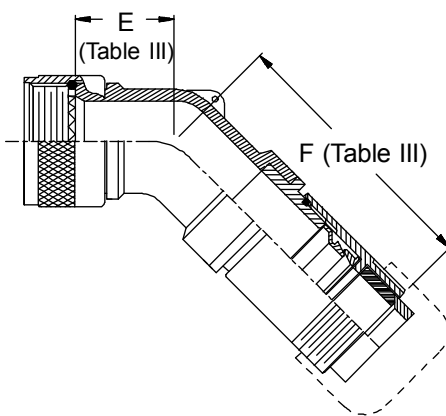


**CONNECTOR
 DESIGNATORS
 A-F-H-L-S
 ROTATABLE
 COUPLING**

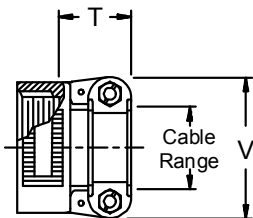
**TYPE G INDIVIDUAL
 AND/OR OVERALL
 SHIELD TERMINATION**



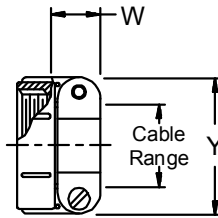
STYLE 2
 (45° & 90°
 See Note 1)



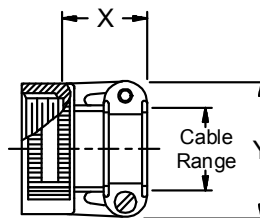
STYLE H
 Heavy Duty
 (Table X)



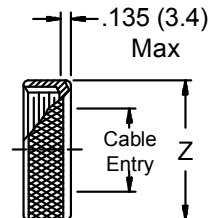
STYLE A
 Medium Duty
 (Table XI)



STYLE M
 Medium Duty
 (Table XI)



STYLE D
 Medium Duty
 (Table XI)



390-036
Submersible EMI/RFI Cable Sealing Backshell
 with Strain Relief
Type G - Rotatable Coupling - Low Profile



TABLE III

| Shell Size | | E | | F | | G | | H | |
|--------------|----|-------|--------|-------|---------|-------|--------|-------|---------|
| Conn. Desig. | H | Max | | Max | | Max | | Max | |
| A-F-L-S | | | | | | | | | |
| 08 | 09 | .457 | (11.6) | 3.460 | (87.9) | .500 | (12.7) | 3.460 | (87.9) |
| 10 | 11 | .520 | (13.2) | 3.520 | (89.4) | .595 | (15.1) | 3.590 | (91.2) |
| 12 | 13 | .582 | (14.8) | 3.580 | (90.9) | .610 | (15.5) | 3.610 | (91.7) |
| 14 | 15 | .645 | (16.4) | 3.900 | (99.1) | .700 | (17.8) | 3.910 | (99.3) |
| 16 | 17 | .738 | (18.7) | 4.010 | (101.9) | .885 | (22.5) | 4.000 | (101.6) |
| 18 | 19 | .926 | (23.5) | 4.200 | (106.7) | .975 | (24.8) | 4.170 | (105.9) |
| 20 | 21 | .926 | (23.5) | 4.200 | (106.7) | .975 | (24.8) | 4.170 | (105.9) |
| 22 | 23 | 1.020 | (25.9) | 4.350 | (110.5) | 1.125 | (28.6) | 4.280 | (108.7) |
| 24 | 25 | 1.020 | (25.9) | 4.350 | (110.5) | 1.125 | (28.6) | 4.280 | (108.7) |
| 28 | | 1.145 | (29.1) | 4.400 | (111.8) | 1.225 | (31.1) | 4.450 | (113.0) |
| 32 | | 1.207 | (30.7) | 4.500 | (114.3) | 1.575 | (40.0) | 4.700 | (119.4) |
| 36 | | 1.238 | (31.4) | 4.590 | (116.6) | 1.775 | (45.1) | 4.700 | (119.4) |

1. When maximum cable entry (page 21) is exceeded, Style 2 will be supplied. Dimensions E, F, G and H will not apply. Please consult factory.
2. Metric dimensions (mm) are indicated in parentheses.
3. Cable range is defined as the accommodations range for the wire bundle or cable. Dimensions shown are not intended for inspection criteria.
4. Consult factory for shorter lengths on straight backshells.
5. Interface O-Ring not supplied with connector designator A.

TABLE X

| Dash No. | T Max | V Max | Cable Range | | | |
|----------|--------------|--------------|--------------|--------------|-----|--|
| | | | Min | | Max | |
| 04 | .780 (19.8) | .957 (24.3) | .125 (3.2) | .312 (7.9) | | |
| 06 | .780 (19.8) | 1.145 (29.1) | .250 (6.4) | .437 (11.1) | | |
| 08 | .780 (19.8) | 1.332 (33.8) | .387 (9.8) | .562 (14.3) | | |
| 10 | .780 (19.8) | 1.332 (33.8) | .350 (8.9) | .625 (15.9) | | |
| 12 | .811 (20.6) | 1.551 (39.4) | .500 (12.7) | .750 (19.1) | | |
| 16 | .905 (23.0) | 1.770 (45.0) | .625 (15.9) | .937 (23.8) | | |
| 20 | 1.092 (27.7) | 2.113 (53.7) | .875 (22.2) | 1.250 (31.8) | | |
| 24 | 1.124 (28.5) | 2.363 (60.0) | 1.000 (25.4) | 1.375 (34.9) | | |
| 28 | 1.399 (35.5) | 2.770 (70.4) | 1.250 (31.8) | 1.625 (41.3) | | |
| 32 | 1.399 (35.5) | 3.020 (76.7) | 1.437 (36.5) | 1.875 (47.6) | | |

**See inside back cover
 fold-out or pages 13 and
 14 for Tables I and II.**

TABLE XI

| Dash No. | W Max | X Max | Y Max | Z Max | Cable Range | |
|----------|--------------|--------------|--------------|--------------|--------------|--------------|
| | | | | | Min | Max |
| 03* | .437 (11.1) | .760 (19.3) | .843 (21.4) | .630 (16.0) | .156 (4.0) | .250 (6.4) |
| 04* | .437 (11.1) | .760 (19.3) | .906 (23.0) | .755 (19.2) | .188 (4.8) | .312 (7.9) |
| 06* | .500 (12.7) | .760 (19.3) | 1.093 (27.8) | .942 (23.9) | .281 (7.1) | .438 (11.1) |
| 08 | .563 (14.3) | .760 (19.3) | 1.187 (30.1) | 1.067 (27.1) | .387 (9.8) | .562 (14.3) |
| 10 | .563 (14.3) | .760 (19.3) | 1.281 (32.5) | 1.192 (30.3) | .375 (9.5) | .625 (15.9) |
| 12 | .563 (14.3) | .760 (19.3) | 1.500 (38.1) | 1.380 (35.1) | .438 (11.1) | .750 (19.1) |
| 16 | .656 (16.7) | 1.073 (27.3) | 1.719 (43.7) | 1.535 (39.0) | .625 (15.9) | .938 (23.8) |
| 20 | .656 (16.7) | 1.323 (33.6) | 2.062 (52.4) | 1.848 (46.9) | .875 (22.2) | 1.250 (31.8) |
| 24 | .656 (16.7) | 1.323 (33.6) | 2.312 (58.7) | 2.255 (57.3) | 1.000 (25.4) | 1.375 (34.9) |
| 28 | 1.188 (30.2) | 1.572 (39.9) | 2.719 (69.1) | 2.505 (63.6) | 1.250 (31.8) | 1.625 (41.3) |
| 32* | 1.187 (30.1) | 1.572 (39.9) | 2.969 (75.4) | 2.755 (70.0) | 1.437 (36.5) | 1.875 (47.6) |
| 40* | 1.125 (28.6) | 1.572 (39.9) | 3.531 (89.7) | 3.255 (82.7) | 1.875 (47.6) | 2.375 (60.3) |

* Not available in Style M clamp.